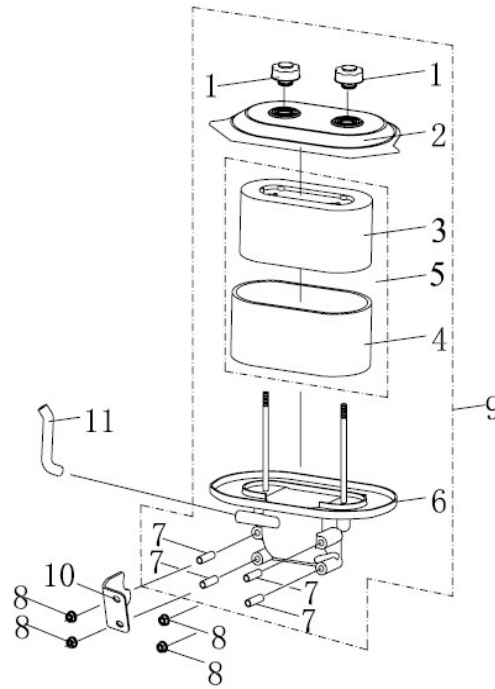




ILLUSTRATED PARTS LIST

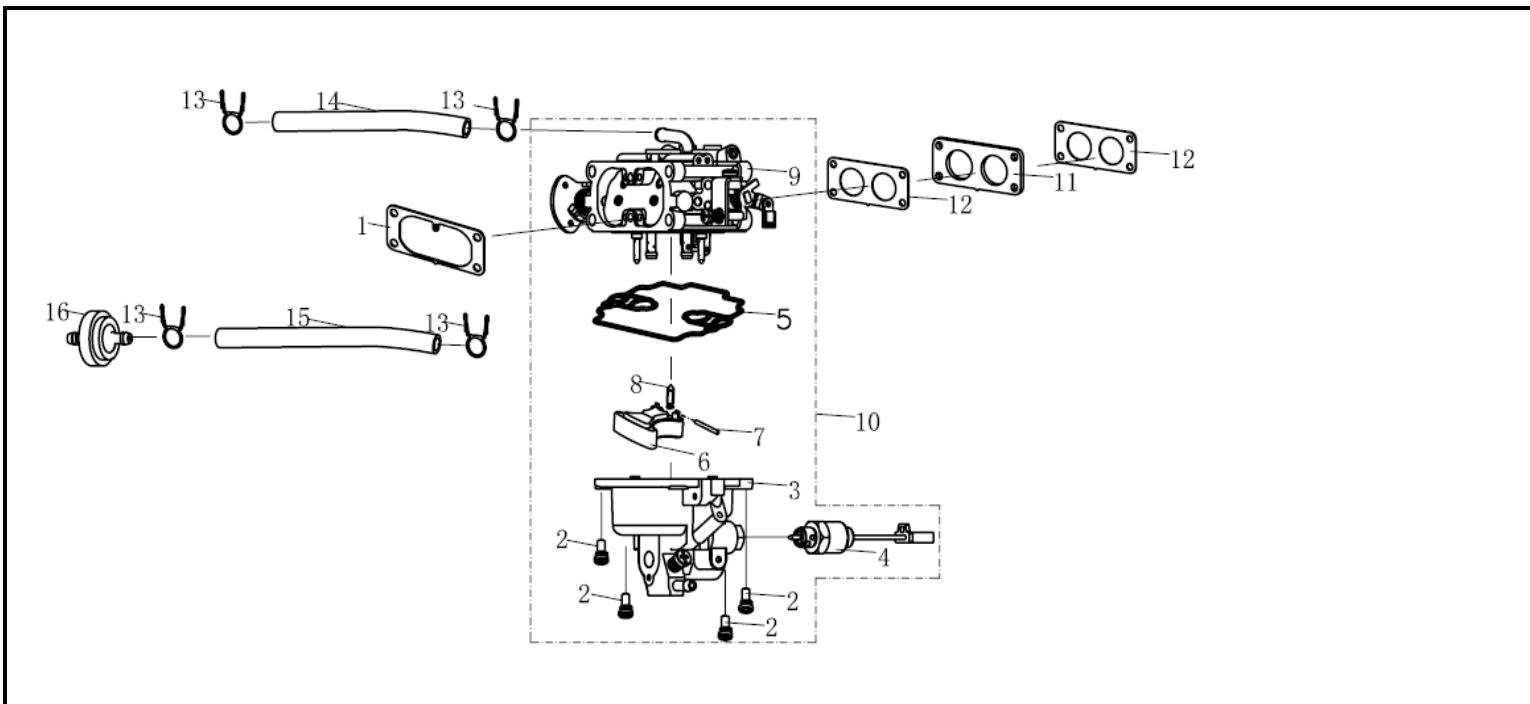
LC2P77F
LC2P80F
LC2P82F





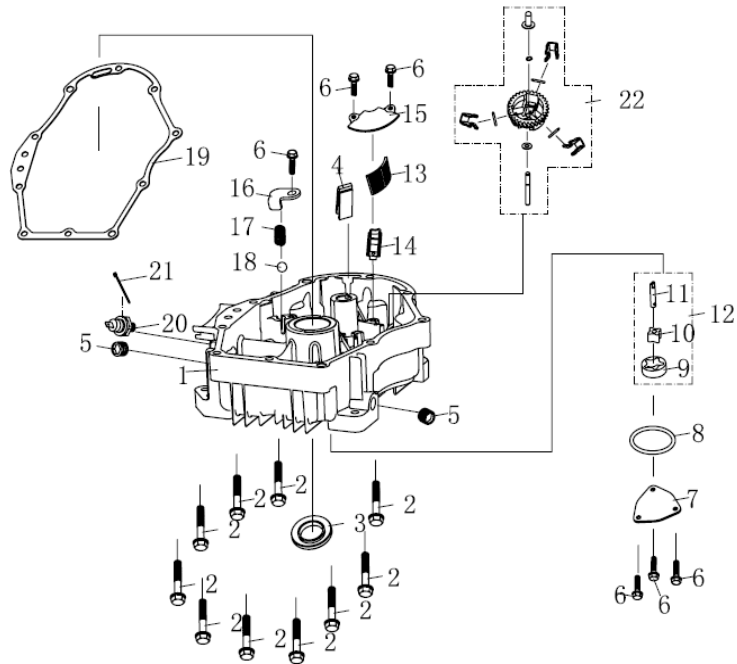
Air Cleaner

No.	Part No.	Description	Reqd. QTY		
			2P77F	2P80F	2P82F
1	LON180270005-T390	Handle,air cleaner bolt	2	2	2
2	LON180070135-T390	Cover,air cleaner	1	1	1
3	LON180130206-T390	Element	1	1	1
4	LON180130207-T390	Filter,outer	1	1	1
5	LON180130175-T390	Element,left	1	1	1
6	LON180280024-T390	Elbow,air cleaner	1	1	1
7	LON380822310-T390	Collar,long	4	4	4
8	LON380370066-0001	Nut	4	4	4
9	LON180020538-T390	Air cleaner assy	1	1	1
10	LON180220014-T390	Air filter plate	1	1	1
11	LON380740632-T390	Tube,breather	1	1	1



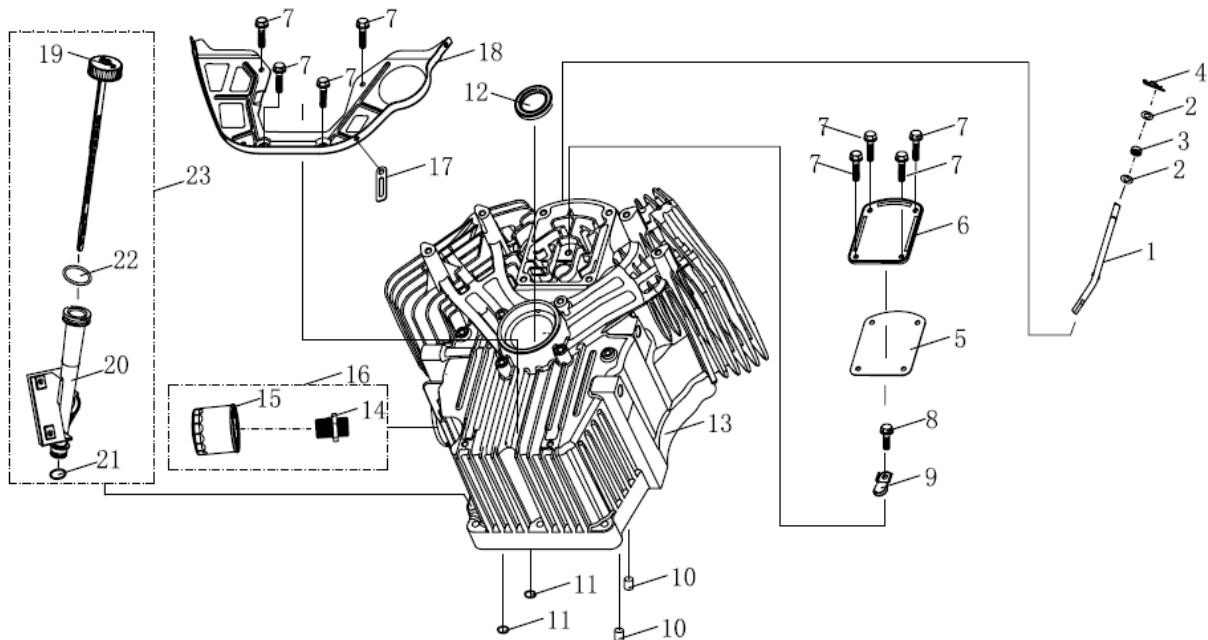
Carburetor

No.	Part No.	Description	Reqd. QTY		
			2P77F	2P80F	2P82F
1	LON170430108-T390	Packing,carburetor	1	1	1
2	LON380670010-T390	Screw/elastic gasket	4	4	4
3	LON170240030-T390	Oil cup	1	1	1
4	LON170420003-T390	Solenoid valve	1	1	1
5	LON170050030-T390	Oil cup gasket	1	1	1
6	LON170280032-T390	Float	1	1	1
7	LON170290030-T390	Pin,float	1	1	1
8	LON170180044-T390	Valve float	1	1	1
9	LON170160081-T400	Noumenon,carburetor	1	-	-
	LON170160080-T390	Noumenon,carburetor	-	1	-
	LON170160082-T410	Noumenon,carburetor	-	-	1
10	LON170020901-T400	Carburetor	1	-	-
	LON170020882-T390	Carburetor	-	1	-
	LON170020902-T410	Carburetor	-	-	1
11	LON170440073-T390	Insulatir,carburetor	1	1	1
12	LON170430107-T390	Packing,carburetor	2	2	2
13	LON380950193-T370	Tube	4	4	4
14	LON380750366-T390	Oil pipeline11x6.5x180	1	1	1
15	LON380750367-T390	Oil pipeline11x6.5x450	1	1	1
16	LON170010018-T370	Strainer,fuel	1	1	1



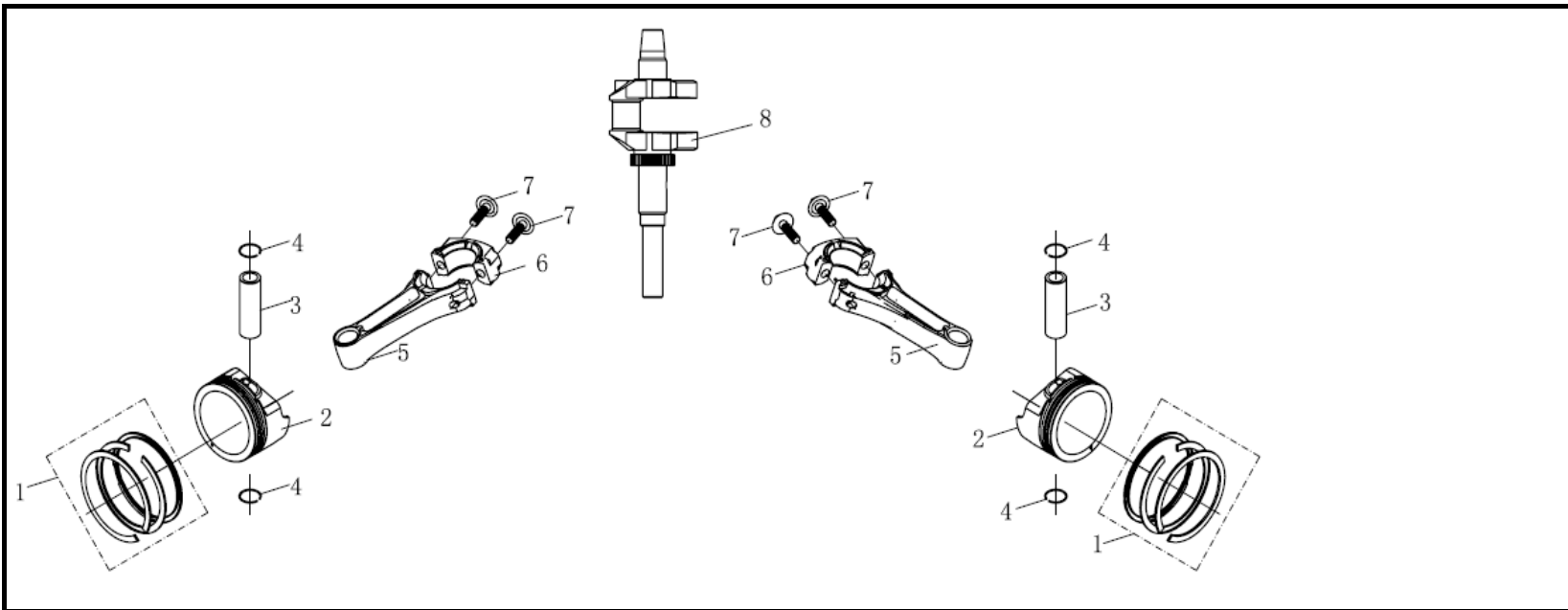
Crankcase Cover

No.	Part No.	Description	Reqd. QTY		
			2P77F	2P80F	2P82F
1	110820049-T390	Cover, breather side	1	1	1
2	380140338-0001	Bolt, flange M8×55	10	10	10
3	380650436-T390	Oil seal, φ35×φ62×8	1	1	1
4	150570003-T370	Rubber, oil deflector	1	1	1
5	110260026-T370	Drain bolt 3/8-18 nptf	2	2	2
6	380140013-0005	Bolt, flange M6×16	6	6	6
7	150040025-T390	Oil pump cover	1	1	1
8	380840665-T390	Seal ring, oil pump 47×3.5	1	1	1
9	150060031-T390	Rotor, outer	1	1	1
10	150050032-T390	Rotor, inner	1	1	1
11	150080033-T390	Shaft oil pump	1	1	1
12	150010061-T390	Pump, oil	1	1	1
13	150290019-T390	Oil strainer	1	1	1
14	120530005-T390	Oil baffle plate	1	1	1
15	150340012-T390	Cover, oil strainer	1	1	1
16	120530006-T390	Oil baffle plate	1	1	1
17	381150437-T390	Compression spring	1	1	1
18	380640016-0001	Ball	1	1	1
19	110830034-T390	Gasket case cover	1	1	1
20	283690002-T390	Oil level strainer	1	1	1
21	380900062-T561	Hoop with	1	1	1
22	171750017-T390	Shaft governor	1	1	1



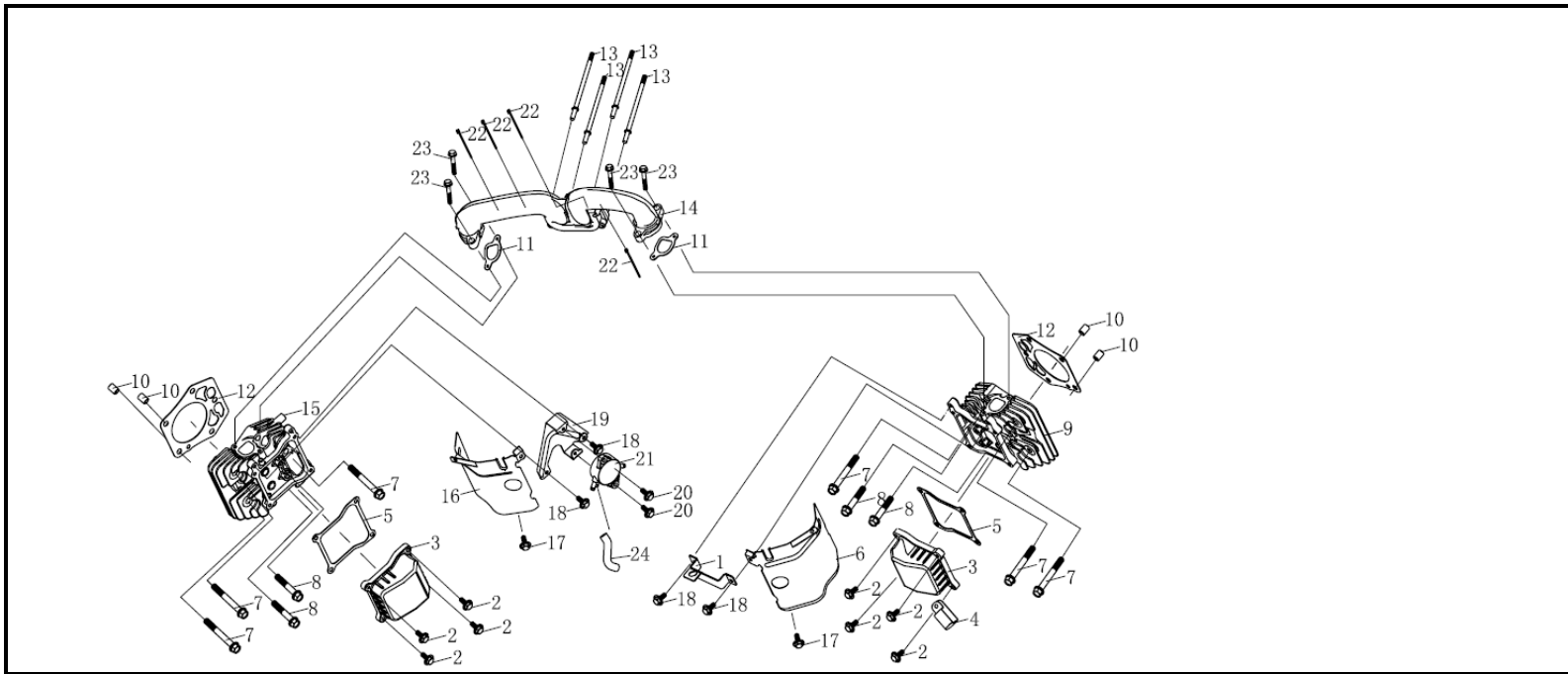
Crankcase

No.	Part No.	Description	Reqd. QTY		
			2P77F	2P80F	2P82F
1	171630013-T390	Shaft,governor arm	1	1	1
2	380450559-T370	Washer	2	2	2
3	380650339-T110	Oil seal	1	1	1
4	381350004-T040	Pin,lock	1	1	1
5	110850012-T390	Packing,breather chamber	1	1	1
6	110840013-T390	Cap,breather chamber	1	1	1
7	380140013-0005	Bolt,flange M6×16	8	8	8
8	380140067-0003	Bolt,flange M6×12	1	1	1
9	140250008-T390	Reed valve	1	1	1
10	380600123-T370	Pin dowel	2	2	2
11	380840443-T370	O-ring 12×2.5	2	2	2
12	380650337-T110	Oil seal,φ35×φ52×7	1	1	1
13	110810123-T400	Crank case comp	1	-	-
	110810095-T390	Crank case comp	-	1	-
	110810124-T410	Crank case comp	-	-	1
14	150830001-T390	Tie-in,oil filter	1	1	1
15	150820001-T390	Oil filter	1	1	1
16	150350023-T390	Oil filter	1	1	1
17	380940346-T560	Clamp	1	1	1
18	160200038-T390	Holder shield	1	1	1
19	110700060-T390	Ruler comp	1	1	1
20	110710007-T390	Bracket oil level gauge	1	1	1
21	380840753-T390	O-ring 18×2.65	1	1	1
22	380840738-T390	O-ring 19.5×2.65	1	1	1
23	110690043-T390	Cap,assy	1	1	1



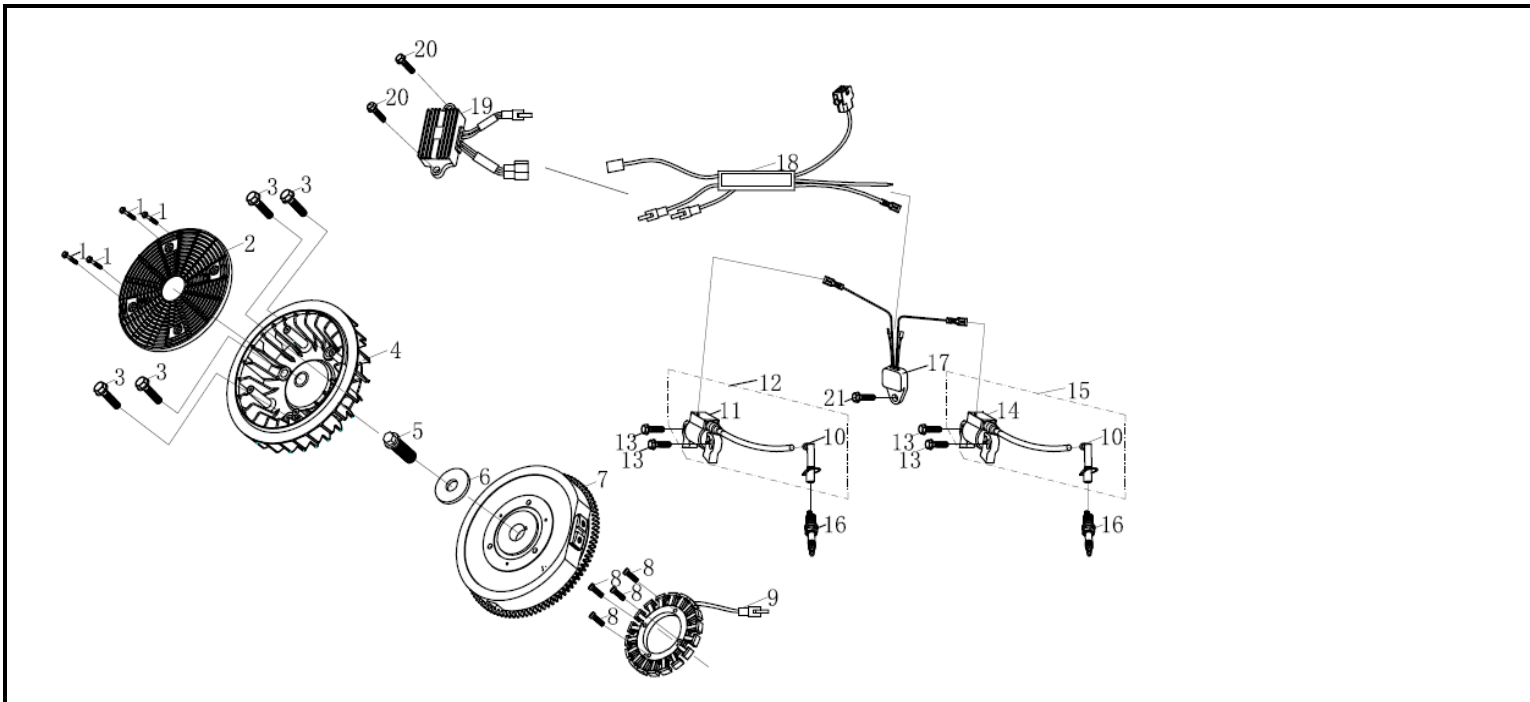
Crankshaft/Piston

No.	Part No.	Description	Reqd. QTY		
			2P77F	2P80F	2P82F
1	130070081-T090	Ring set	2	-	-
	130070109-T180	Ring set	-	2	-
	130070082-T100	Ring set	-	-	2
2	130030155-T400	Piston	2	-	-
	130030129-T390	Piston	-	2	-
	130030156-T410	Piston	-	-	2
3	130060054-T390	Pin,piston	2	2	2
4	380560078-T390	Clip,piston pin	4	4	4
5	130160019-T390	Connecting rod	2	2	2
6	130170018-T390	Connecting rod cover	2	2	2
7	130180010-T390	Bolt,connecting rod	4	4	4
8	130290226-T390	Crankshaft comp	1	1	1



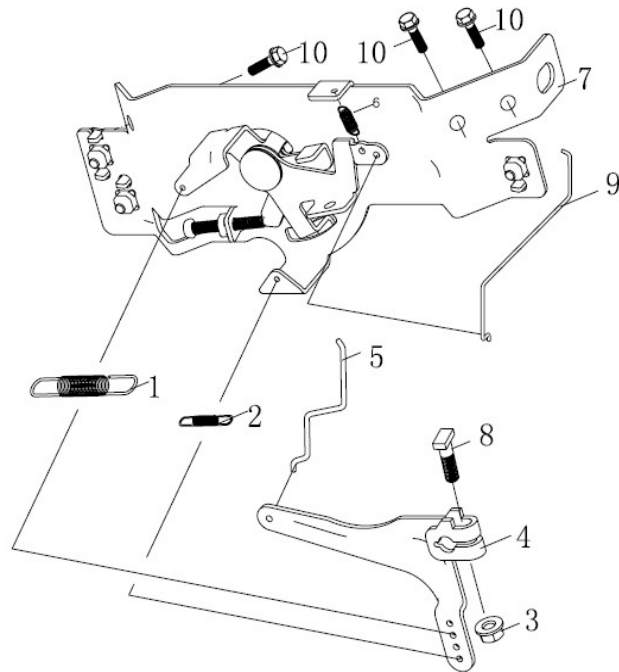
Cylinder Head

No.	Part No.	Description	Reqd. QTY		
			2P77F	2P80F	2P82F
1	120550003-T390	Lifting eye	1	1	1
2	380140103-0004	Bolt,flange M6×25	8	8	8
3	120220025-T390	Cover comp.,head,left	2	2	2
4	380940461-T390	Clamp	1	1	1
5	120250023-T390	Packing,head cover	2	2	2
6	160190036-T390	Shroud comp	1	1	1
7	380140455-T390	Bolt,flange M10×70	6	6	6
8	380140456-T390	Bolt,flange M10×50	4	4	4
9	120080388-T390	Head comp.,cylinder	1	1	1
10	380600129-T130	Pin,dowel 12×15	4	4	4
11	170430106-T390	Packing,carburetor	2	2	2
12	120150148-T400	Gasket,cylinder	2	-	-
	120150130-T390	Gasket,cylinder	-	2	-
	120150149-T410	Gasket,cylinder	-	-	2
13	380180130-T390	Bolt,stud	4	4	4
14	180420489-T390	Inlet pipe	1	1	1
15	120080389-T390	Head comp.,cylinder	1	1	1
16	160190037-T390	Shroud comp	1	1	1
17	380140067-0003	Bolt,flange M6×12	2	2	2
18	380140013-0005	Bolt,flange M6×16	4	4	4
19	170470006-T390	Bracket pump	1	1	1
20	380140086-0002	Bolt,flange M6×22	2	2	2
21	170460002-T370	Fuel pump	1	1	1
22	380900061-T560	Hoop with	4	4	4
23	380140100-0003	Bolt,flange M6×35	4	4	4
24	380740633-0001	Tube breather	1	1	1



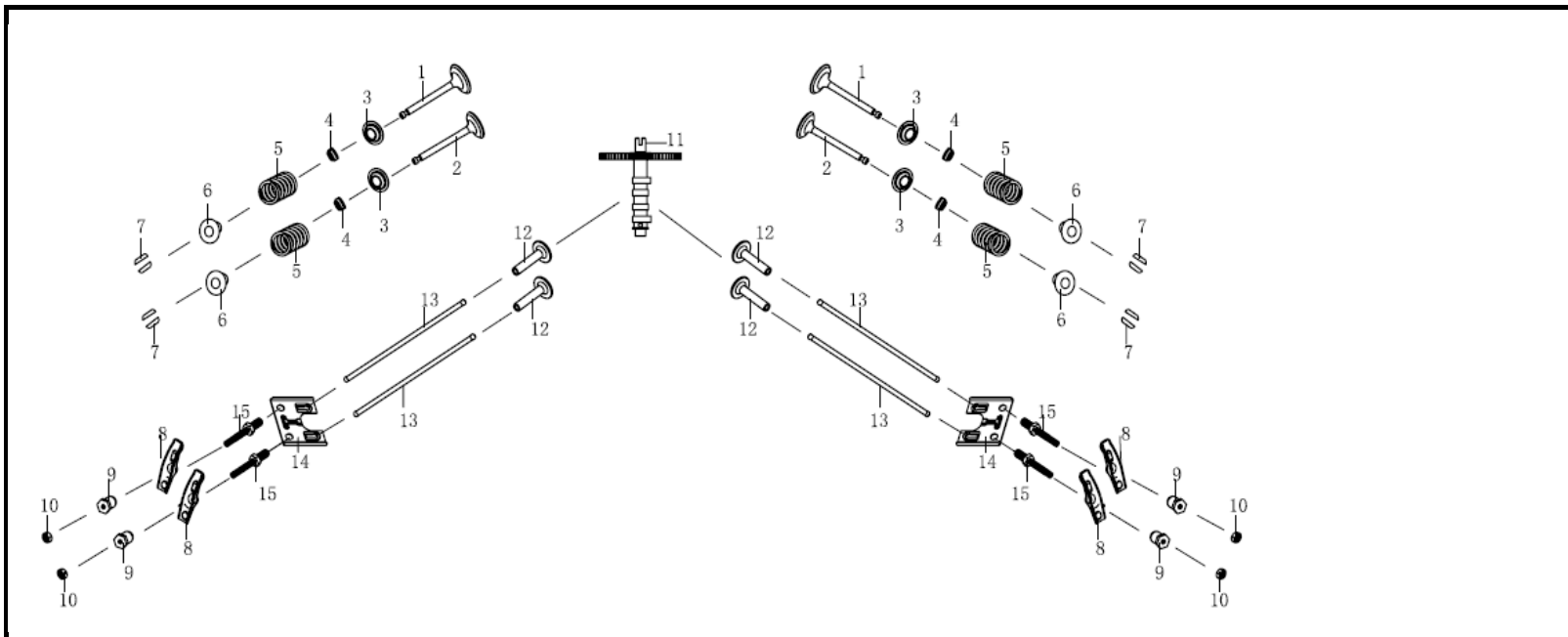
Flywheel/Coil Assy.

No.	Part No.	Description	Reqd. QTY		
			2P77F	2P80F	2P82F
1	380140049-0003	Bolt,flange M5×16	4	4	4
2	160850001-T390	Cover fan	1	1	1
3	380140451-0001	Bolt,flange M8×20	4	4	4
4	160180020-T390	Fan,cooling	1	1	1
5	380140457-T390	Bolt,flange M12×35	1	1	1
6	380450702-T390	Washer 13×38×3,5	1	1	1
7	270020144-T390	Flywheel comp	1	1	1
8	380190039-0005	Hexagon bolt	4	4	4
9	270190010-T390	Coil assy,charge	1	1	1
10	270950067-T390	Rubber,spark plug cap	2	2	2
11	270930043-T390	Coil,ignition	1	1	1
12	270920225-T390	Coil assy,ignition	1	1	1
13	380140086-0002	Bolt,flange M6×22	4	4	4
14	270930044-T390	Coil,ignition	1	1	1
15	270920224-T390	Coil assy,ignition	1	1	1
16	270960014-0001	Spark plug	2	2	2
17	273020002-T390	Stoping isolator	1	1	1
18	271280019-T390	Output wire,rectifier	1	1	1
19	271930008-T390	Rectifier	1	1	1
20	380140013-0005	Bolt,flange M6×16	2	2	2
21	380140067-0003	Bolt,flange M6×12	1	1	1



Governor

No.	Part No.	Description	Reqd. QTY		
			2P77F	2P80F	2P82F
1	171600032-T390	Spring,governor	1	1	1
2	381140428-0001	Extension spring	1	1	1
3	380370066-0001	Nut,flange M6	1	1	1
4	171620019-T390	Arm,governor	1	1	1
5	171590019-T390	Rod,governor	1	1	1
6	171610017-T390	Throttle return spring	1	1	1
7	171680058-T390	Contorl assy	1	1	1
8	380250002-T040	Bolt,governor arm	1	1	1
9	171650017-T390	Rod,throttle	1	1	1
10	380140013-0005	Bolt M6×16	3	3	3



Valve

No.	Part No.	Description	Reqd. QTY		
			2P77F	2P80F	2P82F
1	140300057-T390	Valve,IN.	2	2	2
2	140310057-T390	Valve,EX.	2	2	2
3	140360010-T110	Seat,valve spring	4	4	4
4	140400012-T110	Seal,valve stem	4	4	4
5	140340025-T11D	Spring,valve	4	4	4
6	140380021-T11D	Retainer,ex.valve spring	4	4	4
7	140390015-T11D	Valve keeper	8	8	8
8	140460036-T390	Rocker arm	4	4	4
9	140490012-T040	Pivot rocker arm	4	4	4
10	140470001-T040	Nut,pivot adjusting	4	4	4
11	140020072-T390	Camshaft	1	1	1
12	140690017-T390	Lifter,valve	4	4	4
13	140670021-T390	Rod push	4	4	4
14	140710010-T390	Plate,assy	2	2	2
15	140480012-T040	Bolt povit	4	4	4