



ILLUSTRATED PARTS LIST

LC1P61FA

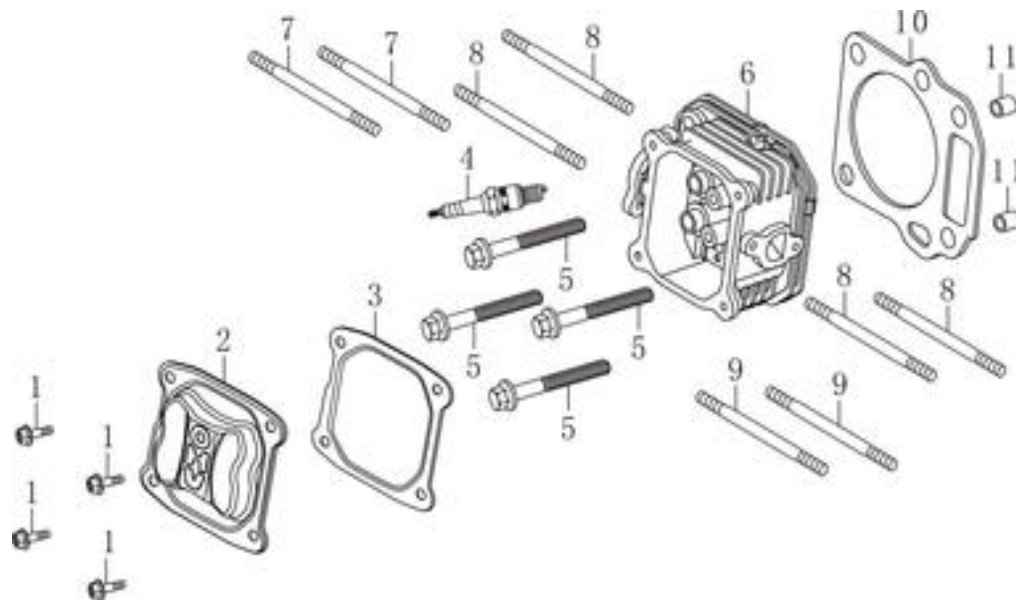
LC1P70FA

LC1P65FA

LC1P70F

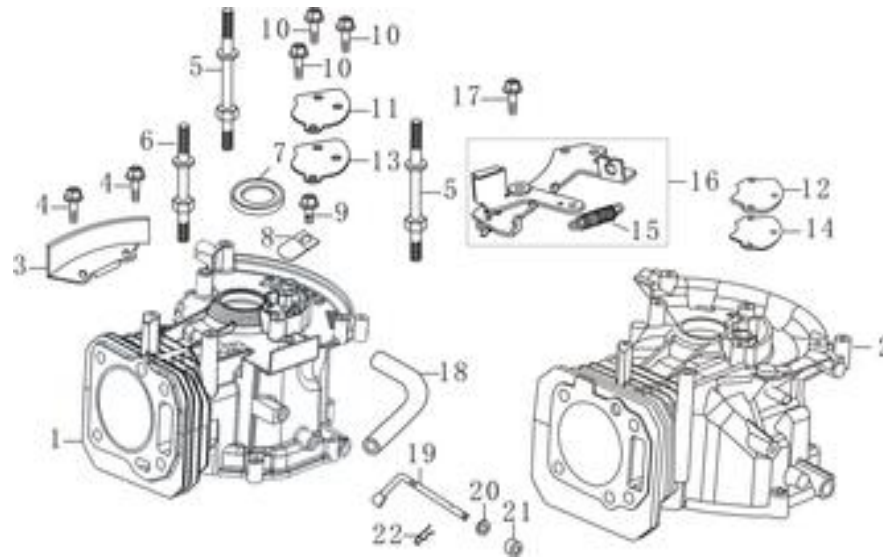
LC1P68FA





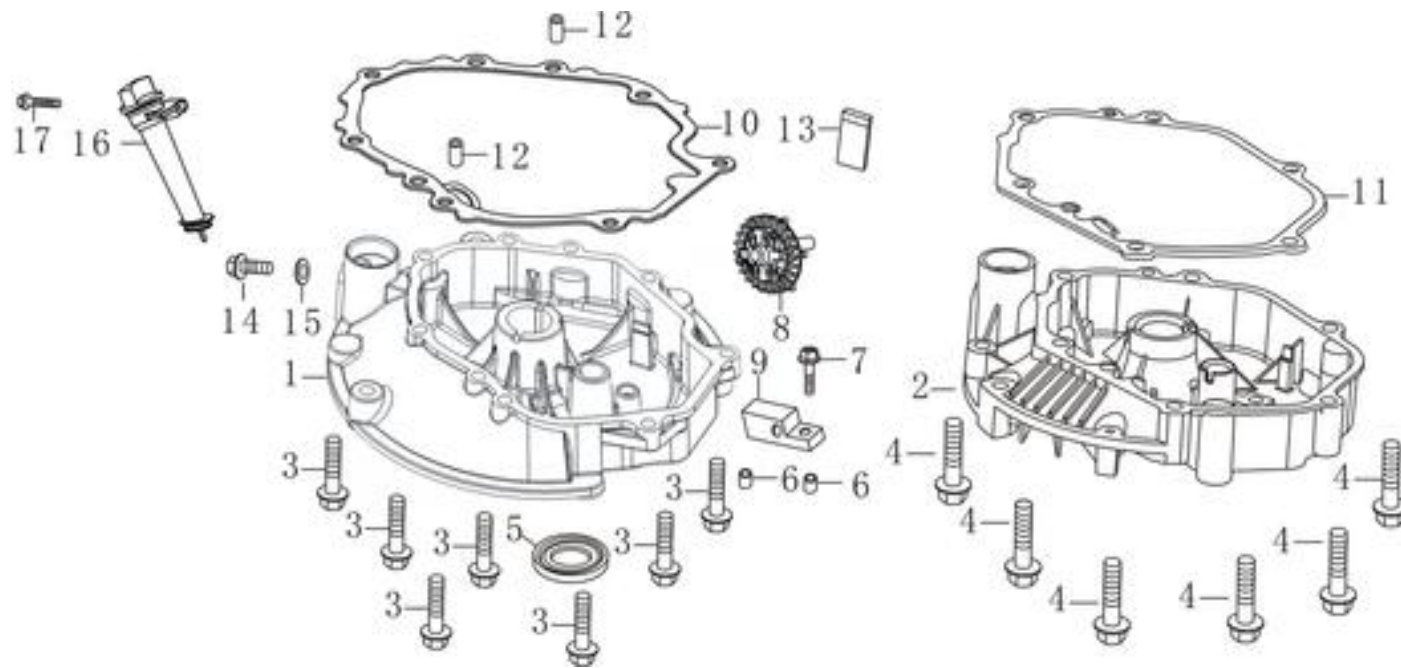
Cylinder head

No.	Part No.	Description	Reqd. QTY.				
			1P61FA	1P65FA	1P68FA	1P70FA	1P70F
1	LON380020070-0001	HEXAGON SHOULDER BOLT	4	4	4	4	4
2	LON120230083-0001	COVER COMP. HEAD	1	1	1	1	1
3	LON120250032-0001	PACKING, HEAD COVER	1	1	1	1	1
4	LON270960025-0001	PLUG, SPARK F7TC	1	1	1	1	1
5	LON380140339-0001	BOLT, CONNECTING, ROD M8*50	4	4	/	/	/
	LON380140338-0001	BOLT, CONNECTING, ROD M8*55	/	/	4	4	4
6	LON120080288-0001	HEAD COMP, CYLINDER	1	1	/	/	/
	LON120080279-0001	HEAD COMP, CYLINDER	/	/	1	1	1
7	LON380180114-0001	BOLT, STUD M6*89	2	2	/	/	/
8	LON380180101-0001	BOLT, STUD M6*95	2	2	2	2	2
9	LON380180089-0001	BOLT, STUD M6*103	/	/	2	2	2
10	LON120150089-0001	GASKET, CYLINDER	1	/	/	/	/
	LON120150086-0001	GASKET, CYLINDER	/	1	/	/	/
	LON120150088-0001	GASKET, CYLINDER	/	/	1	/	/
10	LON120150087-0001	GASKET, CYLINDER	/	/	/	1	1
11	LON380600117-0001	PIN, DOWEL, 10*14	2	2	2	2	2



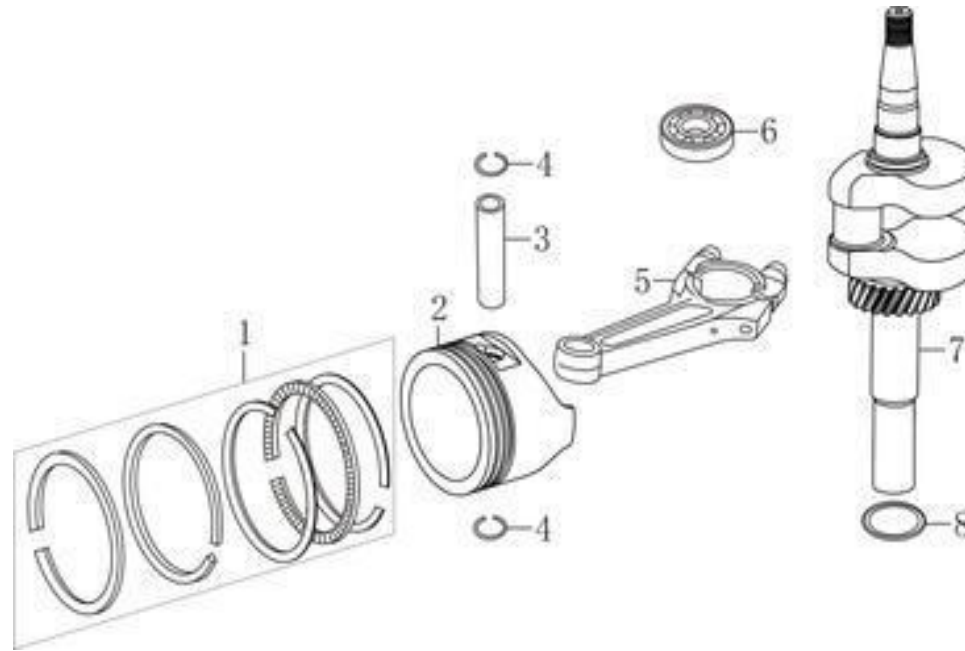
Crankcase

No.	Part No.	Description	Reqd. QTY.				
			1P61FA	1P65FA	1P68FA	1P70FA	1P70F
1	LON110810143-0001	CRANK CASE	1	/	/	/	/
	LON110810149-0001	CRANK CASE	/	1	/	/	/
2	LON110810032-0001	CRANK CASE	/	/	1	/	/
	LON110810031-0001	CRANK CASE	/	/	/	1	/
	LON110810122-0001	CRANK CASE	/	/	/	/	1
3	LON160200032-0001	SHIELD,TANK SIDE	1	1	1	1	1
4	LON380140013-0005	BOLT,FLANGE M6*16	2	2	2	2	2
5	LON380850006-0001	BOLT,STUD 6*85	2	2	2	2	2
6	LON380850002-0001	BOLT,STUD 6*78.5	1	1	1	1	1
7	LON380650335-0001	OIL SEAL 25*38*7	1	1	1	1	1
8	LON140250006-0001	REED VALVE	1	1	1	1	1
9	LON380140011-0004	BOLT,FLANGE M6*10	1	1	1	1	1
10	LON380140441-0001	BOLT,FLANGE M6*14	3	3	3	3	3
11	LON110840010-0001	CAP,BREATHER CHAMBER	1	1	/	/	/
12	LON110840011-0001	CAP,BREATHER CHAMBER	/	/	1	1	1
13	LON110850010-0001	PACKING, BREATHER CHAMBER	1	1	/	/	/
14	LON110850011-0001	PACKING, BREATHER CHAMBER	/	/	1	1	1
15	LON381140388-0001	SPRING,IDLE CONTROLLER	1	1	1	1	1
16	LON293030005-0001	FLYWHEEL BRAKE	1	1	1	1	1
17	LON380140086-0002	BOLT,FLANGE M6*22	1	1	1	1	1
18	LON380740522-0001	TUBE, BREATHER	1	1	/	/	/
	LON380740565-0001	TUBE, BREATHER	/	/	1	1	/
	LON380740574-0001	TUBE, BREATHER	/	/	/	/	1
19	LON171630010-0001	SHAFT,GOVERNOR ARM	1	1	1	1	1
20	LON380450527-0001	WASHER 6*13*1	1	1	1	1	1
21	LON380650338-0001	OIL SEAL 6*11*4	1	1	1	1	1



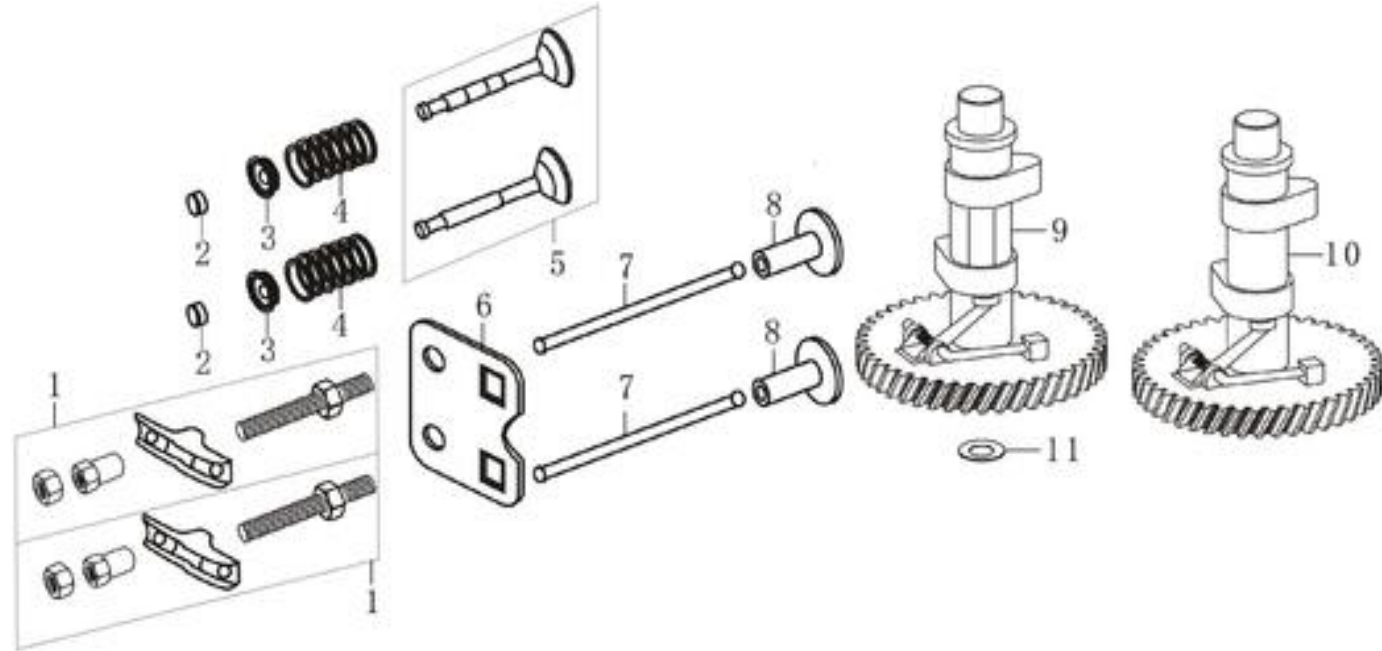
Crankcase cover

No.	Part No.	Description	Reqd. QTY.				
			1P61FA	1P65FA	1P68FA	1P70FA	1P70F
1	LON110820038-0001	CASE COVER	1	1	/	/	/
2	LON110820026-0001	CASE COVER	/	/	1	1	/
	LON110820019-0001	CASE COVER	/	/	/	/	1
3	LON380140024-0006	BOLT,FLANGE M6*28	7	7	/	/	/
4	LON380140148-0005	BOLT,FLANGE M8*50	/	/	6	6	6
5	LON380650347-0001	OIL SEAL	1	1	1	1	1
6	LON380600121-0001	PIN,DOWEL 8*10	2	2	2	2	2
7	LON380140077-0005	BOLT,FLANGE M6*20	1	1	1	1	1
8	LON171750013-0001	GOVERNOR COMP	1	1	1	1	1
9	LON171640003-0001	GOVERNOR ASSY	1	1	1	1	1
10	LON110830039-0001	PACKING,CASE COVER	1	1	/	/	/
11	LON110830040-0001	PACKING,CASE COVER	/	/	1	1	1
12	LON380600120-0001	PIN,DOWEL 8*14	2	2	2	2	2
13	LON150570002-0001	RUBBER,OIL DEFLECTOR	1	1	1	1	1
14	LON110260025-0001	DRAIN BOLT	1	1	1	1	1
15	LON380450514-0001	WASHER 10*16*1.5	1	1	1	1	1
16	LON110690016-0001	CAP ASSY	1	1	1	1	1
17	LON380140100-0003	BOLT,FLANGE M6*35	1	1	1	1	1



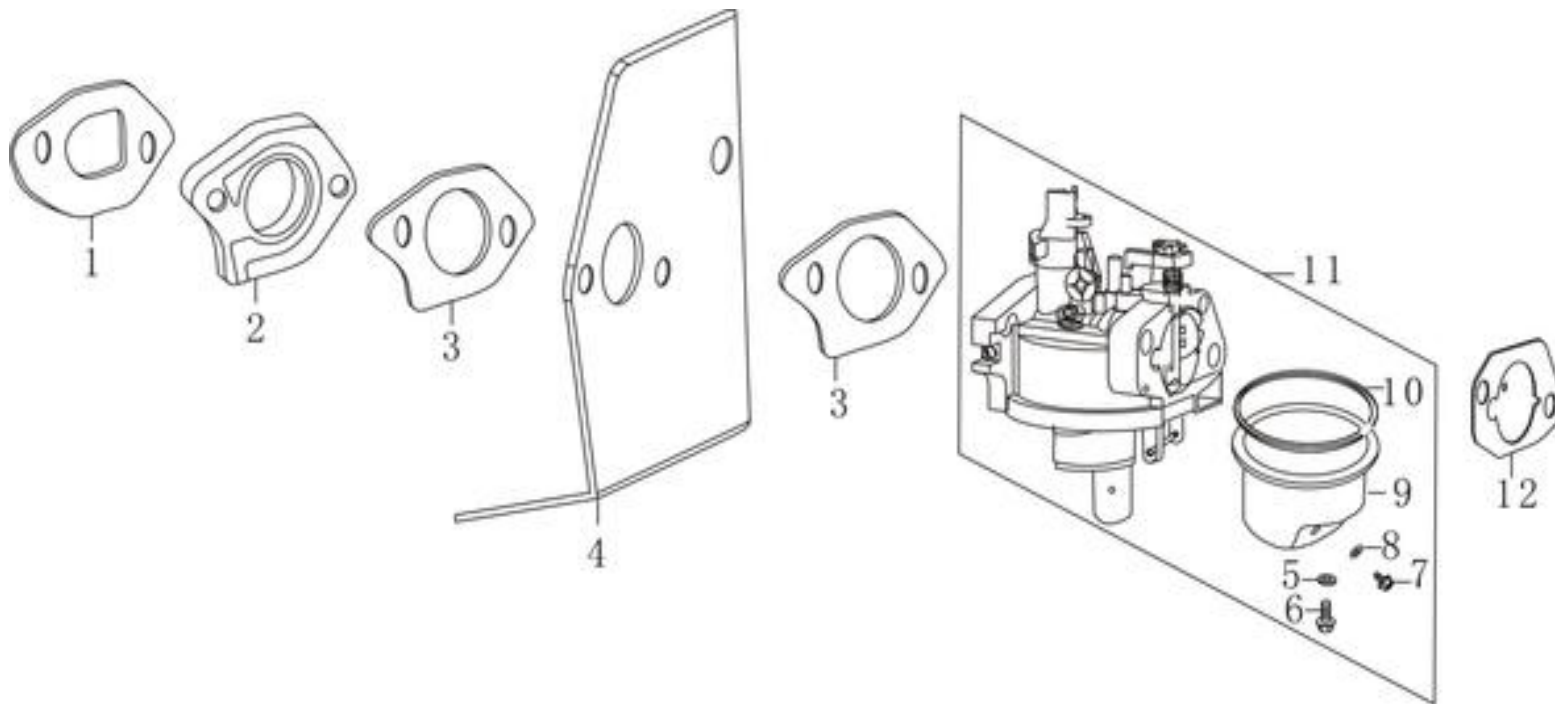
Crankshaft/Piston/connecting rod

No.	Part No.	Description	Reqd. QTY.				
			1P61FA	1P65FA	1P68FA	1P70FA	1P70F
1	LON130070098-0001		1	/	/	/	/
	LON130070085-0001	RING SET	/	1	/	/	/
	LON130070079-0001	RING SET	/	/	1	/	/
	LON130070142-0001	RING SET	/	/	/	1	1
2	LON130030106-0001	PISTON	1	/	/	/	/
	LON130030092-0001	PISTON	/	1	/	/	/
	LON130030083-0001	PISTON	/	/	1	/	/
	LON130030160-0001	PISTON	/	/	/	1	1
3	LON130060030-0001	PIN.PISTON	1	1	/	/	/
	LON130060031-0001	PIN.PISTON	/	/	1	1	1
4	LON380560055-0001	CLIP,PISTON PIN	1	1	/	/	/
	LON380560056-0001	CLIP,PISTON PIN	/	/	1	1	1
5	LON130150051-0001	ROD ASSY.,CONNECTING	1	1	/	/	/
	LON130150052-0001	ROD ASSY.,CONNECTING	/	/	1	1	/
	LON130150042-0001	ROD ASSY.,CONNECTING	/	/	/	/	1
6	LON380630137-0002	EDDP GROOVE BALL BEAEING 6205	1	1	1	1	1
7	LON130290107-0001	CRANKSHAFT COMP (B)	1	1	/	/	/
	LON130290321-0001	CRANKSHAFT COMP (B)	/	/	1	1	/
	LON130290336-0001	CRANKSHAFT COMP (B)	/	/	/	/	1
8	LON380450518-0001	WASHER 25 4*34*1	1	1	1	1	1



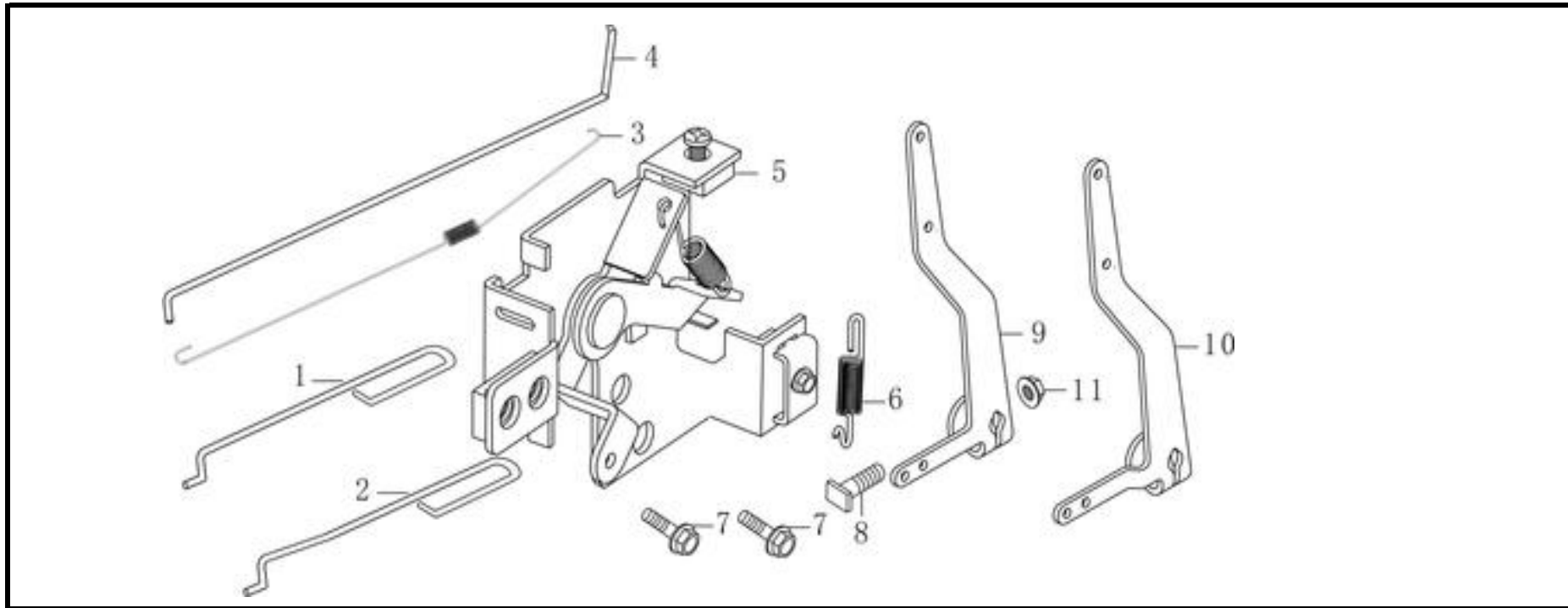
Camshaft

No.	Part No.	Description	Reqd. QTY.				
			1P61FA	1P65FA	1P68FA	1P70FA	1P70F
1	LON140450022-0001	ARM,VALVE ROCKER	2	2	2	2	2
2	LON140320001-0001	RATATOR,VALVE	/	/	2	2	2
3	LON140380017-0001	RETAINER,VALVE SPRING	/	/	2	2	2
	LON140380020-0001	RETAINER,VALVE SPRING	2	2	/	/	/
4	LON140340022-0001	SPRING,VALVE	2	2	2	2	2
5	LON500550034-0001	VALVE ASSY.	1	1	/	/	/
	LON500550029-0001	VALVE ASSY.	/	/	1	1	1
6	LON140710003-0001	PLATE ASSY	1	1	/	/	/
	LON140710004-0001	PLATE ASSY	/	/	1	1	1
7	LON140670013-0001	ROD,PUSH	2	2	/	/	/
	LON140670014-0001	ROD,PUSH	/	/	2	2	2
8	LON140690002-0001	LIFTER	2	2	2	2	2
9	LON140020058-0001	CAMSHAFT ASSY.	1	1	/	/	/
10	LON140020048-0001	CAMSHAFT ASSY.	/	/	1	1	1
11	LON380450534-0001	WASHER 14.2*20*1	1	1	2	2	2



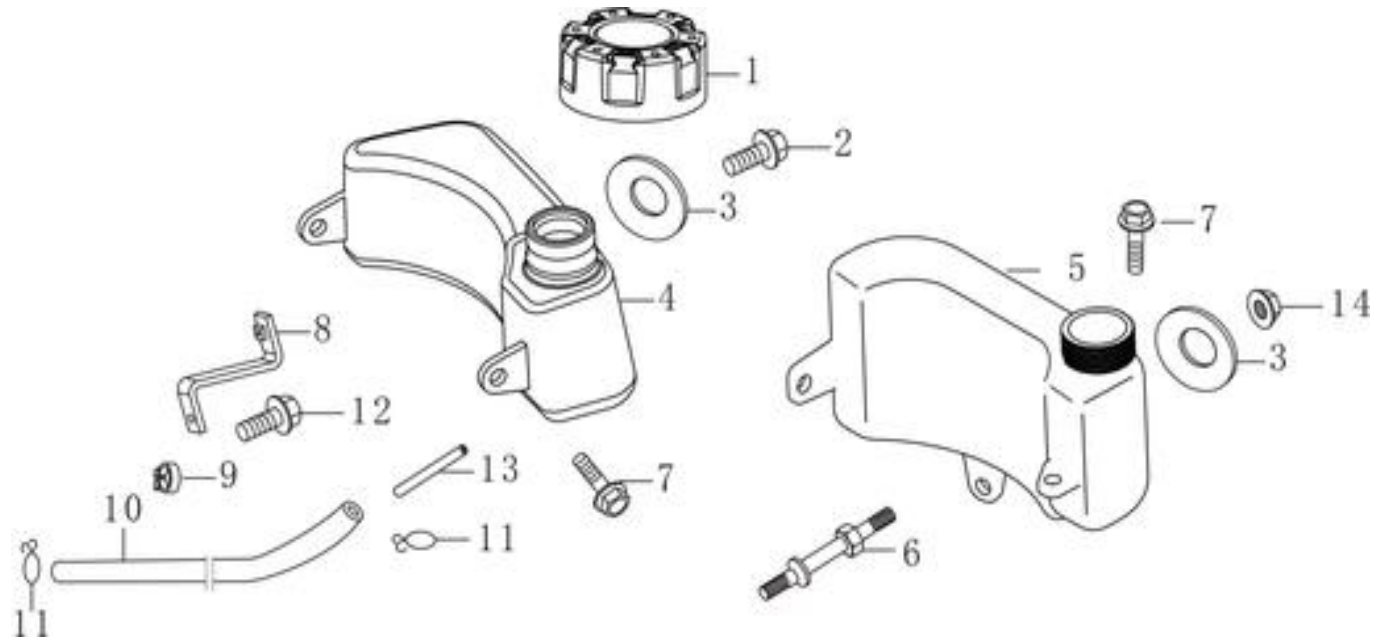
Carburetor

No.	Part No.	Description	Reqd. QTY.				
			1P61FA	1P65FA	1P68FA	1P70FA	1P70F
1	LON170430057-0001	PACKING,INSULATOR	1	1	/	/	/
	LON170430056-0001	PACKING,INSULATOR	/	/	1	1	1
2	LON170440055-0001	INSULATIR,CARBURETOR	1	1	/	/	/
	LON170440056-0001	INSULATIR,CARBURETOR	/	/	1	1	1
3	LON170430046-0001	PACKING,CARBURETOR	2	2	2	2	2
4	LON170450001-0001	PACKING,CARBURETOR	1	1	1	1	1
5	LON380450539-0001	GASKET,OIL CUP BOLT	1	1	1	1	1
6	LON380140353-0001	BOLT,FLANGE	1	1	1	1	1
7	LON172930001-0001	DRAIN BOLT	1	1	1	1	1
8	LON380450577-0001	WASHER	1	1	1	1	1
9	LON170250021-0002	OIL CUP	1	1	1	1	1
10	LON380840455-0001	GASKET,OIL CUP	1	1	1	1	1
11	LON170020454-0001	CARBURETOR	1	/	/	/	/
11	LON170020451-0001	CARBURETOR	/	1	/	/	/
	LON170020453-0001	CARBURETOR	/	/	1	/	/
	LON170020452-0001	CARBURETOR	/	/	/	1	/
	LON170020433-0001	CARBURETOR	/	/	/	/	1
12	LON170430067-0001	GASKET AIR CLEANER	1	1	1	1	1



Control

No.	Part No.	Description	Reqd. QTY.				
			1P61FA	1P65FA	1P68FA	1P70FA	1P70F
1	LON171650004-0001	ROD,THROTTLE	1	1	/	/	/
2	LON171650005-0001	ROD,THROTTLE	/	/	1	1	/
	LON171650002-0001	ROD,THROTTLE	/	/	/	/	1
3	LON171610003-0001	SPRING,THROTTLE RETURN	1	1	/	/	/
	LON171610015-0001	SPRING,THROTTLE RETURN	/	/	1	1	1
4	LON171590018-0001	ROD,GOVERNOR	1	1	/	/	/
	LON171590015-0001	ROD,GOVERNOR	/	/	1	1	/
	LON171590007-0001	ROD,GOVERNOR	/	/	/	/	1
5	LON171680038-0001	LIFTER , VALVE	1	1	1	1	1
6	LON171600018-0001	SPRING, GOVERNOR	1	1	/	/	/
	LON171600033-0001	SPRING, GOVERNOR	/	/	1	1	1
7	LON380140067-0003	BOLT,FLANGE M6*12	2	2	2	2	2
8	LON380250002-0001	BOLT,GOVERNOR ARM	1	1	1	1	1
9	LON171620015-0001	ARM,GOVERNOR	1	1	/	/	/
10	LON171620016-0001	ARM,GOVERNOR	/	/	1	1	1
11	LON380370048-0001	NUT,FLANGE M6	1	1	1	1	1



Fuel tank

No.	Part No.	Description	Reqd. QTY.				
			1P61FA	1P65FA	1P68FA	1P70FA	1P70F
1	LON170870094-0001	CAP COMP.,FUEL FILLER	1	1	1	1	1
2	LON380140013-0005	BOLT,FLANGE M6*16	1	1	1	1	1
3	LON380450444-0002	WASHER 6*25*2	1	1	1	1	1
4	LON170500539-0001	TANK COMP.,FUEL	1	1	1	1	1
5	LON170500687-0001	TANK COMP.,FUEL	1	1	1	1	1
6	LON380850003-0001	BOLT,STUD 6*60	1	1	1	1	1
7	LON380140013-0005	BOLT,FLANGE M6*16	1	1	1	1	1
8	LON170650010-0001	HOLDER,FUEL TANK	1	1	1	1	1
9	LON380930025-0001	LOCATION CABLE CLIP	1	1	1	1	1
10	LON380750202-0001	TUBE,FUEL 5.5*9.5*295	1	1	1	1	1
11	LON380950190-0001	PIPE CLIP	2	2	2	2	2
12	LON380140067-0003	BOLT,FLANGE M6*12	1	1	1	1	1
13	LON170010017-0001	STRAINER,FUEL	1	1	1	1	1
14	LON380370048-0001	NUT,FLANGE M6	1	1	1	1	1