

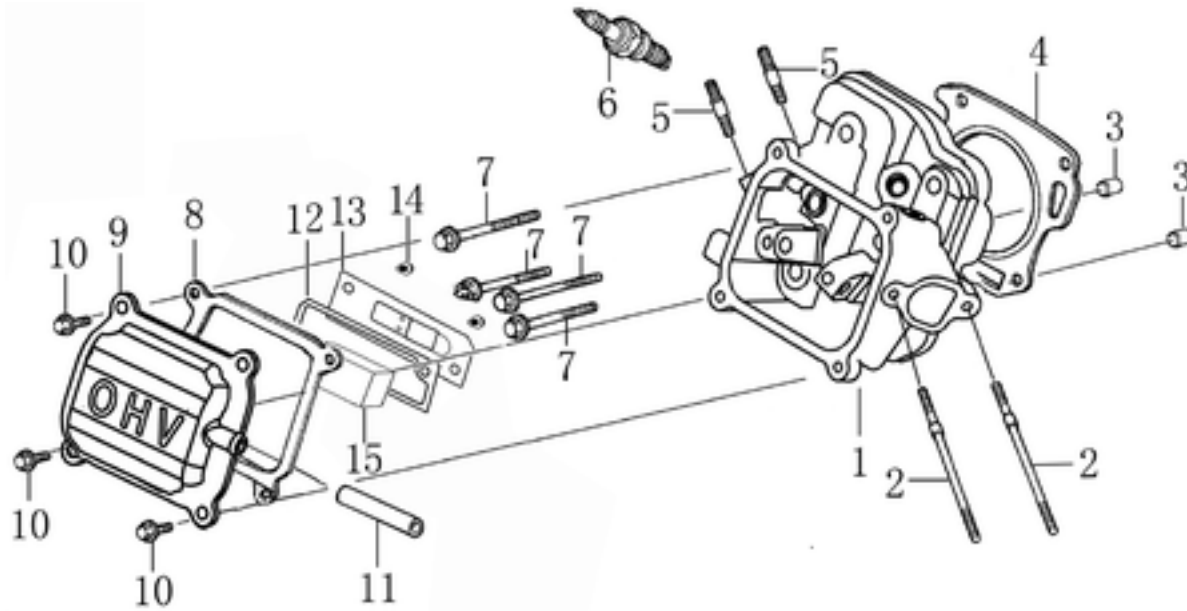


ILLUSTRATED PARTS LIST

LC200FA - LC200FAD

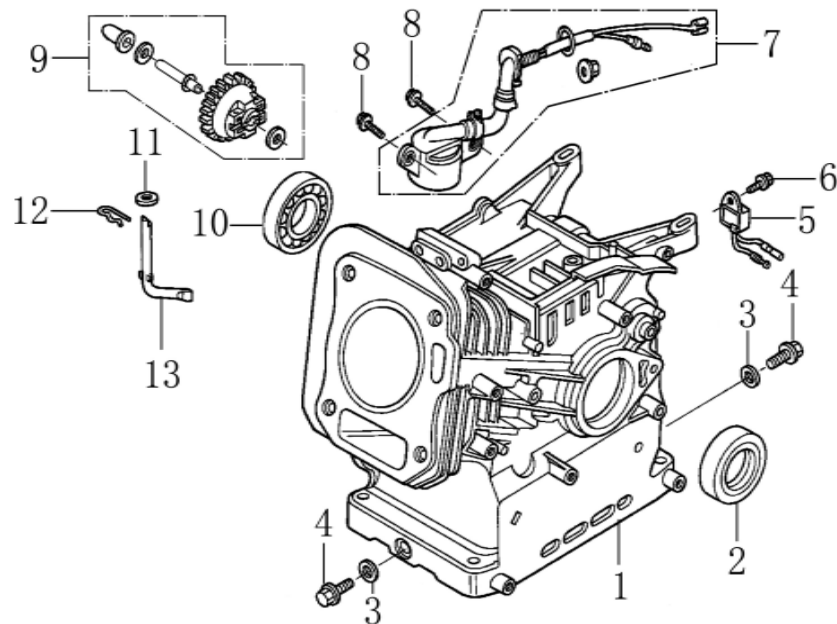
LC210FA - LC210FAD





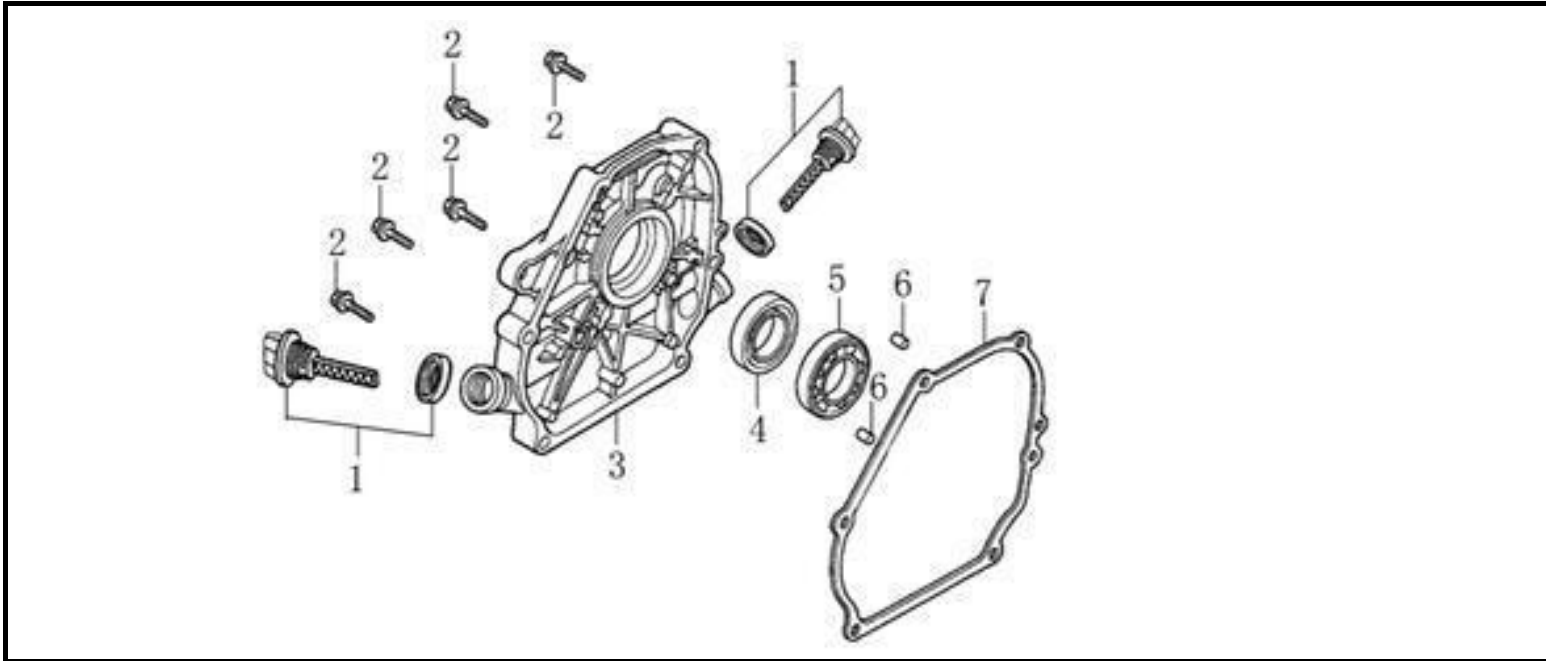
CYLINDER HEAD

No.	Part No.	Description	Reqd. QTY	
			G200F(D)A	G210F(D)A
1	LON120080532-0001	HEAD COMP.,CYLINDER	1	1
2	LON380180093-0001	BOLT,STUD,IN.	2	2
3	LON380600117-0001	PIN , DOWEL	2	2
4	LON120150144-0001	GASKET , CYLINDER	1	-
	LON120150193-0001	GASKET , CYLINDER	-	1
5	LON380180098-0001	BOLT , STUD , EX.	2	2
6	LON270960025-0001	PLUG , SPARK (F7TC)	1	1
7	LON380140336-0001	BOLT , FLANGE , 8*60	4	4
8	LON120250043-0001	PACKING , HEAD COVER	1	1
9	LON120230109-0001	COVER COMP ., HEAD	1	1
10	LON380140215-0003	BOLT , FLANGE , 6*14	4	4
11	LON380741044-0001	TUBE , BREATHER	1	1
12	LON110850018-0001	PACKING, BREATHER CHAMBER	1	1
13	LON110840024-0001	CAP,BREATHER CHAMBER	1	1
14	LON380140429-0001	BOLT,FLANGE	2	2
15	LON150290027-0001	OIL STRAINER	1	1



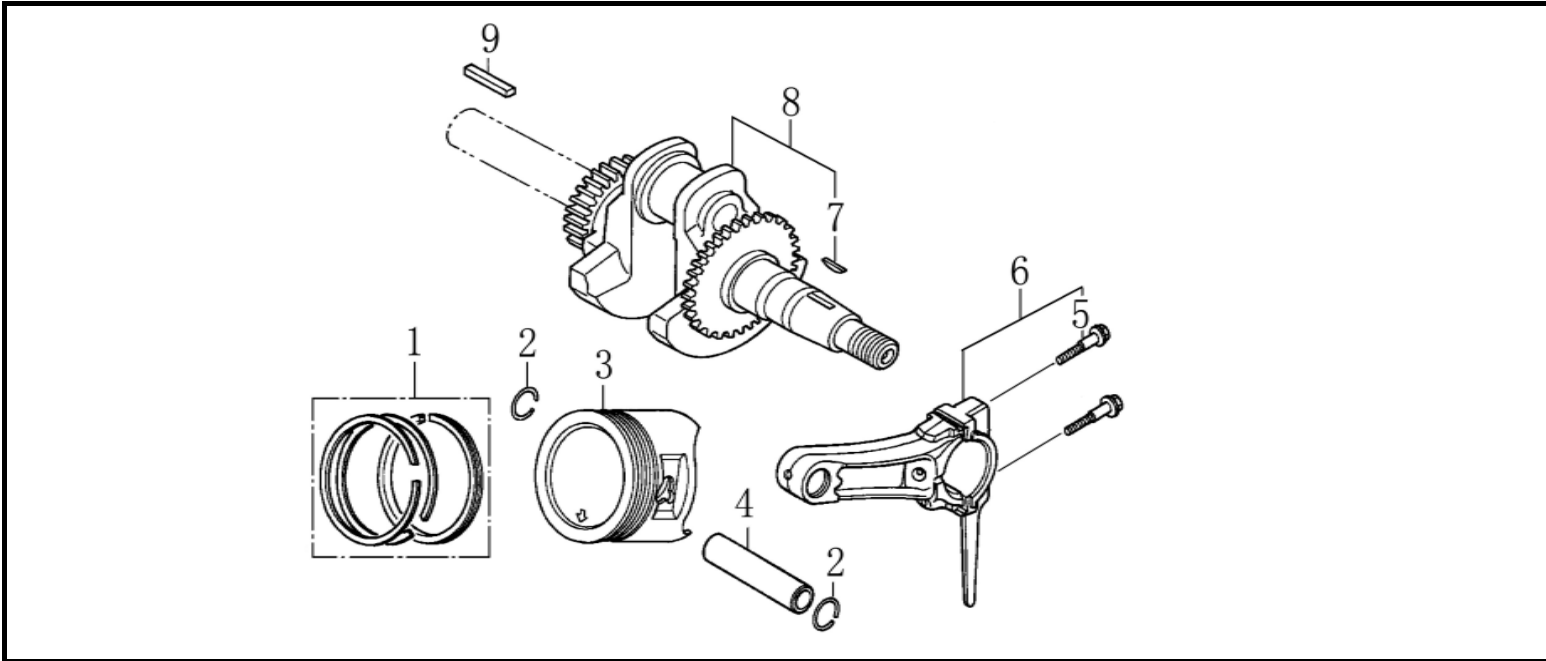
CRANK CASE

No.	Part No.	Description	Reqd. QTY	
			G200F(D)A	G210F(D)A
1	LON110810006-0001	CRANK CASE	1	-
	LON110810040-0001	CRANK CASE	-	1
2	LON380650347-0001	OIL SEAL 25×41.25×6	1	1
3	LON380450514-0001	WASHER,DRAIN PLUG	2	2
4	LON110260025-0001	BOLT,DRAIN PLUG	2	2
5	LON281890001-0001	ALART UNIT,OIL	1	1
6	LON380140011-0004	BOLT,FLANGE , 6×10	1	1
7	LON281850150-0001	OIL LEVEL SWITCH	1	1
8	LON380140215-0003	BOLT,FLANGE , 6×14	2	2
9	LON171750002-0001	GOVERNOR GEAR ASSY.	1	1
10	LON380630137-0002	BEARING , RADIAL BALL	1	-
	LON380630380-0001	BEARING , RADIAL BALL	-	1
11	LON380450531-0001	WASHER,PLAIN	1	1
12	LON381350004-0001	PIN,LOCK	1	1
13	LON171630001-0001	SHAFT,GOVERNOR ARM	1	1



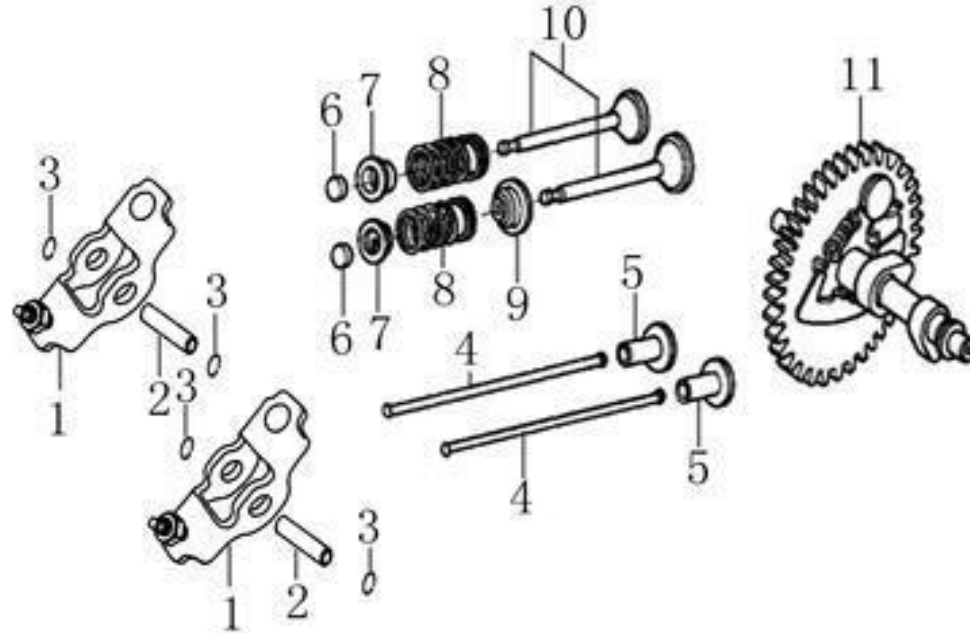
CRANK CASE COVER

No.	Part No.	Description	Reqd. QTY	
			G200F(D)A	G210F(D)A
1	LON110690035-0001	GAUGE ASSY.,OIL LEVEL	2	2
2	LON380140028-0004	BOLT,FLANGE	6	6
3	LON110820014-0001	CASE COVER	1	1
4	LON380650347-0001	OIL SEAL	1	1
5	LON380630137-0002	BEARING , RADIAL BALL	1	-
	LON380630380-0001	BEARING , RADIAL BALL	-	1
6	LON380600120-0001	PIN ,DOWEL	2	2
7	LON110830007-0001	PACKING ,CASE COVER	1	1



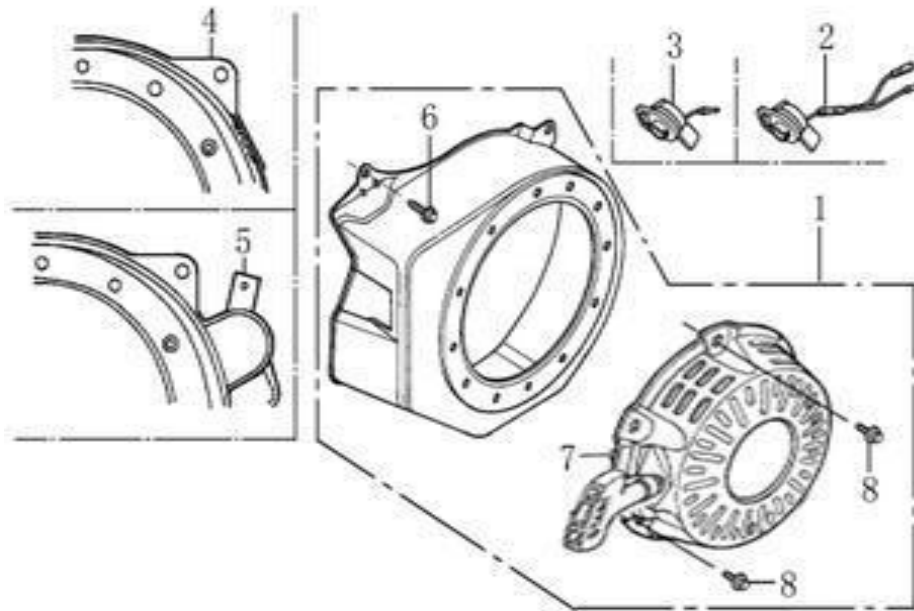
CRANKSHAFT/PISTON

No.	Part No.	Description	Reqd. QTY	
			G200F(D)A	G210F(D)A
1	LON130070168-0001	RING SET	1	-
	LON130070187-0001	RING SET	-	1
2	LON380560056-0001	CLIP,PISTON PIN	2	2
3	LON130030188-0001	PISTON	1	-
	LON130030208-0001	PISTON	-	1
4	LON130060031-0001	PIN,PISTON	1	1
5	LON130180001-0001	BOLT,CONNECTING ROD	2	2
6	LON130150039-0001	ROD ASSY.,CONNECTING	1	-
	LON130150054-0001	ROD ASSY.,CONNECTING	-	1
7	LON380620050-0001	KEY	1	1
8	LON130290049-0001	CRANKSHAFT COMP (R)	1	-
	LON130290178-0001	CRANKSHAFT COMP (R)	-	1
9	LON380620030-0001	KEY 38x4.78x4.78	1	1



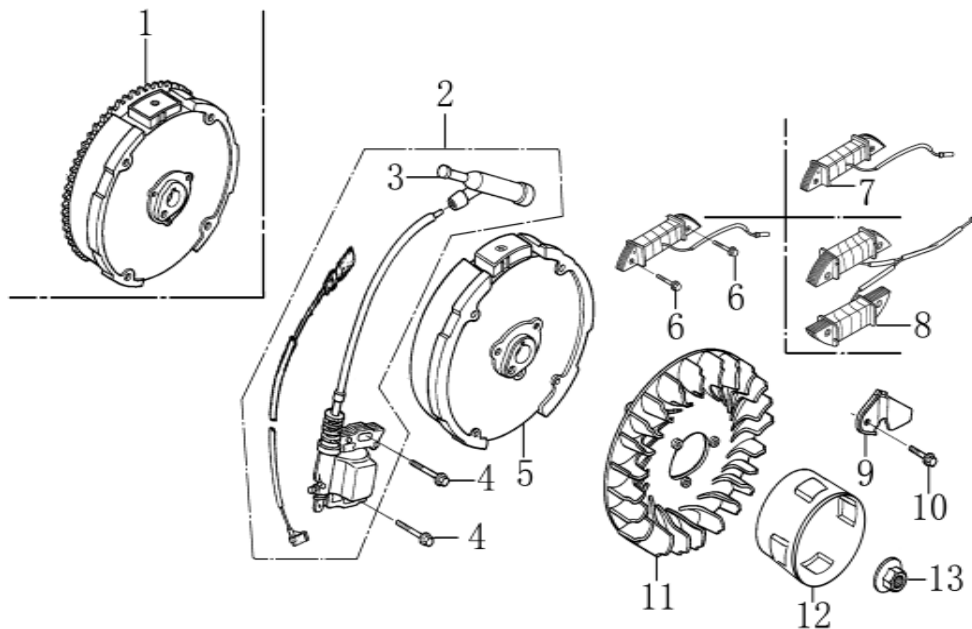
GAS DISTRIBUTION ADJUSTMENT

No.	Part No.	Description	Reqd. QTY	
			G200F(D)A	G210F(D)A
1	LON140450056-0001	ARM COMP.	2	2
2	LON140510049-T058	VALVE ROCKER SHAFT	2	2
3	LON380570024-0003	LOCKER	4	4
4	LON140670041-0001	ROD,PUSH	2	2
5	LON140690003-0001	LIFTER VALVE	2	2
6	LON140320001-0001	ROTATOR,VALVE	2	2
7	LON140380017-0001	RETAINER,VALVE SPRING	2	2
8	LON140340022-0001	SPRING , VALVE	2	2
9	LON140400016-0001	SEAL,GUIDE	1	1
10	LON500550041-0001	VALVE COMP.	1	1
11	LON140020114-0001	CAMSHAFT ASSY.	1	1



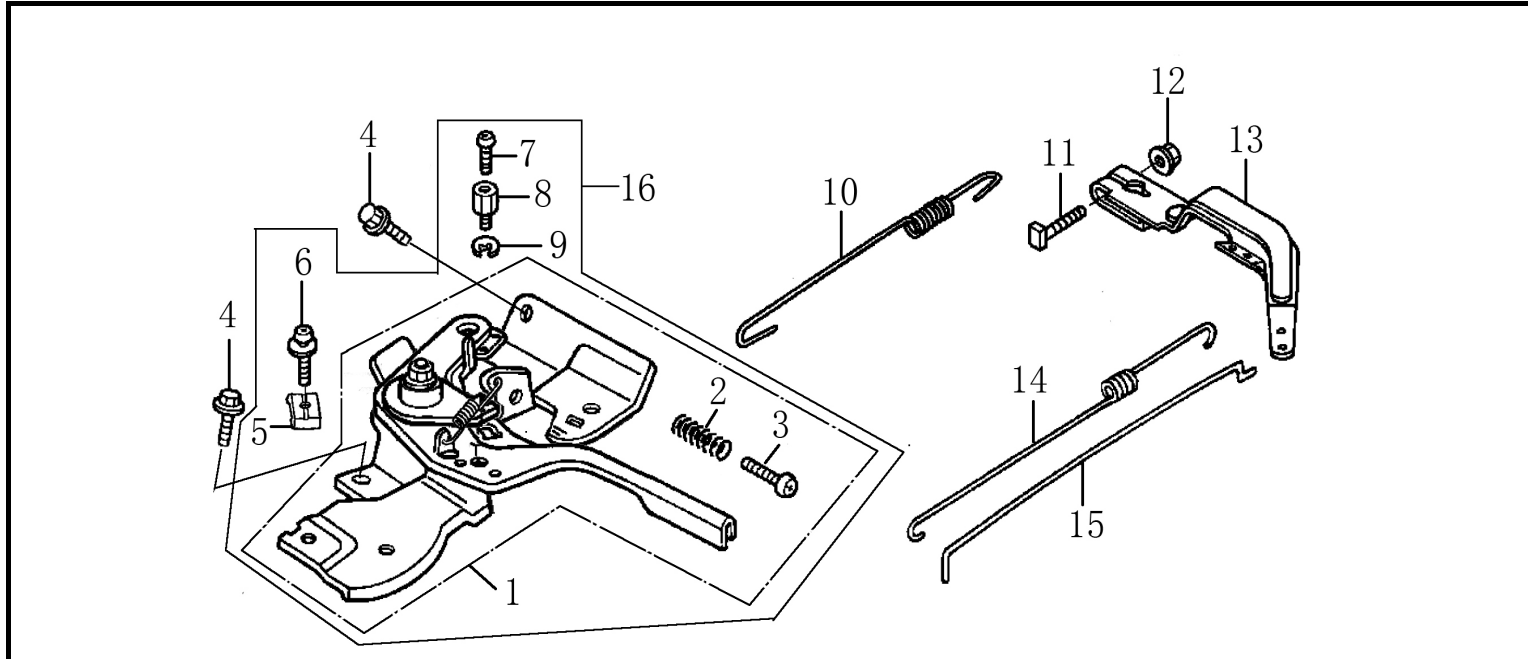
STARTER SUBASSEMBLY

No.	Part No.	Description	Reqd. QTY	
			G200F(D)A	G210F(D)A
1	LON193490011-0001	RECOIL STARTER COMP.(A+A RED)	1(-)	-
	LON193490279-0001	RECOIL STARTER COMP.(A+C BLACK)	-(-1)	-
	LON193490237-0002	RECOIL STARTER COMP.(F+A BLACK)	-	1(-)
	LON193490239-0001	RECOIL STARTER COMP.(F+A BLACK)	-	-(-1)
2	LON271660028-0001	SWITCH ASSY.,ENGINE STOP(OIL ALERT)	1	1
3	LON271660027-0001	SWITCH ASSY., ENGINE STOP	1	1
4	LON160210005-0001	COVER COMP.,FAN (A RED)	1(-)	-
	LON160210088-0001	COVER COMP.,FAN (A BLACK)	-	1(-)
5	LON160210079-0001	COVER COMP.,FAN (C RED)	-(-1)	-
	LON160210006-T073	COVER COMP.,FAN	-	-(-1)
6	LON380140011-0004	BOLT,FLANGE 6x10	4	4
7	LON193500008-0001	STARTER ASSY.(A RED)	1	-
	LON193500100-0001	STARTER ASSY.(F BLACK)	-	1
8	LON380140531-0001	BOLT,FLANGE 6x8	3	4



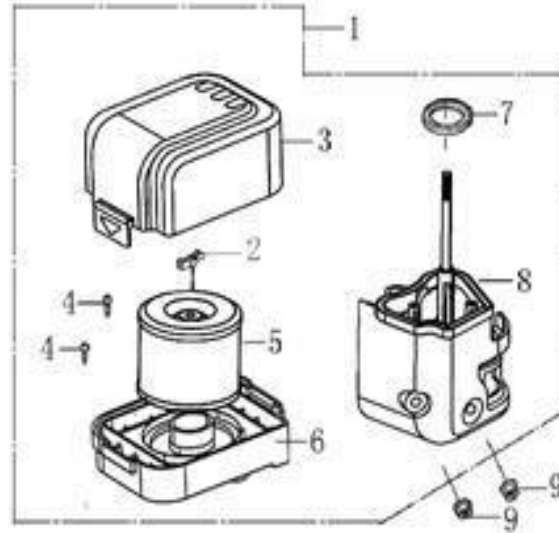
FLYWHEEL/COIL ASSY.

No.	Part No.	Description	Reqd. QTY	
			G200F(D)A	G210F(D)A
1	LON270020098-0001	FLYWHEEL COMP	(1)	-
	LON270020140-0001	FLYWHEEL COMP	-	(1)
2	LON270920162-0001	COIL ASSY.,IGNITION	1	1
3	LON270950040-0001	CAP ASSY.,NOISE SUPPRESSOR	1	1
4	LON380140102-0004	BOLT,FLANGE,6×25	2	2
5	LON270020097-0001	FLYWHEEL COMP	1(-)	-
	LON270020139-0001	FLYWHEEL COMP	-	1(-)
6	LON380140102-0004	BOLT,FLANGE,6×25	(2)	(2)
7	LON270190018-0001	COIL ASSY.,CHARGE	(1)	(1)
8	LON270190003-0001	COIL ASSY.,CHARGE	(1)	(1)
9	LON270280006-0001	CLAMPER,CORD	(1)	(1)
10	LON380140089-0003	BOLT,FLANGE,6×8	(1)	(1)
11	LON160180007-0001	FAN,COOLING	1	-
	LON160180023-0001	FAN,COOLING	-	1
12	LON193590005-0001	PULLEY ,STARTER	1	-
	LON193590024-0001	PULLEY,STARTER	-	1
13	LON380370051-0001	NUT,SPECIAL	1	1



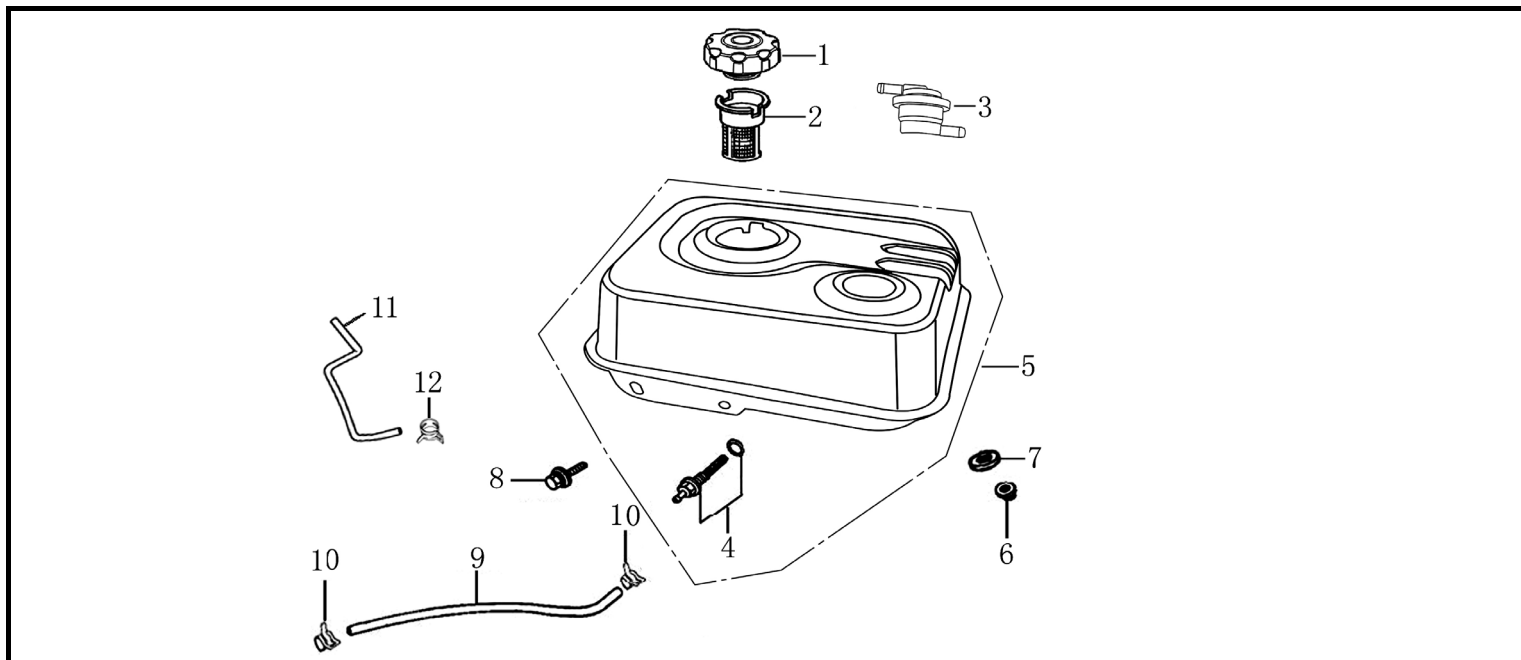
CONTROL SYSTEM

No.	Part No.	Description	Reqd. QTY	
			G200F(D)A	G210F(D)A
1	LON171680006-0001	CONTROL ASSY.	1	1
2	LON171660001-0001	SPRING	1	1
3	LON380200017-0005	SCREW , 5×35	1	1
4	LON380140011-0004	BOLT, FLANGE	2	2
5	LON171710004-0001	HOLDER, CABLE	1	1
6	LON380200010-0005	SCREW , 5×25	1	1
7	LON380200037-0003	SCREW , 4×6	1	1
8	LON171720001-0001	HOLDER, WIRE	1	1
9	LON380570018-0002	CIRCLIP	1	1
10	LON171600037-0001	SPRING, GOVERNOR	1	1
11	LON380250002-0001	BOLT, QUADRATE HEAD M6×21	1	1
12	LON380370048-0001	NUT, FLANGE	1	1
13	LON171620001-0001	ARM, GOVERNOR	1	1
14	LON171610002-0001	SPRING, THROTTLE RETURN	1	1
15	LON171590002-0001	ROD, GOVERNOR	1	1
16	LON171680011-0001	CONTROL ASSY.(1#)	1	1



AIR CLEANER

No.	Part No.	Description	Reqd. QTY	
			G200F(D)A	G210F(D)A
1	LON180020606-0001	AIR CLEANER ASSY	1	1
2	LON380440002-0001	NUT , TOOL BOX SETTING	1	1
3	LON180070178-0001	COVER , AIR CLEANER	1	1
4	LON380310015-0005	SCREW	2	2
5	LON180100073-0001	ELEMENT ASSY. , AIR CLEANER	1	1
6	LON180330042-0001	NOSE , SILENCER	1	1
7	LON380840437-0001	PACKING , ELBOW	1	1
8	LON180280058-0001	ELBOW COMP. , AIR CLEANER	1	1
9	LON380370048-0001	NUT , FLANGE , 6MM	2	2



FUEL TANK

No.	Part No.	Description	Reqd. QTY	
			G200F(D)A	G210F(D)A
1	LON170870118-0001	CAP COMP.,FUEL FILLER	1	1
2	LON170720009-0001	FILTER,FUEL	1	1
3	LON172830008-0001	GAS VALVE,FUEL TANK	1	1
4	LON170660077-0001	JOINT ASSY.,FUEL TANK	1	1
5	LON170490988-T058	TANK COMP.,FUEL	1	1
6	LON380370048-0001	NUT,FLANGE, 6MM	2	2
7	LON380920086-0001	WASHER,RUBBER	2	2
8	LON380140102-0004	BOLT,FLANGE, 6×25	1	1
9	LON380750597-0001	TUBE,FUEL	1	1
10	LON380960170-0002	LOOP,TUBE	2	2
11	LON181940042-0001	PIPE	1	1
12	LON380960121-0005	LOOP,TUBE	1	1