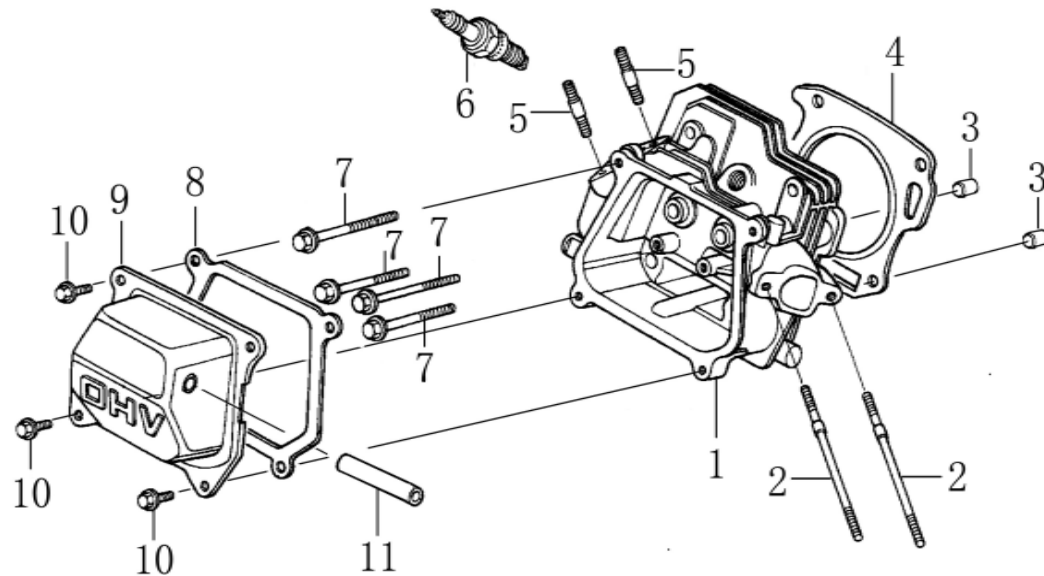




## ILLUSTRATED PARTS LIST

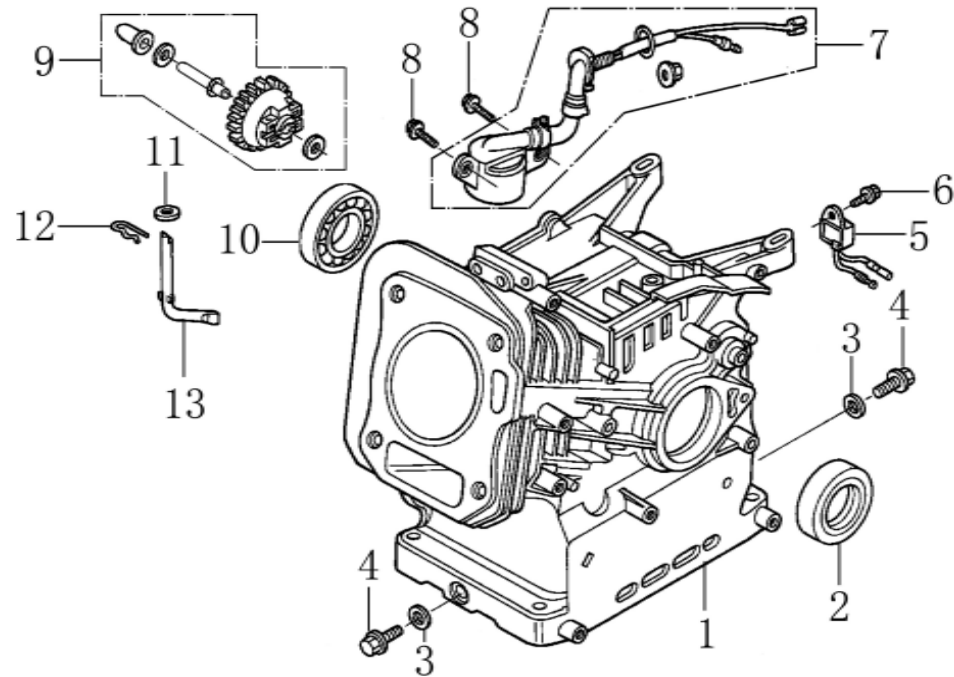
<b>G160F(D)</b>	<b>LC168F(D)-I</b>
<b>G160F(D)-B</b>	<b>LC168F(D)-II</b>
<b>G160F(D)-C</b>	<b>LC168F(D)-IB</b>
<b>G200F(D)</b>	<b>LC168F(D)-IIB</b>
<b>G200F(D)-B</b>	<b>LC168F(D)-IC</b>
<b>G200F(D)-C</b>	<b>LC168F(D)-IIC</b>





**CYLINDER HEAD**

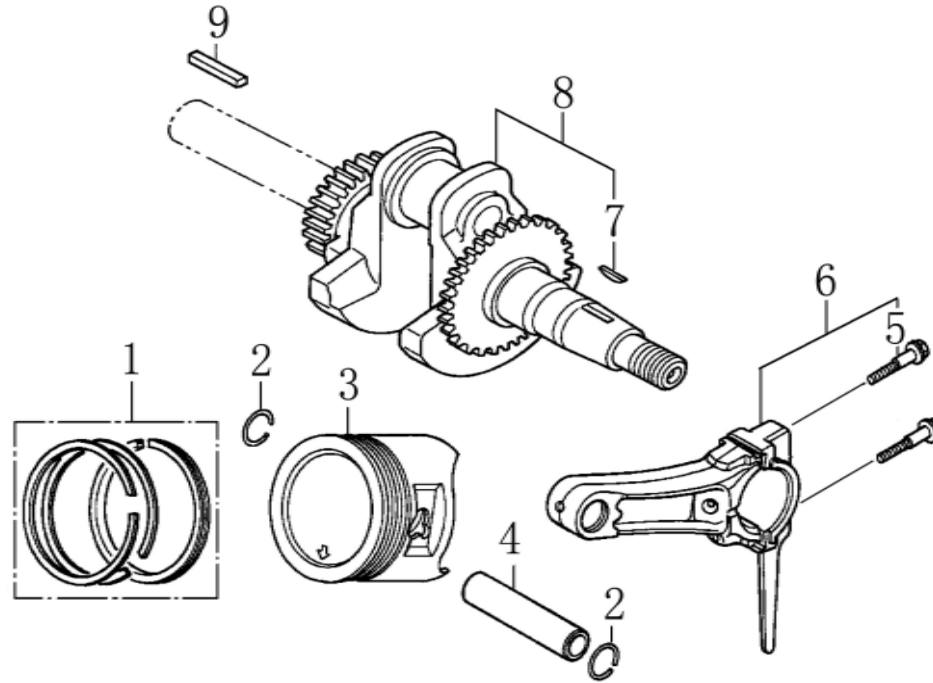
No.	Part No.	Description	Reqd. QTY			
			LC168F(D)-I	LC168F(D)-II	G160F(D)	G200F(D)
1	LON120080275-T040	HEAD COMP .,CYLINDER	1	-	1	-
	LON120080276-T050	HEAD COMP .,CYLINDER	-	1	-	1
2	LON380180093-T040	BOLT , STUD , IN.	2	2	2	2
3	LON380600117-T040	PIN , DOWEL	2	2	2	2
4	LON120150144-T040	GASKET , CYLINDER	1	-	1	-
	LON120150070-T050	GASKET , CYLINDER	-	1	-	1
5	LON380180098-T040	BOLT , STUD , EX.	2	2	2	2
6	LON270960025-T040	PLUG , SPARK	1	1	1	1
7	LON380140336-T040	BOLT , FLANGE , 8*60	4	4	4	4
8	LON120250013-T040	PACKING , HEAD COVER	1	1	1	1
9	LON120220008-T040	COVER COMP ., HEAD	1	1	1	1
10	LON380140215-T040	BOLT , FLANGE , 6*14	4	4	4	4
11	LON380740471-T040	TUBE , BREATHER	1	1	1	1



**CRANK CASE**

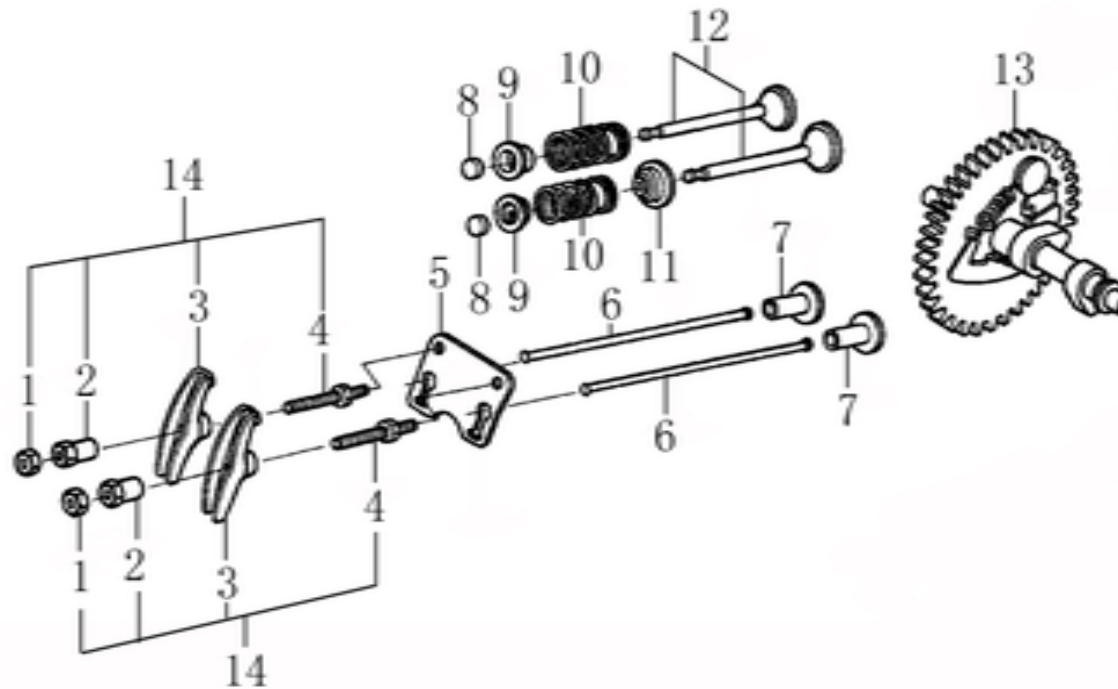
No.	Part No.	Description	Reqd. QTY			
			LC168F(D)-I	LC168F(D)-II	G160F(D)	G200F(D)
1	LON110810004-T040	CRANK CASE	1	-	1	-
	LON110810006-T050	CRANK CASE	-	1	-	1
2	LON380650334-T040	OIL SEAL 25×41.25×6	1	1	1	1
3	LON380450514-T040	WASHER , DRAIN PLUG	2	2	2	2
4	LON110260025-T040	BOLT , DRAIN PLUG	2	2	2	2
5	LON281890001-T040	ALART UNIT ,OIL	1	1	1	1
6	LON380140011-T040	BOLT , FLANGE , 6×10	1	1	1	1
7	LON281850150-T040	OIL LEVEL SWITCH	1	1	1	1
8	LON380140215-T040	BOLT , FLANGE , 6×14	2	2	2	2
9	LON171750002-T040	GOVERNOR GEAR ASSY.	1	1	1	1
10	LON380630137-T040	BEARING , RADIAL BALL	1	1	1	1
11	LON380450531-T040	WASHER , PLAIN	1	1	1	1
12	LON381350004-T040	PIN , LOCK	1	1	1	1
13	LON171630001-T040	SHAFT , GOVERNOR ARM	1	1	1	1





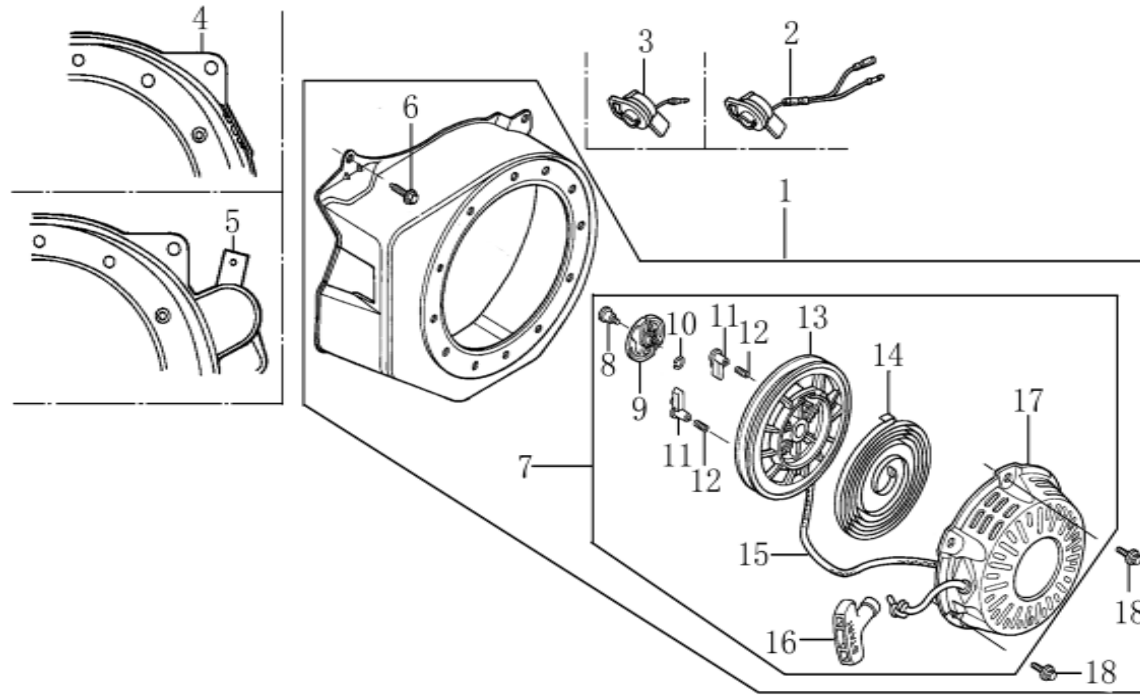
**CRANKSHAFT/PISTON**

No.	Part No.	Description	Reqd. QTY			
			LC168F(D)-I	LC168F(D)-II	G160F(D)	G200F(D)
1	LON130070079-T040	RING SET	1	1	1	1
2	LON380560056-T040	CLIP , PISTON PIN	2	2	2	2
3	LON130030081-T040	PISTON	1	-	1	-
	LON130030083-T050	PISTON	-	1	-	1
4	LON130060031-T040	PIN , PISTON	1	1	1	1
5	LON130180001-0001	BOLT,CONNECTING ROD	2	2	2	2
6	LON130150039-T040	ROD ASSY ., CONNECTING	1	1	1	1
7	LON380620050-T040	KEY	1	1	1	1
8	LON130290019-T040	CRANKSHAFT COMP	1	-	1	-
	LON130290021-T050	CRANKSHAFT COMP	-	1	-	1
9	LON380620032-0001	KEY	1	1	1	1



### GAS DISTRIBUTION ADJUSTMENT

No.	Part No.	Description	Reqd. QTY			
			LC168F(D)-I	LC168F(D)-II	G160F(D)	G200F(D)
1	LON140470001-T040	NUT , PIVOT ADJUSTING	2	2	2	2
2	LON140490012-T040	PIVOT , ROCKER ARM	2	2	2	2
3	LON140460030-T040	ARM , VALVE ROCKER	2	2	2	2
4	LON140480012-T040	BOLT , PIVOT ARM	2	2	2	2
5	LON140710001-T040	PLATE , PUSH ROD GUIDE	1	1	1	1
6	LON140670004-T040	ROD , PUSH	2	2	2	2
7	LON140690002-T040	LIFTER , VALVE	2	-	2	-
	LON140690003-T050	LIFTER , VALVE	-	2	-	2
8	LON140320001-T040	RATATOR , VALVE	2	2	2	2
9	LON140380017-T040	RETAINER , VALVE SPRING	2	2	2	2
10	LON140340022-T040	SPRING , VALVE	2	2	2	2
11	LON140400011-T040	SEAL , GUIDE	1	1	1	1
12	LON500550024-T040	VALVE COMP.	1	1	1	1
13	LON140020038-T040	CAMSHAFT ASSY.	1	-	1	-
	LON140020040-T050	CAMSHAFT ASSY.	-	1	-	1
14	LON140450022-T040	ARM COMP.	2	2	2	2

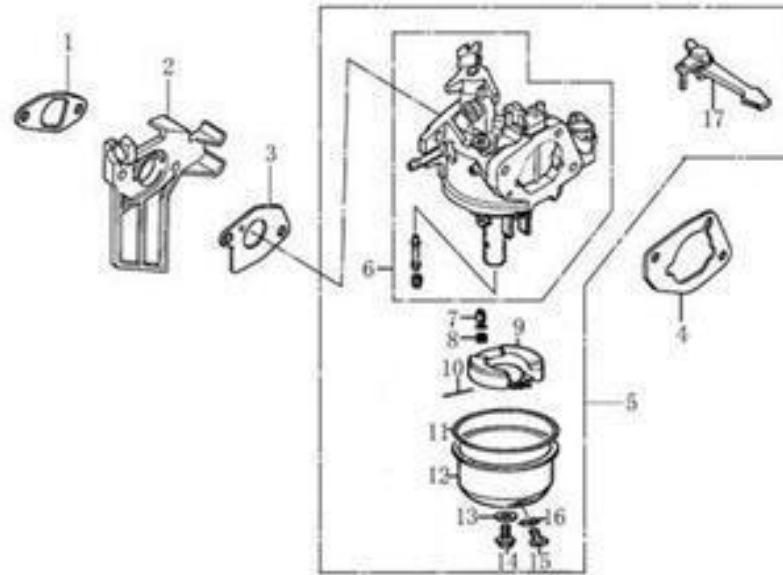


### STARTER SUBASSEMBLY

No.	Part No.	Description	Reqd. QTY			
			LC168F(D)-I	LC168F(D)-II	G160F(D)	G200F(D)
1	LON193490011-T040	RECOIL STARTER COMP.	1	1	1	1
2	LON271660028-T040	SWITCH ASSY., ENGINE STOP(OIL ALERT)	1	1	1	1
3	LON271660027-T040	SWITCH ASSY., ENGINE STOP	1	1	1	1
4	LON160210005-T040	COVER COMP., FAN	1	1	1	1
5	LON160210049-T041	COVER COMP., FAN	1	1	1	1
6	LON380140011-T040	BOLT, FLANGE 6×10	4	4	4	4
7	LON193500008-T040	STARTER ASSY.	1	1	1	1
8	LON380020067-T040	SCREW, SETTING	1	1	1	1
9	LON193550003-T040	GUIDE, RATCHET	1	1	1	1
10	LON381150342-T040	SPRING, FRICTION	1	1	1	1
11	LON193540003-T040	RATCHET, STARTER	2	2	2	2
12	LON381160090-T040	SPRING, RETURN	2	2	2	2
13	LON193520003-T040	REEL, RECOIL STARTER	1	1	1	1
14	LON193340018-T040	SPRING, RECOIL STARTER	1	1	1	1
15	LON193530004-T040	ROPE	1	1	1	1
16	LON193560003-T040	KNOB, RECOIL STARTER	1	1	1	1
17	LON193640002-T040	COVER COMP., FAN	1	1	1	1
18	LON380140089-T040	BOLT, FLANGE 6×8	3	3	3	3

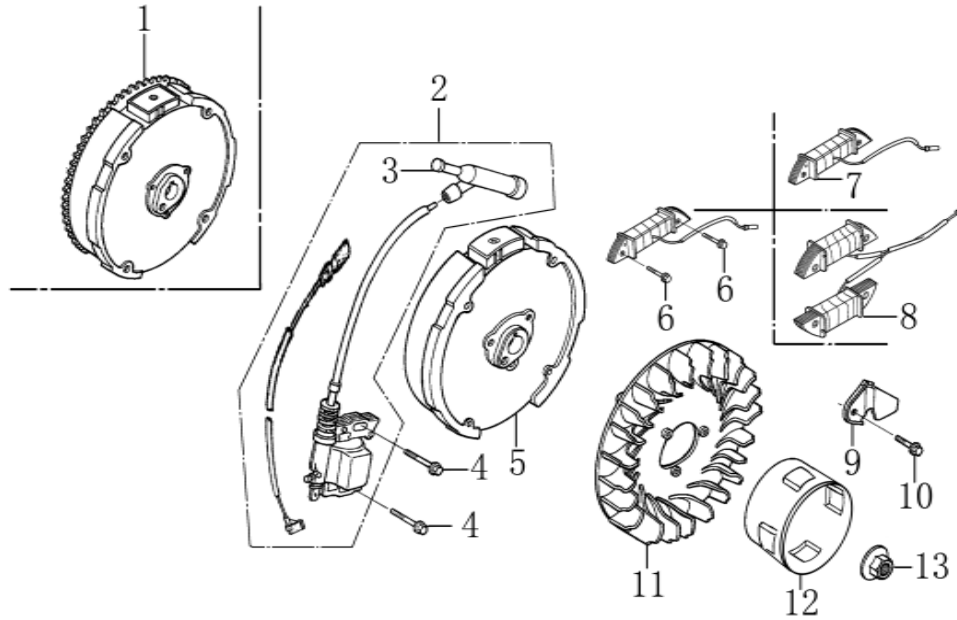






### CARBURETOR

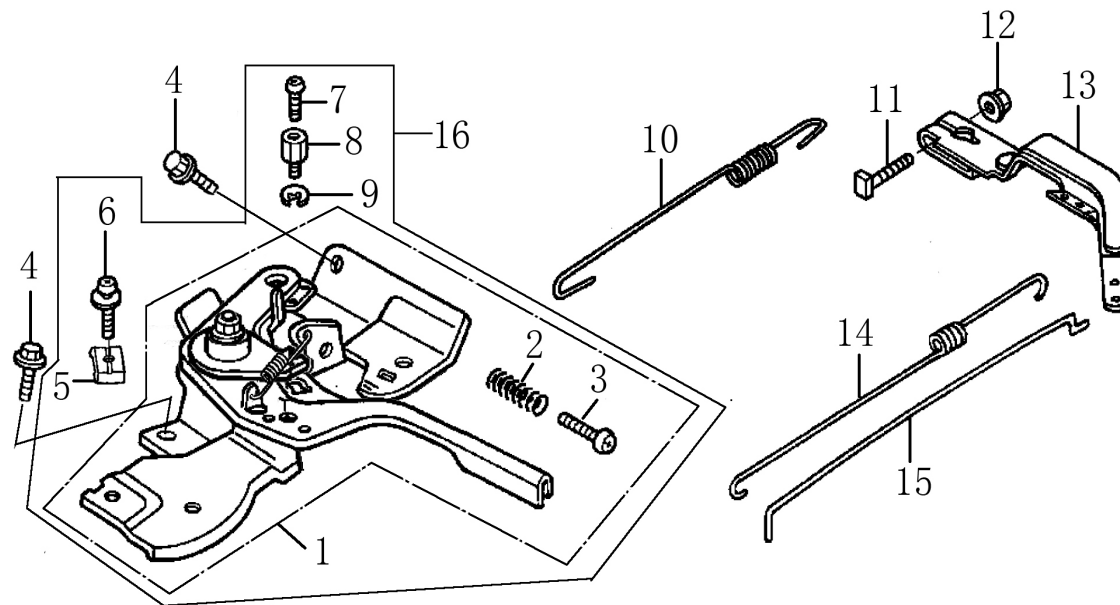
No.	Part No.	Description	Reqd. QTY			
			LC168F(D)-I	LC168F(D)-II	G160F(D)	G200F(D)
1	LON170430060-T05K	PACKING , INSULATOR	1	1	1	1
2	LON170440038-T040	INSULATOR , CARBURETOR	1	1	1	1
3	LON170430048-T05K	PACKING ., CARBURETOR	1	1	1	1
4	LON170430065-T040	SPACER COMP., AIR CLEANER	1	1	1	1
5	LON170020405-T040	CARBURETOR	1	-	1	-
	LON170020406-T050	CARBURETOR	-	1	-	1
6	LON170160029-T040	CARBURETOR'S NOUMENON	1	-	1	-
	LON170160032-T050	CARBURETOR'S NOUMENON	-	1	-	1
7	LON170180050-T040	VALVE , FLOAT	1	1	1	1
8	LON381150336-T040	SPRING , VALVE SET	1	1	1	1
9	LON170280019-T040	FLOAT	1	1	1	1
10	LON170290017-T040	PIN , FLOAT	1	1	1	1
11	LON380840455-T040	GASKET , OIL CUP	1	1	1	1
12	LON170250021-T040	OIL CUP	1	1	1	1
13	LON380450539-T040	GASKET , OIL CUP BOLT	1	1	1	1
14	LON380140353-T040	BOLT , OIL CUP	1	1	1	1
15	LON172930001-T040	BOLT ,DRAIN	1	1	1	1
16	LON380450577-T040	GASKET , DRAIN BOLT	1	1	1	1
17	LON172920001-T110	LEVER ASSY.,CHOKE	1	1	1	1



**FLYWHEEL/COIL ASSY.**

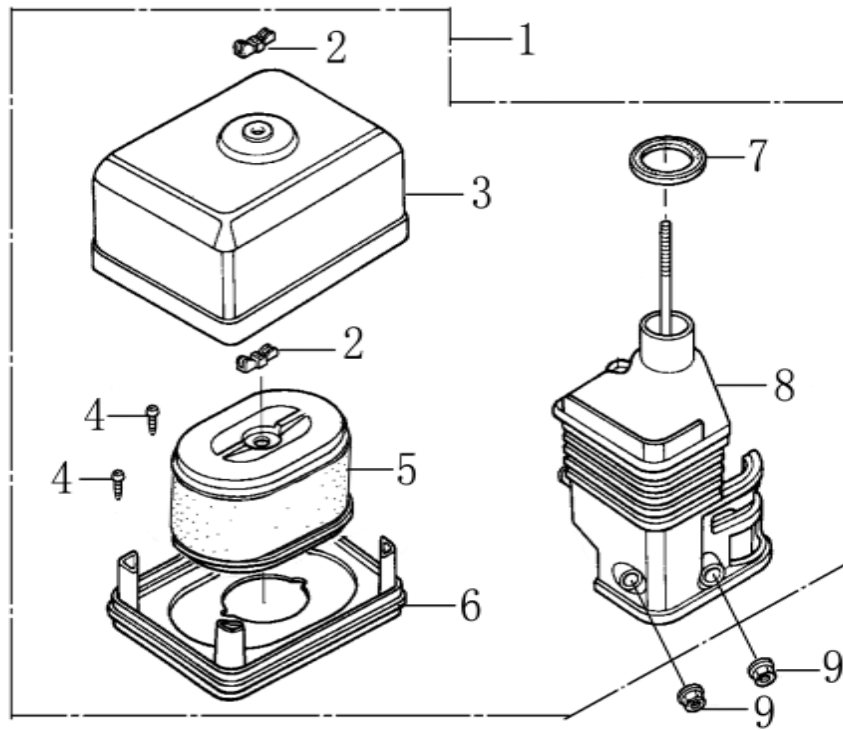
No.	Part No.	Description	Reqd. QTY			
			LC168F(D)-I	LC168F(D)-II	G160F(D)	G200F(D)
1	LON270020098-T041	FLYWHEEL COMP	(1)	(1)	(1)	(1)
2	LON270920162-T040	COIL ASSY ., IGNITION	1	1	1	1
3	LON270950040-T040	CAP ASSY ., NOISE SUPPRESSOR	1	1	1	1
4	LON380140102-T040	BOLT , FLANGE , 6×25	(2)	(2)	(2)	(2)
5	LON270020097-T040	FLYWHEEL COMP	1(-)	1(-)	1(-)	1(-)
6	LON380140102-T040	BOLT , FLANGE , 6×25	(2)	(2)	(2)	(2)
7	LON270190001-T111	COIL ASSY ., CHARGE	(1)	(1)	(1)	(1)
8	LON270190003-T111	COIL ASSY ., CHARGE	(1)	(1)	(1)	(1)
9	LON270280006-T041	CLAMPER , CORD	(1)	(1)	(1)	(1)
10	LON380140089-T040	BOLT , FLANGE , 6×8	(1)	(1)	(1)	(1)
11	LON160180007-T040	FAN , COOLING	1	1	1	1
12	LON193590005-T040	PULLEY , STARTER	1	1	1	1
13	LON380370051-T040	NUT , SPECIAL	1	1	1	1





### CONTROL SYSTEM

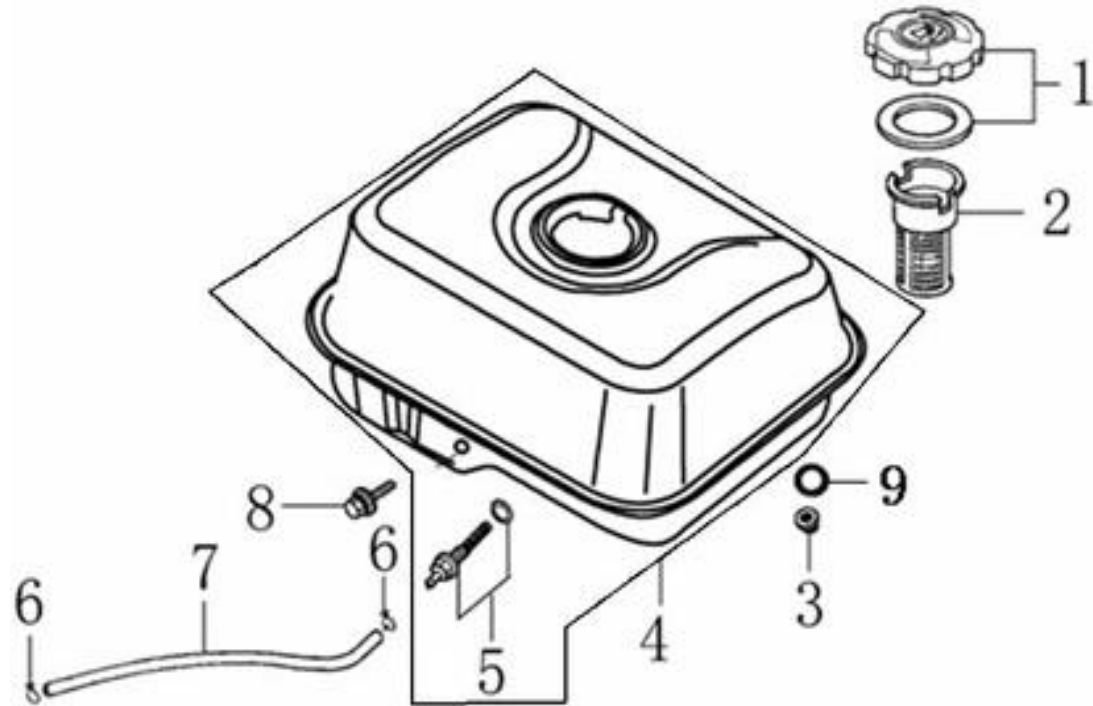
No.	Part No.	Description	Reqd. QTY			
			LC168F(D)-I	LC168F(D)-II	G160F(D)	G200F(D)
1	LON171680006-T040	CONTROL ASSY.	1	1	1	1
2	LON171660001-T040	SPRING	1	1	1	1
3	LON380200017-T040	SCREW , 5x35	1	1	1	1
4	LON380140011-T040	BOLT, FLANGE	2	2	2	2
5	LON171710004-T040	HOLDER, CABLE	1	1	1	1
6	LON380200010-0005	SCREW , 5x25	1	1	1	1
7	LON380200037-0003	SCREW , 4x6	1	1	1	1
8	LON171720001-0001	HOLDER, WIRE	1	1	1	1
9	LON380570018-0002	CIRCLIP	1	1	1	1
10	LON171600036-T040	SPRING, GOVERNOR	1	1	1	1
11	LON380250002-T040	BOLT, QUADRATE HEAD	1	1	1	1
12	LON380370048-T040	NUT, FLANGE	1	1	1	1
13	LON 171620001-T040	ARM, GOVERNOR	1	1	1	1
14	LON171610002-T040	SPRING, THROTTLE RETURN	1	1	1	1
15	LON171590002-T040	ROD, GOVERNOR	1	1	1	1
16	LON171680011-T040	CONTROL ASSY.	1	1	1	1



**AIR CLEANER**

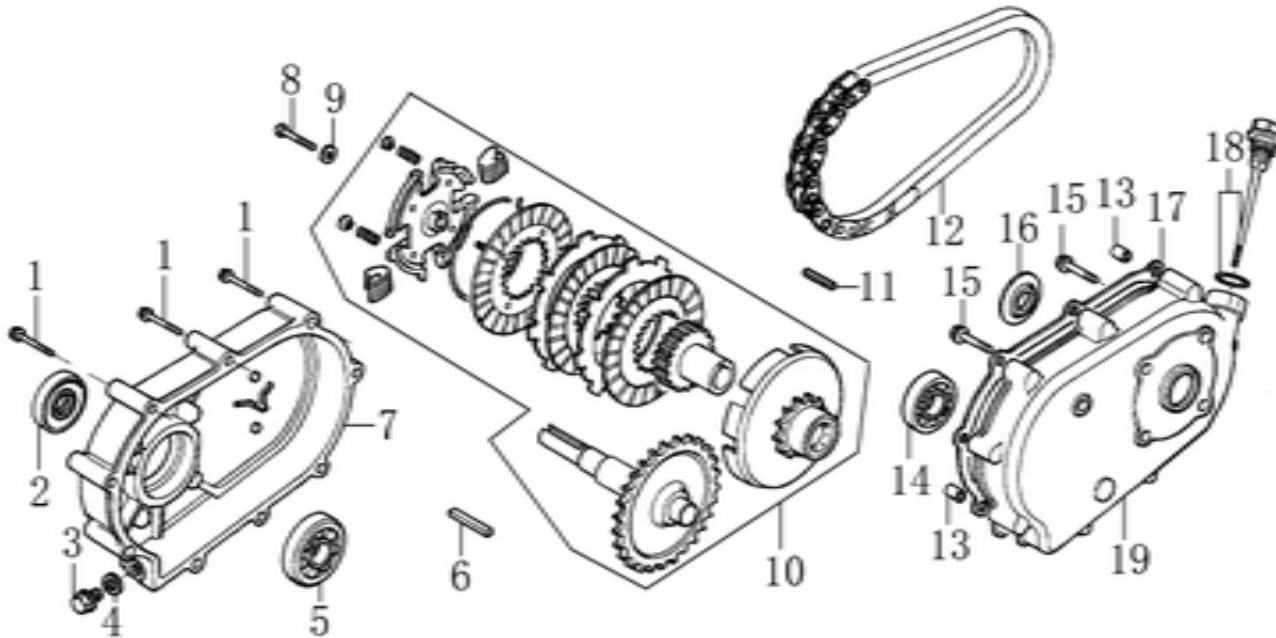
No.	Part No.	Description	Reqd. QTY			
			LC168F(D)-I	LC168F(D)-II	G160F(D)	G200F(D)
1	LON180020317-T040	AIR CLEANER ASSY	1	1	-	-
	LON180020313-T046	AIR CLEANER ASSY	-	-	1	1
2	LON380440002-T040	NUT , TOOL BOX SETTING	2	2	2	2
3	LON180070083-T040	COVER , AIR CLEANER	1	1	1	1
4	LON380310015-T040	SCREW	2	2	2	2
5	LON180100034-T040	ELEMENT ASSY. , AIR CLEANER	1	1	1	1
6	LON180330018-T040	NOSE , SILENCER	1	1	1	1
7	LON380840437-T040	PACKING , ELBOW	1	1	1	1
8	LON180280001-T040	ELBOW COMP., AIR CLEANER	1	1	1	1
9	LON380370048-T040	NUT , FLANGE , 6MM	2	2	2	2





FUEL TANK

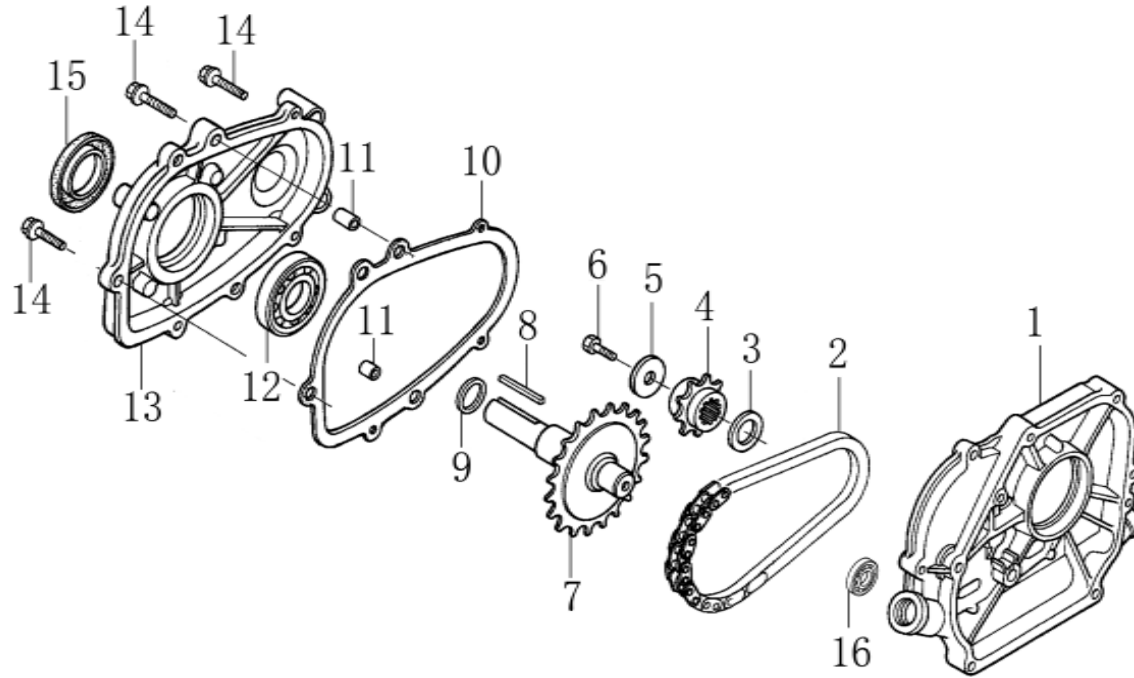
No.	Part No.	Description	Reqd. QTY			
			LC168F(D)-I	LC168F(D)-II	G160F(D)	G200F(D)
1	LON170870039-T040	CAP COMP ., FUEL FILLER	1	1	1	1
2	LON170720001-T040	FILTER, FUEL	1	1	1	1
3	LON380370048-T040	NUT, FLANGE, 6MM	2	2	2	2
4	LON170490120-T046	TANK COMP ., FUEL	1	1	1	1
5	LON170660077-T040	JOINT ASSY., FUEL TANK	1	1	1	1
6	LON380950188-T040	CLIP, TUBE	2	2	2	2
7	LON380750180-T040	TUBE, FUEL	1	1	1	1
8	LON380140102-T040	BOLT, FLANGE, 6x25	1	1	1	1
9	LON380920086-T040	WASHER,RUBBER	2	2	2	2



### CLUTCH RETARDER

No.	Part No.	Description	Reqd. QTY			
			LC168F(D)-I	LC168F(D)-II	G160F(D)	G200F(D)
1	LON380140186-T042	BOLT , FLANGE , 6×55	9	9	9	9
2	LON380650343-T042	OIL SEAL,30×50×8	1	1	1	1
3	LON110260024-T110	BOLT , DRAIN PLUG	1	1	1	1
4	LON380450516-0001	WASHER , DRAIN PLUG	1	1	1	1
5	LON380630140-T042	BEARING , RADIAL BALL	1	1	1	1
6	LON380620033-T042	KEY 5X5X40	1	1	1	1
7	LON191920001-T042	RETARDER CASE COVER	1	1	1	1
8	LON380140358-T042	BOLT , FLANGE , 8×30	1	1	1	1
9	LON380450566-T042	WASHER , HOLDER , 8.4×16×1.5	1	1	1	1
10	LON190010111-T042	CLUTCH ASSY.	1	1	1	1
11	LON380620032-T042	KEY 5X5X33	1	1	1	1
12	LON260010131-T042	CHAIN , RETARDER	1	1	1	1
13	LON380600120-T042	PIN , DOWEL ,8×14	2	2	2	2
14	LON380630137-T042	BEARING , RADIAL BALL	1	1	1	1
15	LON380140004-T042	BOLT , FLANGE 8×20	5	5	5	5
16	LON380821606-T042	WASHER , THRUST	1	1	1	1
17	LON191930007-T042	PACKING , RETARDER CASE COVER	1	1	1	1
18	LON110690011-T042	GUAGE ASSY. , OIL LEVEL	1	1	1	1
19	LON191910001-T042	RETARDER CASE	1	1	1	1





### RETARDER

No.	Part No.	Description	Reqd. QTY			
			LC168F(D)-I	LC168F(D)-II	G160F(D)	G200F(D)
1	LON110820015-T044	CASE COVER	1	1	1	1
2	LON260010132-T044	CHAIN,RETARDER	1	1	1	1
3	LON380450517-T044	WASHER	1	1	1	1
4、7	LON191950002-T044	CHAIN WHEEL	1	1	1	1
5	LON380450524-T520	WASHER	1	1	1	1
6	LON380140093-T044	BOLT 8×30	1	1	1	1
7	LON191960002-T044	OUTPUT SHAFT	1	1	1	1
8	LON380620058-0001	KEY 5X5X33	1	1	1	1
9	LON380450523-T044	WASHER	1	1	1	1
10	LON191930006-T044	PACKING	1	1	1	1
11	LON380600120-T040	PIN	2	2	2	2
12	LON380630137-T044	BEARING , RADIAL BALL	1	1	1	1
13	LON191920002-T044	COVER	1	1	1	1
14	LON380140028-T044	BOLT 8×32	6	6	6	6
15	LON380650334-T040	OIL SEAL	1	1	1	1
16	LON380630259-0001	BEARING , RADIAL BALL	1	1	1	1