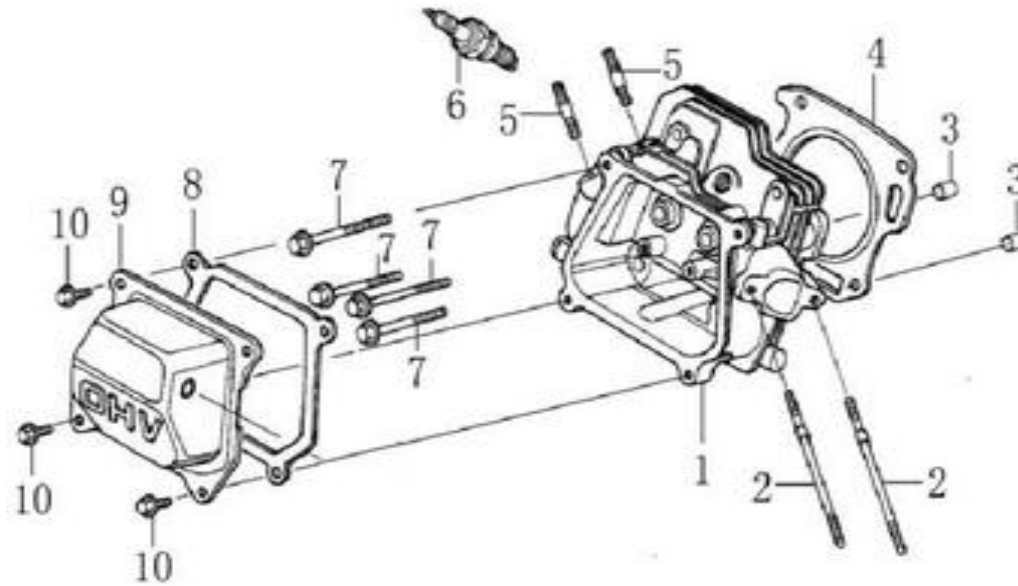




ILLUSTRATED PARTS LIST

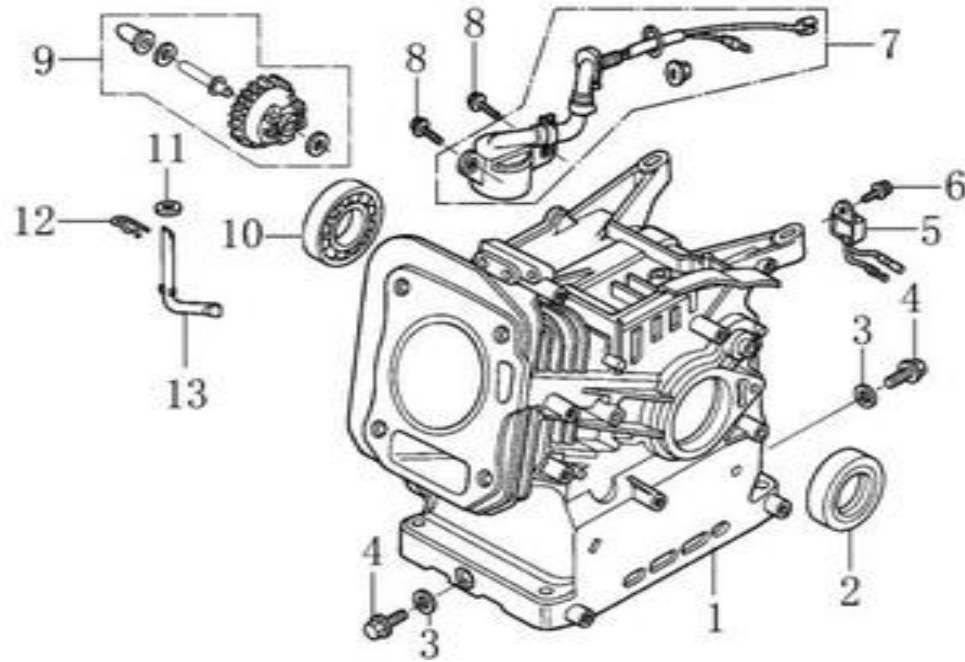
G120F





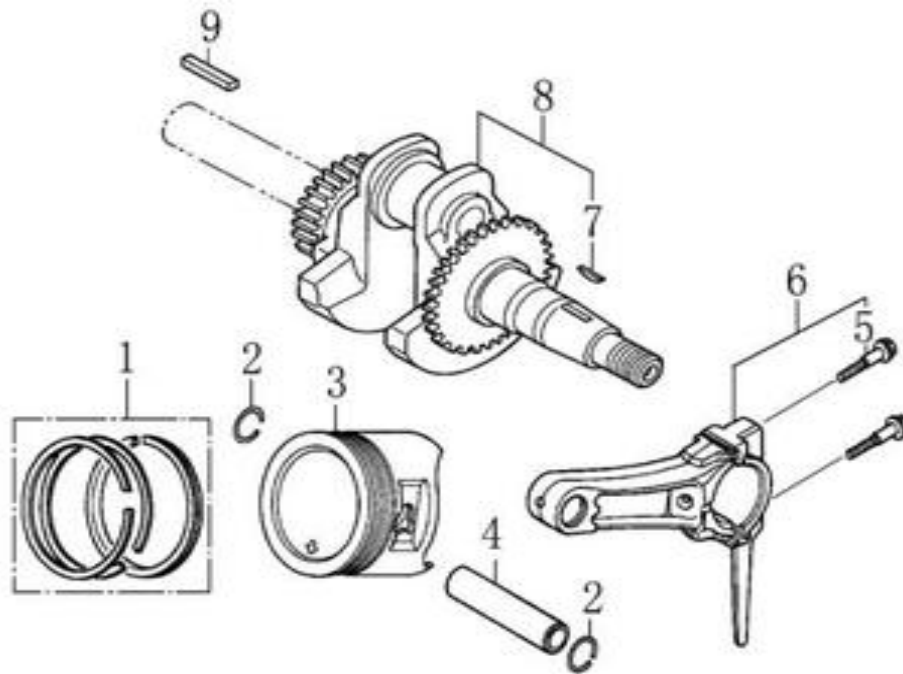
CYLINDER HEAD

No.	Part No.	Description	Reqd. QTY
1	LON120080274-T030	HEAD COMP .,CYLINDER	1
2	LON380180093-T040	BOLT , STUD , IN.	2
3	LON380600117-T040	PIN , DOWEL	2
4	LON120150147-T030	GASKET , CYLINDER	1
5	LON380180098-T040	BOLT , STUD , EX.	2
6	LON270960025-T040	PLUG , SPARK	1
7	LON380140338-T030	BOLT , FLANGE , 8*55	4
8	LON120250013-T040	PACKING , HEAD COVER	1
9	LON120220008-T040	COVER COMP ., HEAD	1
10	LON380140215-T040	BOLT , FLANGE , 6*14	4



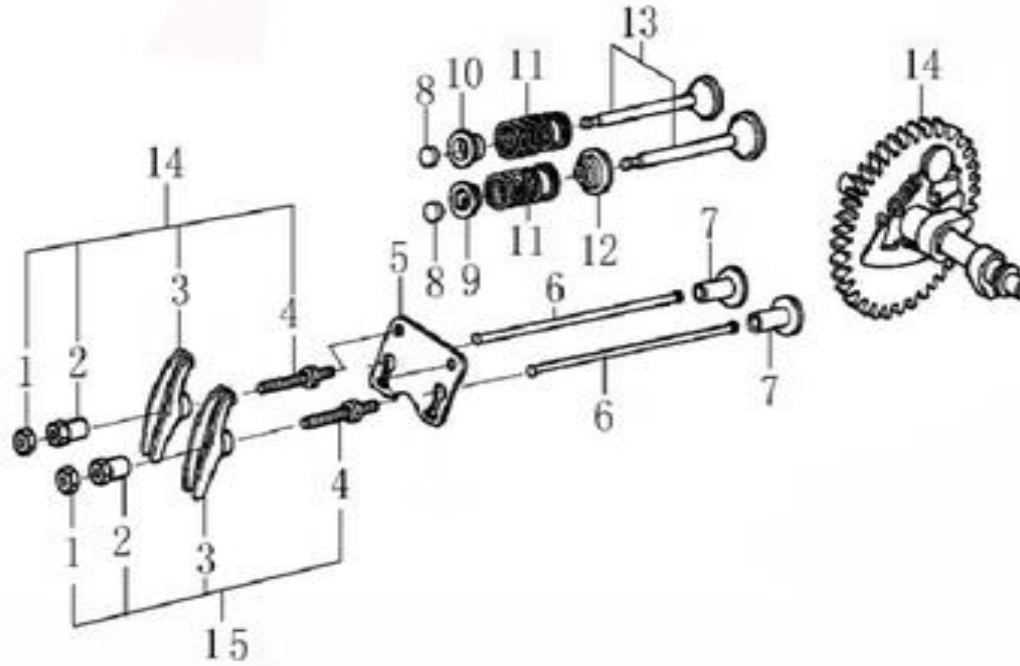
CRANK CASE

No.	Part No.	Description	Reqd. QTY
1	LON110810002-T030	CRANK CASE	1
2	LON380650342-T030	OIL SEAL 25×41.25×6	1
3	LON380450514-T040	WASHER , DRAIN PLUG	2
4	LON110260025-T040	BOLT , DRAIN PLUG	2
5	LON281890001-T040	ALART UNIT ,OIL	1
6	LON380140011-T040	BOLT , FLANGE , 6×10	1
7	LON281850150-T040	OIL LEVEL SWITCH	1
8	LON380140215-T040	BOLT , FLANGE , 6×14	2
9	LON171750003-T030	GOVERNOR GEAR ASSY.	1
10	LON380630200-0001	BEARING , RADIAL BALL	1
11	LON380450531-T040	WASHER , PLAIN	2
12	LON381350004-T040	PIN , LOCK	1
13	LON171630001-T040	SHAFT , GOVERNOR ARM	1



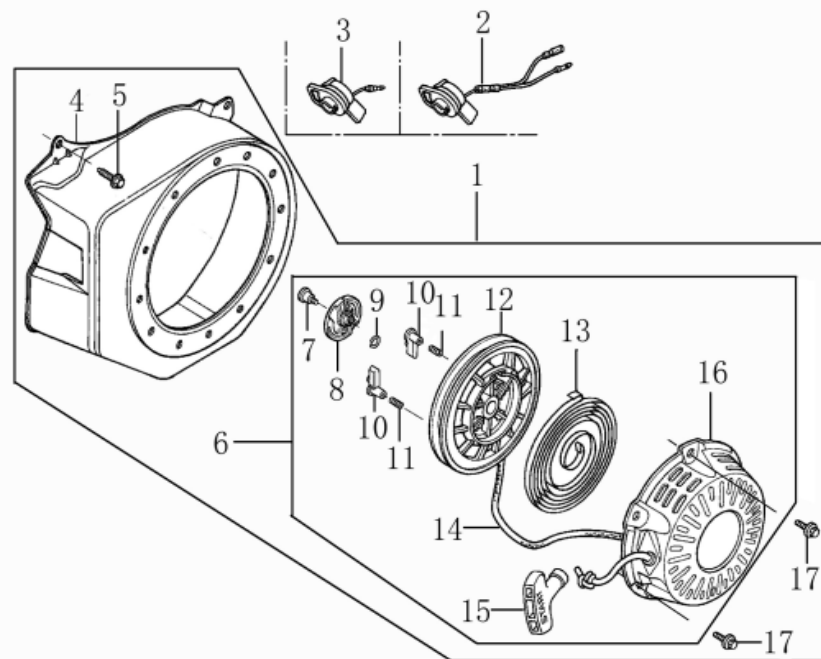
CRANKSHAFT/PISTON

No.	Part No.	Description	Reqd. QTY
1	LON130070078-T030	RING SET	1
2	LON380560055-T030	CLIP , PISTON PIN	2
3	LON130030080-T030	PISTON	1
4	LON130060030-T030	PIN , PISTON	1
5	LON130180001-0001	BOLT,CONNECTING ROD	2
6	LON130150038-T030	ROD ASSY ., CONNECTING	1
7	LON380620050-T040	KEY	1
8	LON130290003-T030	CRANKSHAFT COMP	1
9	LON380620031-0001	KEY	1



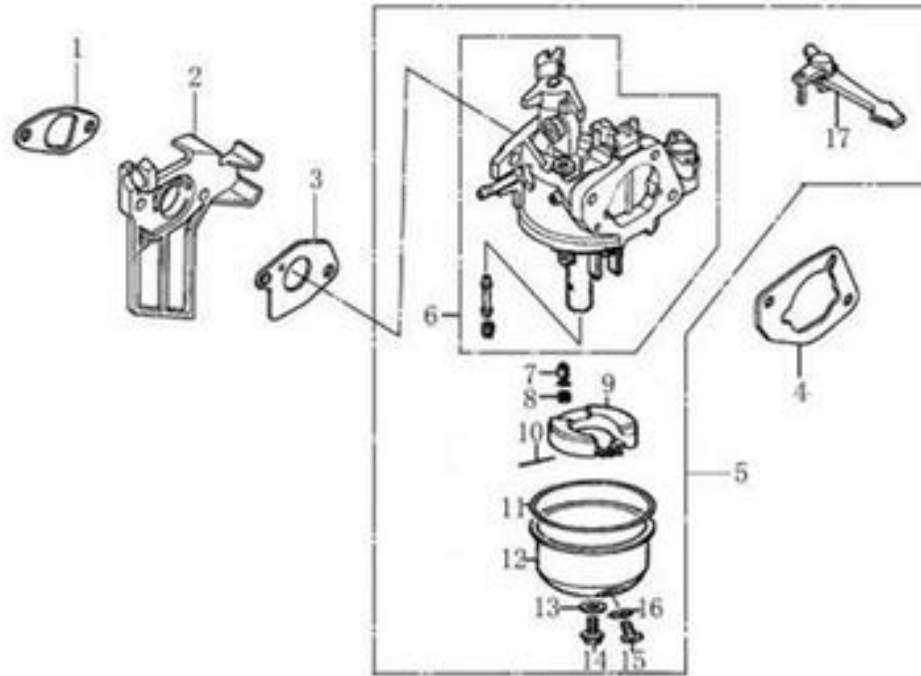
GAS DISTRIBUTION ADJUSTMENT

No.	Part No.	Description	Reqd. QTY
1	LON140470001-T040	NUT , PIVOT ADJUSTING	2
2	LON140490012-T040	PIVOT , ROCKER ARM	2
3	LON140460030-T040	ARM , VALVE ROCKER	2
4	LON140480012-T040	BOLT , PIVOT ARM	2
5	LON140710003-T320	PLATE , PUSH ROD GUIDE	1
6	LON140670007-T030	ROD , PUSH	2
7	LON140690002-T040	LIFTER , VALVE	2
8	LON140320001-T040	RATATOR , VALVE	2
9	LON140380026-T040	RETAINER , VALVE SPRING ,IN	1
10	LON140380017-T040	RETAINER , VALVE SPRING ,EX	1
11	LON140340022-T040	SPRING , VALVE	2
12	LON140400011-T040	SEAL , GUIDE	1
13	LON500550023-T030	VALVE COMP.	1
14	LON140020037-T030	CAMSHAFT ASSY.	1
15	LON140450022-T040	ARM COMP.	2



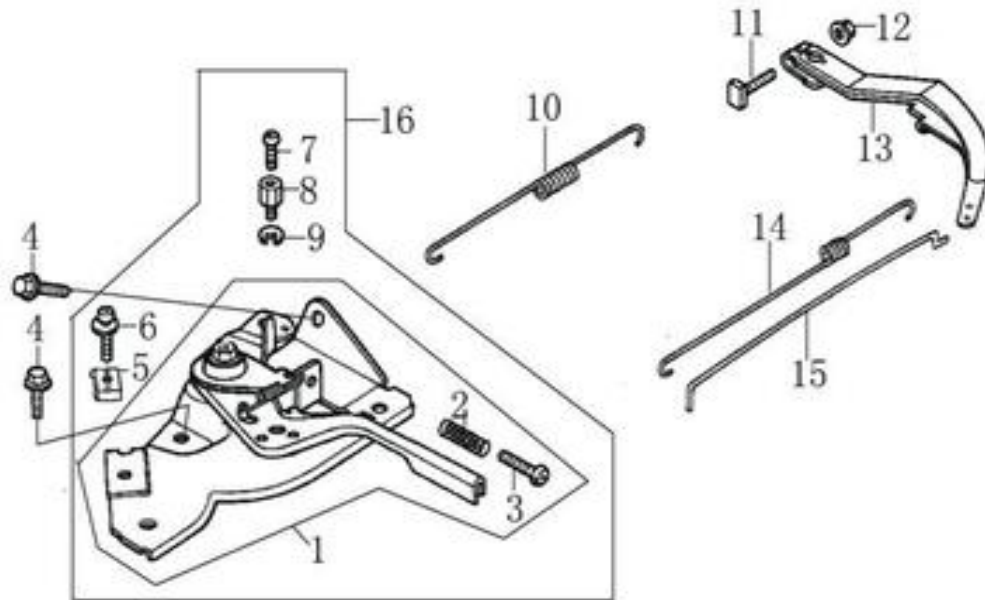
STARTER SUBASSEMBLY

No.	Part No.	Description	Reqd. QTY
1	LON193490006-T030	RECOIL STARTER COMP.	1
2	LON271660028-T040	SWITCH ASSY., ENGINE STOP	1
3	LON271660027-T040	SWITCH ASSY., ENGINE STOP(OIL ALERT)	1
4	LON160210030-T030	COVER COMP ., FAN	1
5	LON380140011-T040	BOLT , FLANGE 6×10	4
6	LON193500008-T040	STARTER ASSY.	1
7	LON380020067-T040	SCREW , SETTING	1
8	LON193550003-T040	GUIDE , RATCHET	1
9	LON381150342-T040	SPRING , FRICTION	1
10	LON193540003-T040	RATCHET , STARTER	2
11	LON381160090-T040	SPRING , RETURN	2
12	LON193520003-T040	REEL , RECOIL STARTER	1
13	LON193340018-T040	SPRING , RECOIL STARTER	1
14	LON193530004-T040	ROPE	1
15	LON193560003-T040	KNOB , RECOIL STARTER	1
16	LON193640002-T040	COVER COMP ., FAN	1
17	LON380140089-T040	BOLT , FLANGE 6×8	3



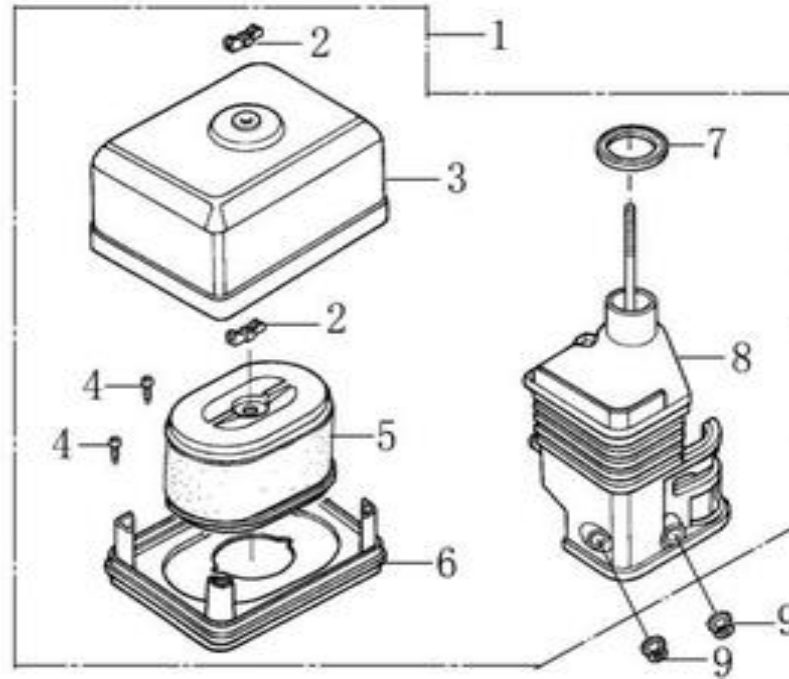
CARBURETOR

No.	Part No.	Description	Reqd. QTY
1	LON170430060-T05K	PACKING , INSULATOR	1
2	LON170440037-T030	INSULATOR , CARBURETOR	1
3	LON170430048-T05K	PACKING ., CARBURETOR	1
4	LON170430065-T040	SPACER COMP ., AIR CLEANER	1
5	LON170020404-T030	CARBURETOR	1
6	LON170160048-T030	CARBURETOR'S NOUMENON	1
7	LON170180050-T040	VALVE , FLOAT	1
8	LON381150336-T040	SPRING , VALVE SET	1
9	LON170280034-T030	FLOAT	1
10	LON170290017-T040	PIN , FLOAT	1
11	LON380840455-T040	GASKET , OIL CUP	1
12	LON170250021-T040	OIL CUP	1
13	LON380450539-T040	GASKET , OIL CUP BOLT	1
14	LON380140353-T040	BOLT , OIL CUP	1
15	LON172930001-T040	BOLT ,DRAIN	1
16	LON380450577-T040	GASKET , DRAIN BOLT	1
17	LON172920001-T040	LEVER ASSY.,CHOKE	1



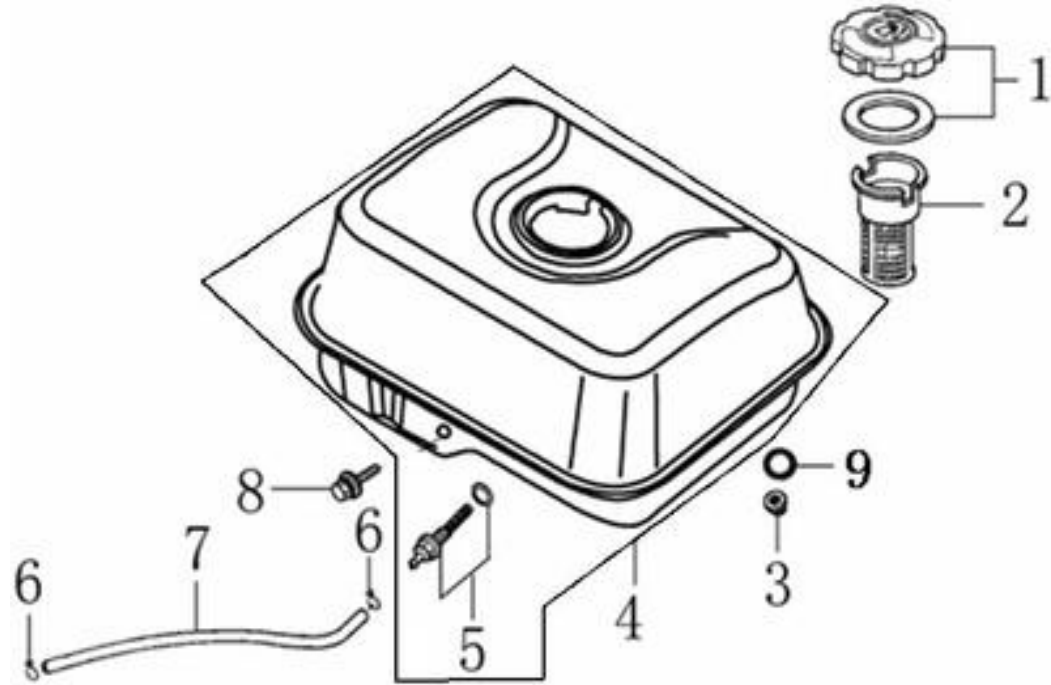
CONTROL SYSTEM

No.	Part No.	Description	Reqd. QTY
1	LON171680003-T030	CONTROL ASSY.	1
2	LON171660001-T040	SPRING	1
3	LON380200017-T040	SCREW , 5×35	1
4	LON380140011-T040	BOLT, FLANGE	2
5	LON171710004-T040	HOLDER, CABLE	1
6	LON380200010-0005	SCREW , 5×25	1
7	LON380200037-0003	SCREW , 4×6	1
8	LON171720001-0001	HOLDER, WIRE	1
9	LON380570018-0002	CIRCLIP	1
10	LON171600002-T030	SPRING, GOVERNOR	1
11	LON380250002-T040	BOLT, QUADRATE HEAD	1
12	LON380370048-T040	NUT, FLANGE	1
13	LON 171620001-T040	ARM, GOVERNOR	1
14	LON171610005-T030	SPRING, THROTTLE RETURN	1
15	LON171590001-T030	ROD, GOVERNOR	1
16	LON171680015-T030	CONTROL ASSY.	1



AIR CLEANER

No.	Part No.	Description	Reqd. QTY
1	LON180020313-T046	AIR CLEANER ASSY	1
2	LON380440002-T040	NUT , TOOL BOX SETTING	2
3	LON180070087-T046	COVER , AIR CLEANER	1
4	LON380310015-T040	SCREW	2
5	LON180100034-T040	ELEMENT ASSY. , AIR CLEANER	1
6	LON180330018-T040	NOSE , SILENCER	1
7	LON380840437-T040	PACKING , ELBOW	1
8	LON180280001-T040	ELBOW COMP., AIR CLEANER	1
9	LON380370048-T040	NUT , FLANGE , 6MM	2



FUEL TANK

No.	Part No.	Description	Reqd. QTY
1	LON170870039-T040	CAP COMP ., FUEL FILLER	1
2	LON170720001-T040	FILTER , FUEL	1
3	LON380370048-T040	NUT , FLANGE , 6MM	2
4	LON170490517-T030	TANK COMP ., FUEL	1
5	LON170660077-T040	JOINT ASSY. , FUEL TANK	1
6	LON380950188-T040	CLIP , TUBE	2
7	LON380750180-T040	TUBE , FUEL	1
8	LON380140102-T040	BOLT , FLANGE , 6x25	1
9	LON380920086-T040	WASHER,RUBBER	2