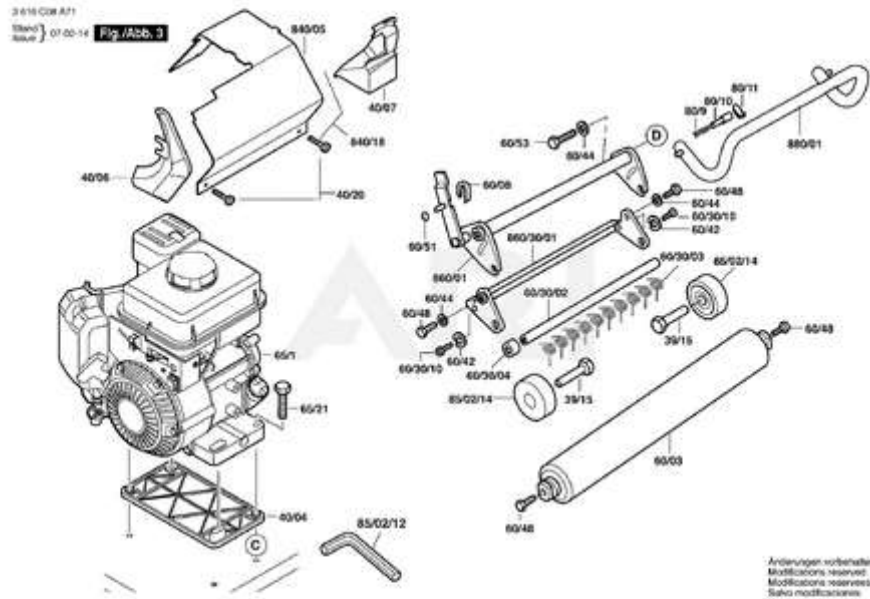


ROVKENS17L - Axle



www.outdoorking.com

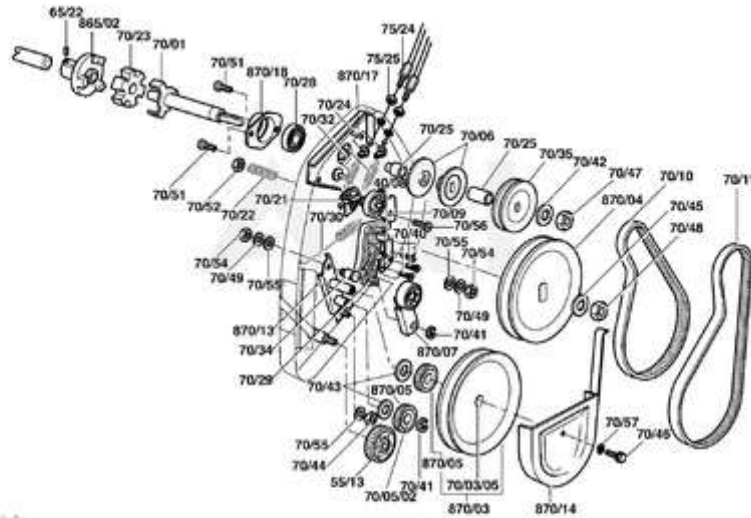
Ref #	Part #	Description	Qty	Context Note
39/15	F016A75784	Axle	2	
40/20	F016A57756	Cross RecessedHead Screw M5	5	
60/03	F016A75794	Roller	1	
60/08	F016A57675	Bushing	1	
60/30/02	F016L64561	Spindle	1	
60/30/03	F016A57887	Spring	41	
60/30/04	F016A57930	Spacer	1	
60/30/10	F016L18120	Hex crew M 6x12	2	
60/48	F016T48048	Hex Screw M 8	4	
60/53	F016W25213	Hex crew WAS 170	1	
65/21	F016A58093	Trunnion M8	2	
80/9	F016A58364	Location Pin	1	
80/10	F016A58365	Spring	1	
80/11	F016A58366	Retaining snap ring	1	
840/05	F016J10691	Protective Cover 17"	1	
860/01	F016A75847	Roller Carrier	1	
860/30/01	F016I03699	Rake	1	
880/01	F016J10705	Support Tube	1	
	F016J10423	Decal Kens 17B	1	
65/1	F016J10377	Engine Briggs Stratton	1	

www.outdoorking.com

ROVKENS17L - Belt & Pulley

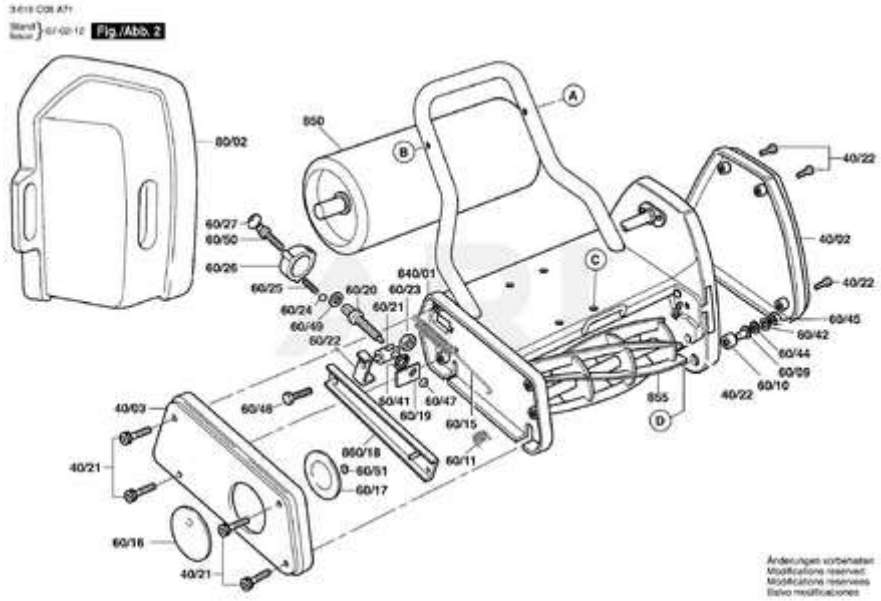
3 816 C08 A/1
Stand
Issue

Fig./Abb. 4



Ref #	Part #	Description	Qty	Context Note
55/13	F016A57590	Cylinder Toothed Gear	1	
65/22	T006167	Screw	2	
70/01	F016A75666	Drive Shaft	1	
70/03/05	F016A57764	Bushing	1	
70/05/02	F016A57761	Bushing	1	
70/06	F016A58726	Pulley 46 MM	2	
70/10	F016A58728	Roller Drive Belt	1	
70/11	F016A57941	Cylinder Drive Belt	1	
70/21	F016A58315	Spacer	1	
70/22	F016A58316	Spring	1	
70/23	F016L09518	Coupling	1	
70/24	F016L66172	Support	2	
70/25	F016A57780	Spacer	3	
70/28	F016A57838	Ball Bearing	1	
70/29	F016A58531	Governor Spring	1	
70/30	F016A58530	Governor Spring	1	
70/32	F016L08487	Spring	2	
70/34	F016A58422	Journal	1	
70/35	F016L09227	Pulley	1	
70/41	F016A57759	Spring retaining ring	2	
70/42	F016L35411	Plain asher 8,5 MM	1	
70/43	F016A58725	Plain Washer M 16	2	
70/44	F016L11218	Selflocking nut M8	1	
70/45	F016L17849	Plain Washer	1	
70/46	F016L18120	Hex crew M 6x12	1	
70/48	F016L23210	Nut M12	1	
70/49	F016L35307	Spring asher 5/16 SW SE	2	
70/51	F016L35387	SelfCutting Screw M6	2	
70/52	F016L35388	Selflocking nut M6	1	
70/54	F016L35457	Nut M8	2	
70/55	F016T42988	Washer	2	
70/56	F016T48017	Trunnion	1	
70/57	F016L35389	Locking Washer	1	
870/03	F016102377	Pulley & Gear	1	
870/04	F016103221	Roller Pulley	1	
870/05	F016102379	Toothed Gear	1	
870/07	F016102282	Roller	1	
870/13	F016102977	Gear Support S/A	1	
870/14	F016102818	Guide Piece	1	
870/17	F016103154	Release Disc	1	
870/18	F016103153	Bearing Holder	1	
865/02	F016J10773	Drive Coupling	1	

ROVKENS17L - Cover



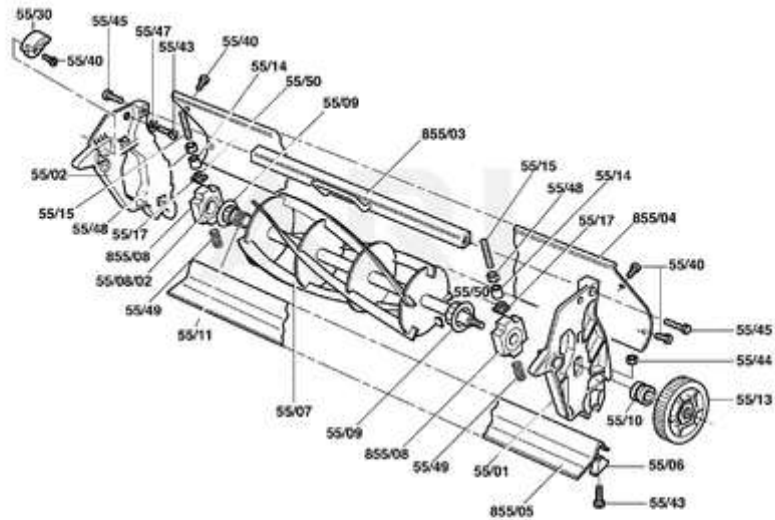
Ref #	Part #	Description	Qty	Context Note
40/02	F016J10689	Protective Cover LH	1	
40/03	F016J10690	Side Cover RH	1	
40/21	F016A58228	Screw M6	4	
40/22	F016A58229	Screw M6	6	
60/09	F016A57748	Pivot L/H	1	
60/10	F016A57676	Cap	1	
60/11	F016A57820	Spring	1	
60/15	F016A57995	Spring	1	
60/16	F016A57576	Cover	1	
60/17	F016A57577	Washer	1	
60/19	F016A75521	Retaining Plate	1	
60/20	F016A58231	Spindle	1	
60/21	F016A58233	Nut	1	
60/22	F016A75786	Guide	1	
60/23	F016A58232	Nut	1	
60/24	F016T48358	Ball Bearing	1	
60/25	F016T48420	Compression Spring	1	
60/26	F016A58730	Knob	1	
60/27	F016T48421	Sealing cap	1	
60/41	F016L32612	Retaining clip	1	
60/42	F016L35307	Spring Washer 5/16 SW SE	3	
60/44	F016L35411	Plain washer 8,5 MM	4	
60/45	F016L35457	Nut M8	3	
60/46	F016T46338	Trunnion	1	
60/47	F016T46684	Washer	1	
60/49	F016T48359	Washer	1	
60/50	F016T48457	Screw M 6	1	
60/51	F016T48549	Set ring	1	
80/02	F016J10707	Grass Box	1	
840/01	F016J10686	Housing	1	
850	F016103216	Spare Part	1	
855	QCC176EX	CARTRIDGE	1	
860/18	F016103796	Linkage	1	

ROVKENS17L - Spindle

3 5/16 C08 A71

Stand
Issue 07-08-12

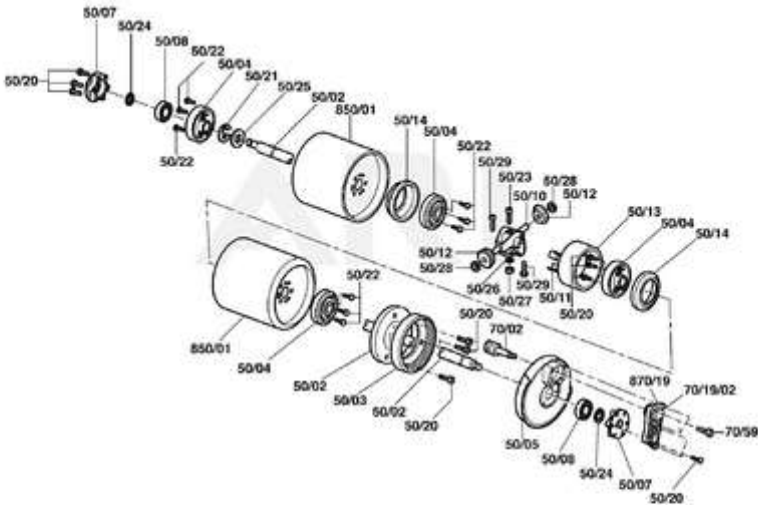
Fig./Abb. 5



Ref #	Part #	Description	Qty	Context Note
55/01	F016A75001	Side Plate L/H	1	
55/02	F016A75002	Side Plate R/H	1	
55/06	F016A75065	Spacing Block	2	
55/07	F016A58820	Spindle	1	
55/08/02	F016A58741	Bearing	2	
55/09	F016A58854	Shield	2	
55/10	F016A58855	Sleeve	1	
55/11	F016A58856	Clamping Spring	1	
55/14	F016A57669	Adjusting Part	2	
55/15	F016A57713	Adjusting Screw	2	
55/17	F016T41057	Square Shaft	2	
55/30	F016A58811	Buffer	2	
55/40	F016A57756	Cross Recessed Head Screw M5	6	
55/43	F016A58229	Screw M6	2	
55/44	F016L35388	Selflocking nut M6	2	
55/45	F016T49288	Screw M6x25 Hex	2	
55/48	F016L35457	Nut M8	2	
55/49	F016T47205	Spring	2	
55/50	F016T49443	Washer	2	
855/03	F016A75052	Cartridge Handle 17"	1	
855/04	F016103771	Deflector Plate	1	
855/05	F016101517	Lower Blade	1	
855/08	F016102805	Bearing Housing Assembly	2	
	F016J10404	Cartiridge Decal	1	

ROVKENS17L - Spindle Assembly

3 616 C08 AP1
Stand } 01/00-12 Fig./Abb. 6
Blau }

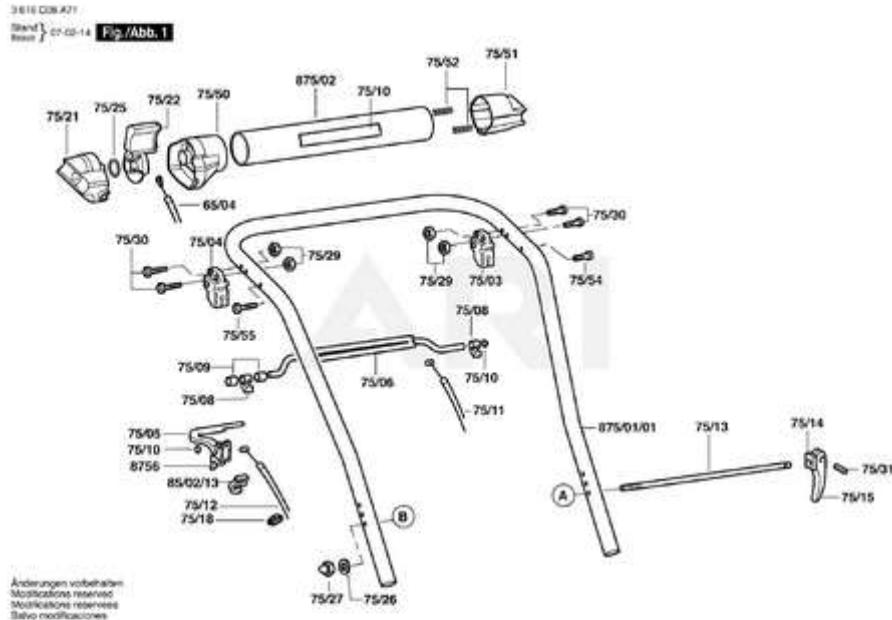


Ref #	Part #	Description	Qty	Context Note
50/02	F016A58437	Spindle Assembly	1	
50/03	F016A57635	Ring	1	
50/04	F016A57674	Toothed Gear	4	
50/05	F016A75403	Protection cover	1	
50/07	F016102093	Bearing Holder	2	
50/08	F016A57838	Ball Bearing	2	
50/10	F016L66596	Clamping Piece	2	
50/11	F016A58483	Clamp	2	
50/12	F016A57499	Toothed Gear	2	
50/13	F016A57832	Plate	1	
50/14	F016A57823	Plastic Collar	2	
50/20	F016A57756	Cross RecessedHead Screw M5	9	
50/21	F016A57758	Outer Ring	1	
50/22	F016A58178	Rivet Pin	9	
50/23	F016A58385	Screw	1	
50/24	F016A58441	Retaining clip	2	
50/25	F016A58577	Plain Washer M 20	7	
50/26	F016L35316	Plain asher 8,5 MM	1	
50/27	F016L35388	Selflocking nut M6	1	
50/28	F016T49100	Set ring 2 MM T40	2	
50/29	F016T46295	Screw	2	
70/02	F016102295	Shaft	1	
70/19/02	F016A57764	Bushing	2	
70/59	F016T49429	SelfCutting Screw 4x19 MM	3	
850/01	F016103776	Roller	2	
870/19	F016103210	Holder	1	

Ref #

Part #
ROVKENS17L - Upper Handle

Description



www.outdoorking.com

Ref #	Part #	Description
65/04	F016J10429	Throttle Cable 1
75/03	F016L36720	Spare Part L/H 1
75/04	F016L36721	Spare Part R/H 1
75/05	F016103833	Lever 1
75/06	F016L36714	Control Lever 1
75/08	F016L36717	Cable Grip 2
75/09	F016L36719	Bushing 3
75/10	F016T48990	Cover BLACK 8 MM 2
75/11	F016A58035	Cable Rear Roller 1
75/12	F016A58040	Adjusting Part 1
75/12	F016A58036	Clutch Cable 1
75/13	F016A58203	Locking Pin 1
75/14	F016T48856	Lever 1
75/15	F016T48384	Lever 1
75/18	F016W26070	Cable Strap 3
75/21	F016A75800	Bracket 1
75/22	F016L66176	Control Lever 1
75/25	F016L59927	Nut M 4 1
75/26	F016L22700	Spring Washer M6 1
75/27	F016L22701	Special Nut 1
75/29	F016L36836	Nut M5 4
75/30	F016A75751	Screw M 5x32 4
75/31	F016T56145	Straight Pin 1
75/50	F016A75816	Adapter 1
75/51	F016A75817	Adapter 1
75/52	F016T49226	Compression Spring 2
75/54	F016A75820	Screw 1
75/55	F016A75798	Screw 1
875/01	F016J10698	Handle 1
875/02	F016J10701	Cross Tube 1