



MOWERS

DRAWING OF VERTICAL ENGINE



MODELS

sx4000

i4500

i5000

i5500

ROVER MOWERS LIMITED, 155 FISON AVENUE WEST, EAGLE FARM, QLD, 4009

PHONE: 1800 803 537

FAX: 1800 806 659

(Instruction for use of parts catalogue)

This parts catalogue was prepared based on the latest information available as of August 2008.

See the parts catalogue news for any revision that is made after August 2008.

Always specify the part number when ordering a part.

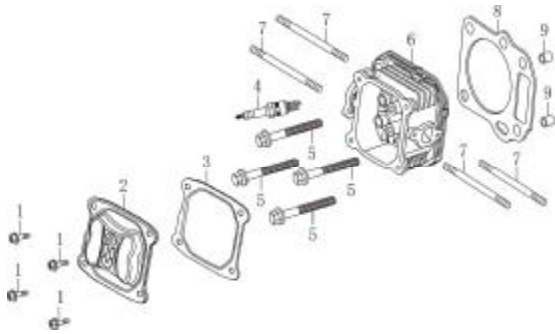
Note: The illustrations can differ from the actual parts in shape.

When modifications or additions to this parts catalogue are made, a revised edition will be issued at an appropriate time. We recommend obtaining such revisions in order to keep your parts catalogue up-to-date at all times. To check whether a parts catalogue revision has been issued, please contact Rover Mowers Ltd.

(Example)

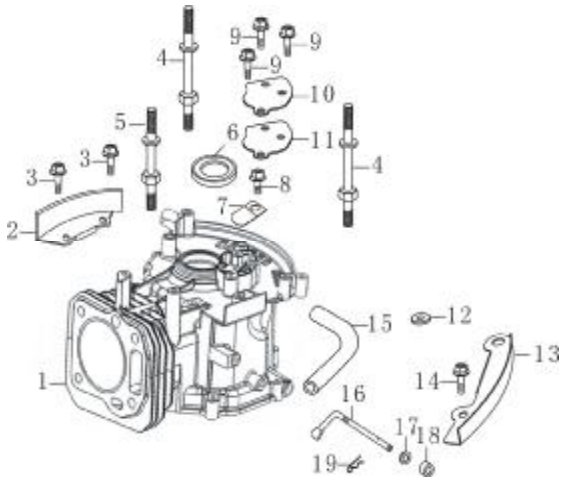
| (Crankcase) | | | | | | |
|-------------|-----------------|------------------|--------------|-------|-------|-------|
| No. | Part No. | Description. | (Reqd. QTY.) | | | |
| | | | sx4000 | i4500 | i5000 | i5500 |
| 1 | L110810053-0001 | CRANK CASE COMP. | 1 | 1 | | |

(Cylinder Head)



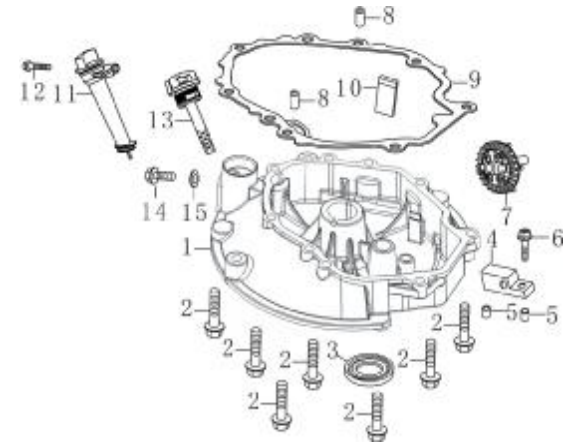
Page 1

(Crankcase)



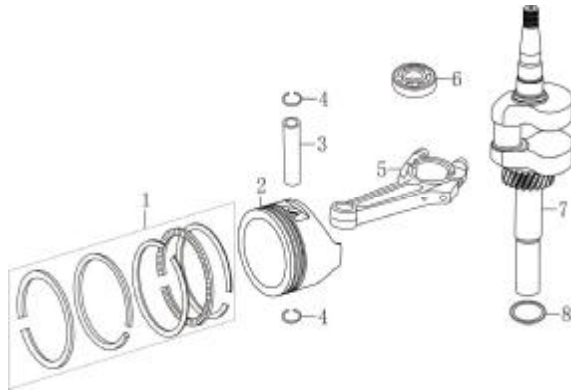
Pages 2 & 3

(Crankcase Cover)



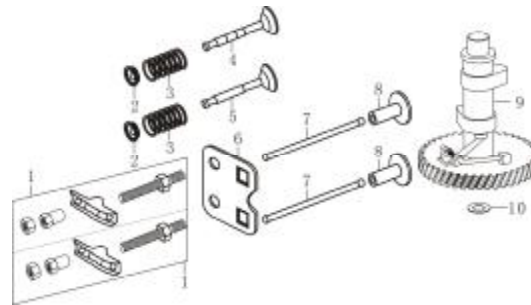
Pages 4 & 5

(Crankshaft / Piston / Connecting Rod)



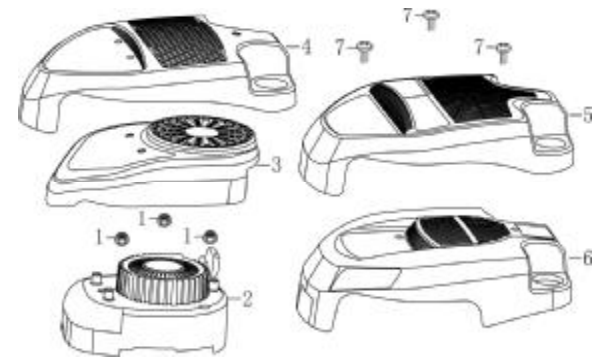
Page 6

(Camshaft)



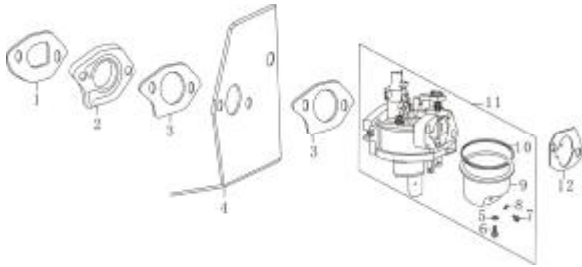
Page 7

(Starter)



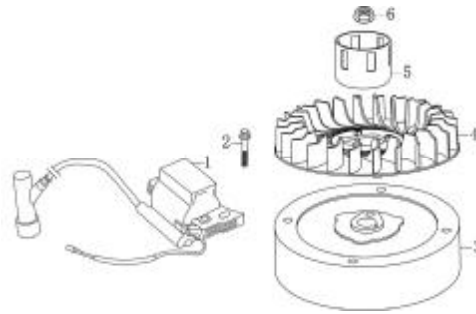
Page 8

(Carburetor)



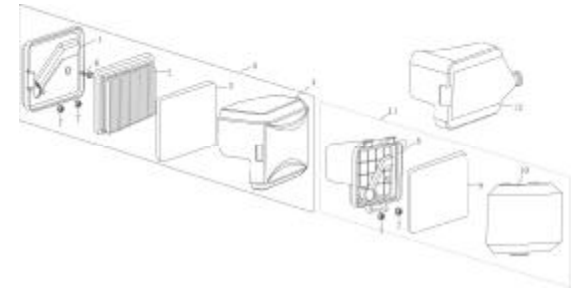
Pages 9 & 10

(Flywheel / Ignition Comp)



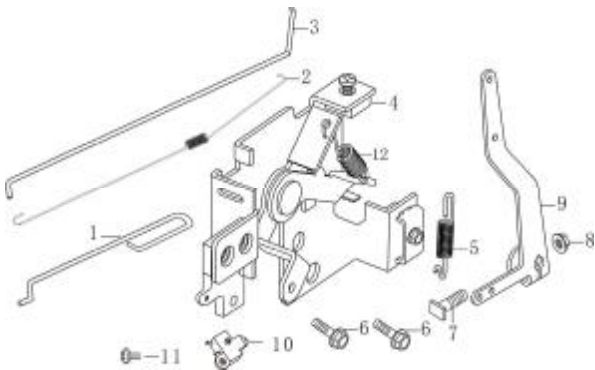
Page 11

(Air Cleaner)



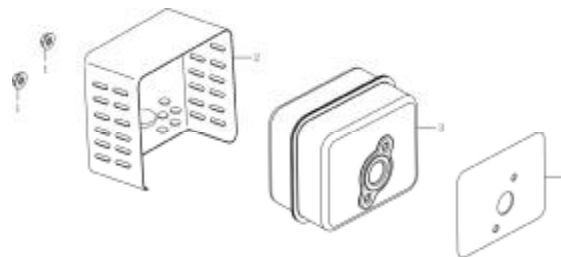
Page 12

(Control)



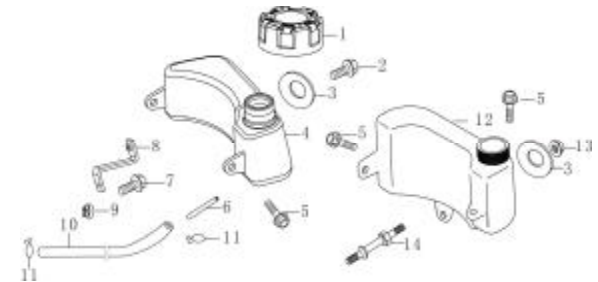
Page 13

(Muffler)

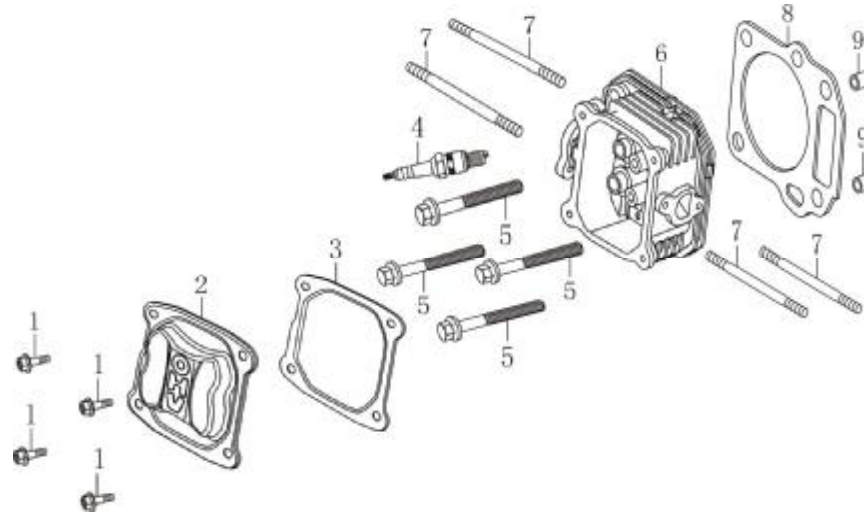


Page 14

(Fuel Tank)

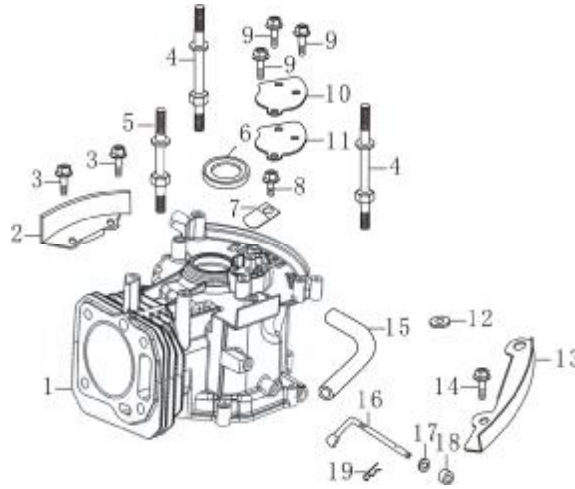


Pages 15 & 16



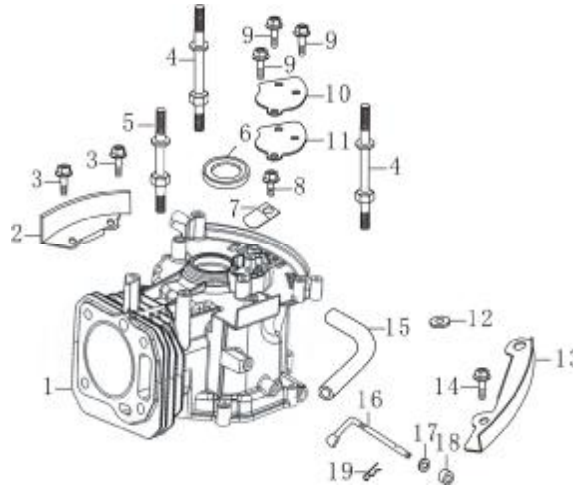
(Cylinder head)

| No. | Part No. | Description | (Reqd. QTY.) | | | |
|-----|-----------------|-----------------------------|---------------|-------|-------|-------|
| | | | sx4000 | i4500 | i5000 | i5500 |
| 1 | L380140209-0001 | BOLT, FLANGE M6*14 | 4 | 4 | 4 | 4 |
| 2 | L120230046-0001 | COVER COMP. HEAD | 1 | 1 | 1 | 1 |
| 3 | L120250014-0001 | PACKING, HEAD COVER | 1 | 1 | 1 | 1 |
| 4 | L270960014-0001 | PLUG, SPARK F7RTC | 1 | 1 | 1 | 1 |
| 5 | L380140360-0001 | BOLT, CONNECTING, ROD M8*50 | 4 | 4 | 4 | 4 |
| 6 | L120080288-0001 | HEAD COMP, CYLINDER | 1 | 1 | 1 | 1 |
| 7 | L380180101-0001 | BOLT, STUD M6*95 | 4 | 4 | 4 | 4 |
| 8 | L120150089-0001 | GASKET, CYLINDER | 1 | 1 | | |
| | L120150086-0001 | GASKET, CYLINDER | | | 1 | 1 |
| 9 | L380600117-0001 | PIN, DOWEL, 10*14 | 2 | 2 | 2 | 2 |
| | | | | | | |
| | | | | | | |
| | | | | | | |



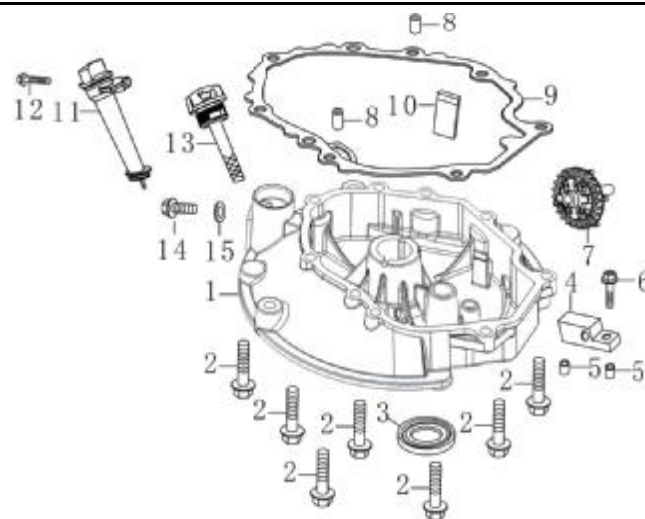
(Crankcase)

| No. | Part No. | Description | (Reqd. QTY.) | | | |
|-----|-----------------|-------------------------------|--------------|-------|-------|-------|
| | | | sx4000 | i4500 | i5000 | i5500 |
| 1 | L110810053-0001 | CRANKCASE | 1 | 1 | | |
| | L110810052-0001 | CRANKCASE | | | 1 | 1 |
| 2 | L160200022-0001 | SHIELD, TANK SIDE | 1 | 1 | 1 | 1 |
| 3 | L380140013-0005 | BOLT, FLANGE M6*16 | 2 | 2 | 2 | 2 |
| 4 | L380850006-0001 | BOLT, STUD 6*85 | 2 | 2 | 2 | 2 |
| 5 | L380850002-0001 | BOLT, STUD 6*78.5 | 1 | 1 | 1 | 1 |
| 6 | L380650335-0001 | OIL SEAL 25*38*7 | 1 | 1 | 1 | 1 |
| 7 | L140250006-0001 | REED VALVE | 1 | 1 | 1 | 1 |
| 8 | L380140011-0004 | BOLT, FLANGE M6*10 | 1 | 1 | 1 | 1 |
| 9 | L380140001-0006 | BOLT, FLANGE M6*12 | 3 | 3 | 3 | 3 |
| 10 | L110840010-0001 | CAP, BREATHER CHAMBER | 1 | 1 | 1 | 1 |
| 11 | L110850010-0001 | PACKING, BREATHER CHAMBER | 1 | 1 | 1 | 1 |
| 12 | L380821590-0001 | BUSH, INSTALL BOLT 6.2*13*2.5 | 1 | 1 | 1 | 1 |



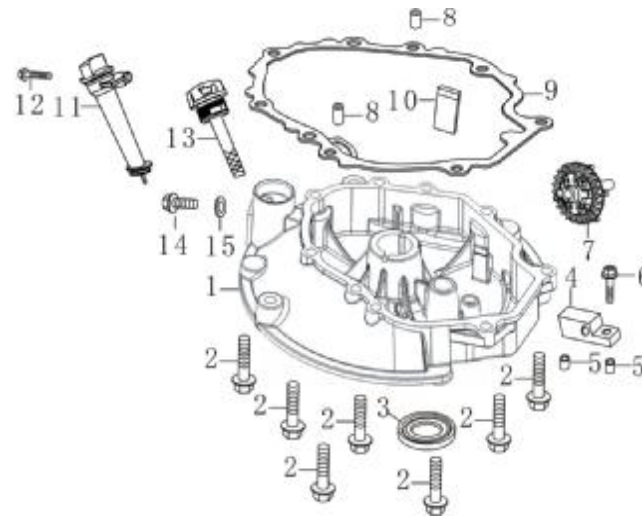
(Crankcase)

| No. | Part No. | Description | (Reqd. QTY.) | | | |
|-----|-----------------|---------------------|---------------|-------|-------|-------|
| | | | sx4000 | i4500 | i5000 | i5500 |
| 13 | L160200033-0001 | SHIELD, TANK SIDE | 1 | 1 | 1 | 1 |
| 14 | L380140067-0003 | BOLT, FLANGE M6*12 | 1 | 1 | 1 | 1 |
| 15 | L380740521-0001 | TUBE, BREATHER | 1 | | | |
| | L380740522-0001 | TUBE, BREATHER | | 1 | 1 | 1 |
| 16 | L171630010-0001 | SHAFT, GOVERNOR ARM | 1 | 1 | 1 | 1 |
| 17 | L380450531-0001 | WASHER 6*13*1 | 1 | 1 | 1 | 1 |
| 18 | L380650338-0001 | OIL SEAL 6*11*4 | 1 | 1 | 1 | 1 |
| 19 | L381350004-0001 | PIN, LOCK | 1 | 1 | 1 | 1 |
| | | | | | | |
| | | | | | | |
| | | | | | | |
| | | | | | | |



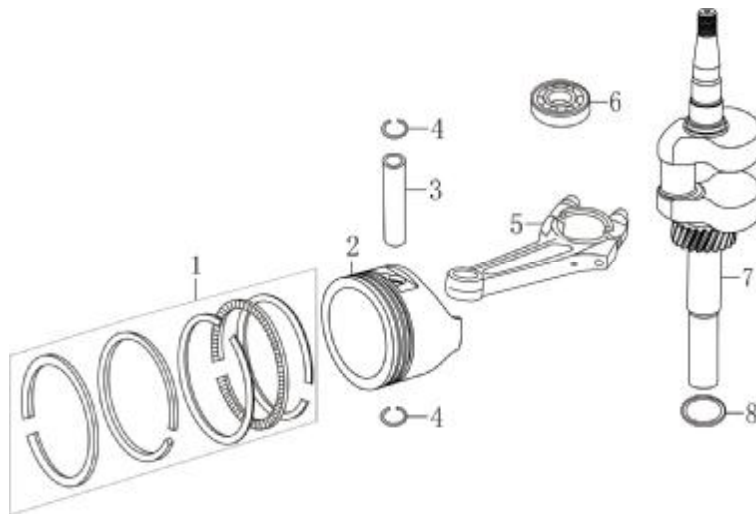
(Crankcase cover)

| No. | Part No. | Description | (Reqd. QTY.) | | | |
|-----|-----------------|------------------------|--------------|-------|-------|-------|
| | | | sx4000 | i4500 | i5000 | i5500 |
| 1 | L110820034-0001 | CASE COVER | 1 | | | |
| | L110820038-0001 | CASE COVER | | 1 | 1 | 1 |
| 2 | L380140024-0006 | BOLT, FLANGE M6*28 | 7 | 7 | 7 | 7 |
| 3 | L380650347-0001 | OIL SEAL | 1 | 1 | 1 | 1 |
| 4 | L171640003-0001 | PLATE, GOVERNOR HOLDER | 1 | 1 | 1 | 1 |
| 5 | L380600121-0001 | PIN, DOWEL 8*10 | 2 | 2 | 2 | 2 |
| 6 | L380140333-0001 | BOLT, FLANGE M6*18 | 1 | 1 | 1 | 1 |
| 7 | L171750013-0001 | GOVERNOR COMP | 1 | 1 | 1 | 1 |
| 8 | L380600120-0001 | PIN, DOWEL 8*14 | 2 | 2 | 2 | 2 |
| 9 | L110830025-0001 | PACKING, CASE COVER | 1 | 1 | 1 | 1 |
| 10 | L150570002-0001 | RUBBER, OIL DEFLECTOR | 1 | 1 | 1 | 1 |
| 11 | L110690016-0001 | CAP ASSY | | 1 | 1 | 1 |
| 12 | L380140100-0003 | BOLT, FLANGE M6*35 | | 1 | 1 | 1 |



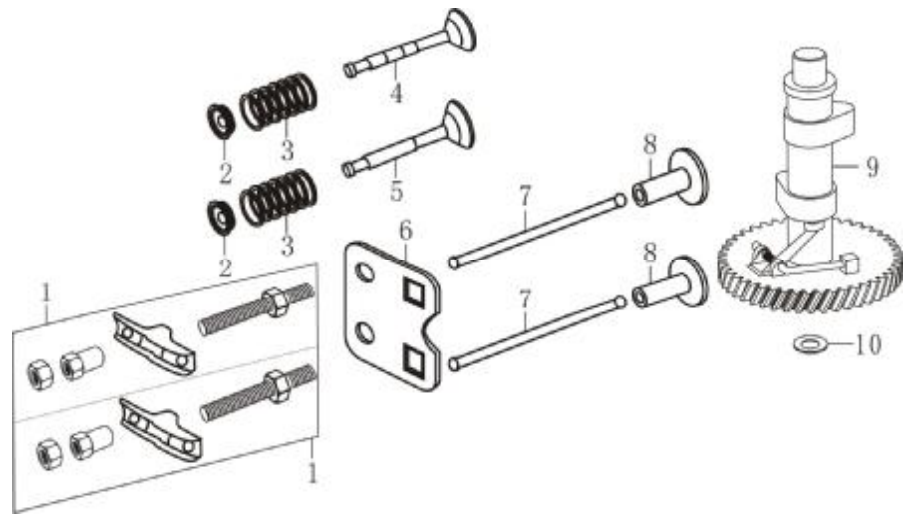
(Crankcase cover)

| No. | Part No. | Description | (Reqd. QTY.) | | | |
|-----|-----------------|------------------|---------------|-------|-------|-------|
| | | | sx4000 | i4500 | i5000 | i5500 |
| 13 | L110690028-0001 | CAP ASSY | 1 | | | |
| 14 | L110260025-0001 | DRAIN BOLT | | 1 | 1 | 1 |
| 15 | L380450514-0001 | WASHER 10*16*1.5 | | 1 | 1 | 1 |
| | | | | | | |
| | | | | | | |
| | | | | | | |
| | | | | | | |
| | | | | | | |
| | | | | | | |
| | | | | | | |
| | | | | | | |



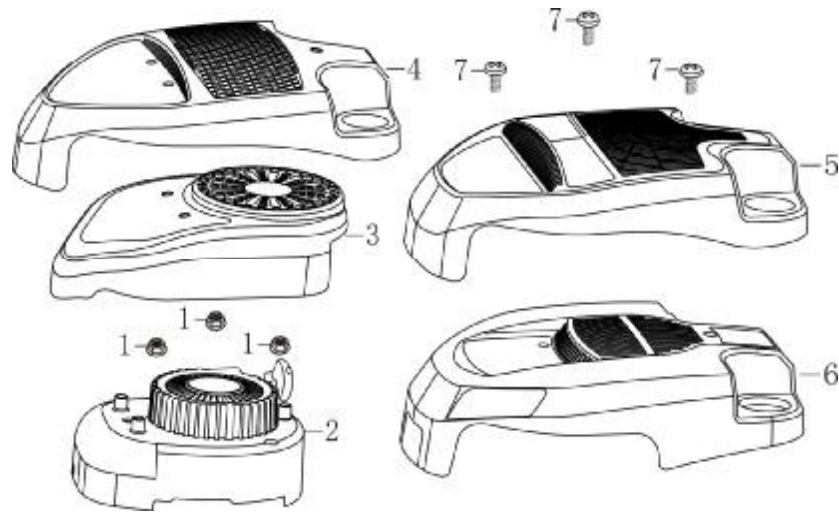
(Crankshaft/Piston/connecting rod)

| No. | Part No. | Description | (Reqd. QTY.) | | | |
|-----|-----------------|-------------------------------|---------------|-------|-------|-------|
| | | | sx4000 | i4500 | i5000 | i5500 |
| 1 | L130070098-0001 | RING SET | 1 | 1 | | |
| | L130070085-0001 | RING SET | | | 1 | 1 |
| 2 | L130030106-0001 | PISTON | 1 | 1 | | |
| | L130030092-0001 | PISTON | | | 1 | 1 |
| 3 | L130060030-0001 | PIN. PISTON | 1 | 1 | 1 | 1 |
| 4 | L380560055-0001 | CLIP, PISTON PIN | 2 | 2 | 2 | 2 |
| 5 | L130150051-0001 | ROD ASSY., CONNECTING | 1 | 1 | 1 | 1 |
| 6 | L380630137-0002 | EDDP GROOVE BALL BEARING 6205 | 1 | 1 | 1 | 1 |
| 7 | L130290160-0001 | CRANKSHAFT COMP | 1 | | | |
| | L130290109-0001 | CRANKSHAFT COMP | | 1 | 1 | 1 |
| 8 | L380450518-0001 | WASHER 25.4*34*1 | 1 | 1 | 1 | 1 |
| | | | | | | |
| | | | | | | |



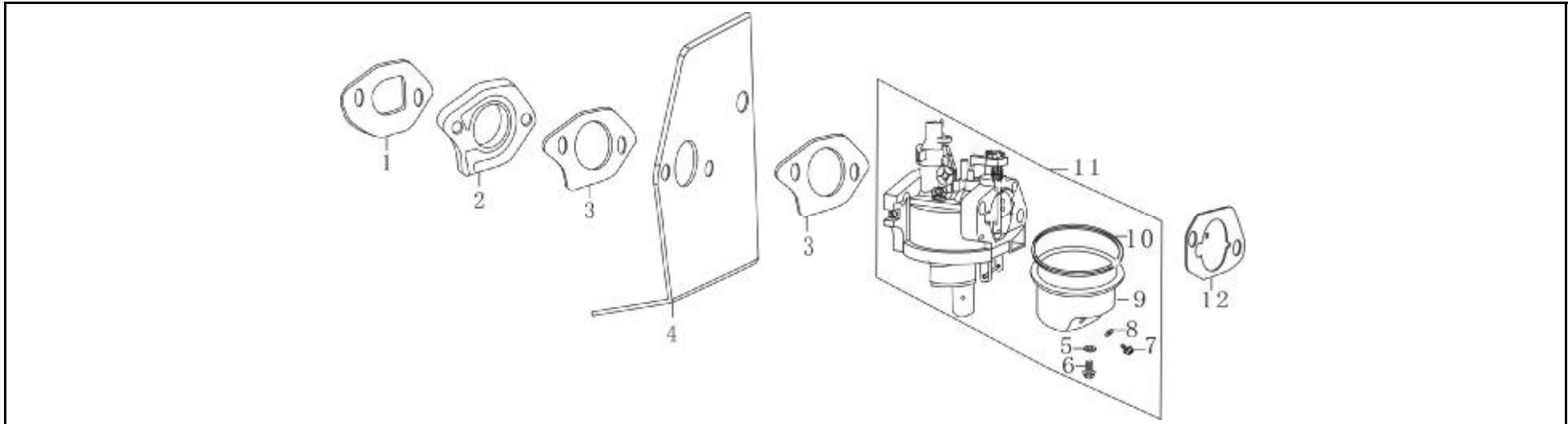
(Camshaft)

| No. | Part No. | Description | (Reqd. QTY.) | | | |
|-----|-----------------|------------------------|--------------|-------|-------|-------|
| | | | sx4000 | i4500 | i5000 | i5500 |
| 1 | L140450022-0001 | ARM, VALVE ROCKER | 2 | 2 | 2 | 2 |
| 2 | L140380020-0001 | RETAINER, VALVE SPRING | 2 | 2 | 2 | 2 |
| 3 | L140340022-0001 | SPRING, VALVE | 2 | 2 | 2 | 2 |
| 4 | L140300045-0001 | VALVE, IN. | 1 | 1 | 1 | 1 |
| 5 | L140310045-0001 | VALVE, EX. | 1 | 1 | 1 | 1 |
| 6 | L140710003-0001 | PLATE ASSY | 1 | 1 | 1 | 1 |
| 7 | L140670013-0001 | ROD, PUSH | 2 | 2 | 2 | 2 |
| 8 | L140690002-0001 | LIFTER | 2 | 2 | 2 | 2 |
| 9 | L140020058-0001 | CAMSHAFT ASSY. | 1 | 1 | 1 | 1 |
| 10 | L380450534-0001 | WASHER 14.2*20*1 | 1 | 1 | 1 | 1 |
| | | | | | | |
| | | | | | | |
| | | | | | | |



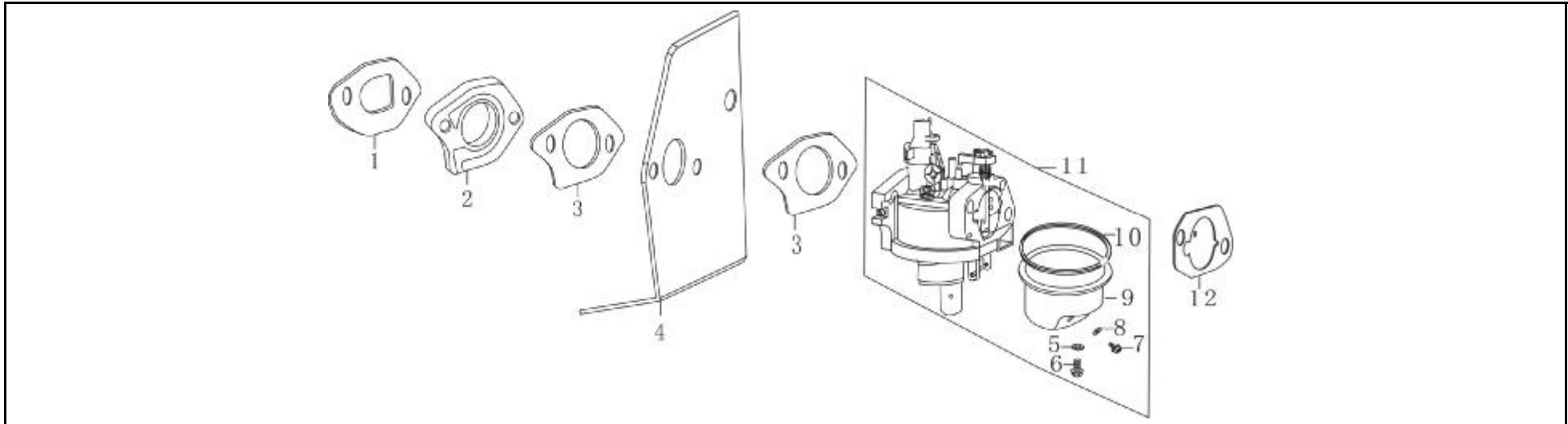
(Starter)

| No. | Part No. | Description | (Reqd. QTY.) | | | |
|-----|-----------------|--|---------------|-------|-------|-------|
| | | | sx4000 | i4500 | i5000 | i5500 |
| 1 | L380370066-0001 | NUT, FLANGE M6 | 3 | 3 | 3 | 3 |
| 2 | L193490094-0001 | STARTER SUB ASSY | 1 | 1 | 1 | 1 |
| 3 | L193690005-0001 | HOOD, FAN COVER | 1 | | | |
| 4 | L193690006-0001 | HOOD, FAN COVER | | 1 | | |
| 5 | L193690004-0002 | HOOD, FAN COVER | | | 1 | |
| 6 | L193690007-0001 | HOOD, FAN COVER | | | | 1 |
| 7 | L380200008-0005 | SCREW , PAN M4*10 | 3 | 3 | 3 | 3 |
| | | Please Note :-- For Fan Cover Labels refer page 17 | | | | |
| | | | | | | |
| | | | | | | |
| | | | | | | |



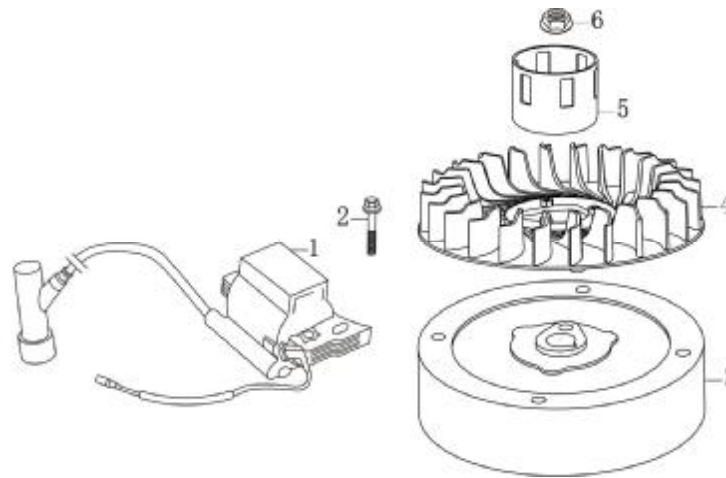
(Carburetor)

| No. | Part No. | Description | (Reqd. QTY.) | | | |
|-----|-----------------|-----------------------|--------------|-------|-------|-------|
| | | | sx4000 | i4500 | i5000 | i5500 |
| 1 | L170430057-0001 | PACKING, INSULATOR | 1 | 1 | 1 | 1 |
| 2 | L170440055-0001 | INSULATOR, CARBURETOR | 1 | 1 | 1 | 1 |
| 3 | L170430046-0001 | PACKING, CARBURETOR | 2 | 2 | 2 | 2 |
| 4 | L170450001-0001 | PACKING, CARBURETOR | 1 | 1 | 1 | 1 |
| 5 | L380450539-0001 | GASKET, OIL CUP BOLT | 1 | 1 | 1 | 1 |
| 6 | L380140353-0001 | BOLT, FLANGE | 1 | 1 | 1 | 1 |
| 7 | L172930001-0001 | DRAIN BOLT | 1 | 1 | 1 | 1 |
| 8 | L380450577-0001 | WASHER | 1 | 1 | 1 | 1 |
| 9 | L170250021-0001 | OIL CUP | 1 | 1 | 1 | 1 |
| 10 | L380840455-0001 | GASKET, OIL CUP | 1 | 1 | 1 | 1 |
| 11 | L170020531-0001 | CARBURETOR | 1 | | | |
| | L170020454-0001 | CARBURETOR | | 1 | | |
| | L170020451-0001 | CARBURETOR | | | 1 | 1 |



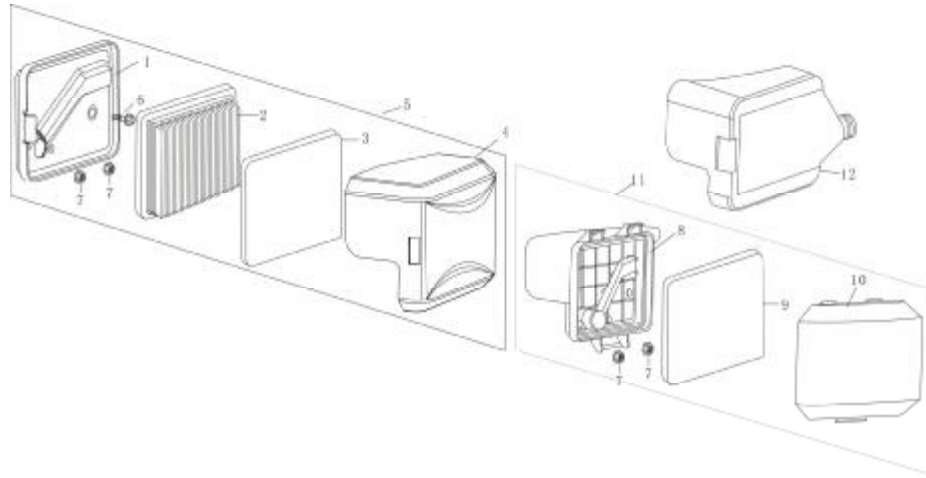
(Carburetor)

| No. | Part No. | Description | (Reqd. QTY.) | | | |
|-----|-----------------|---------------------|--------------|-------|-------|-------|
| | | | sx4000 | i4500 | i5000 | i5500 |
| 12 | L170430067-0001 | GASKET, AIR CLEANER | 1 | 1 | 1 | 1 |
| | | | | | | |
| | | | | | | |
| | | | | | | |
| | | | | | | |
| | | | | | | |
| | | | | | | |
| | | | | | | |
| | | | | | | |
| | | | | | | |
| | | | | | | |
| | | | | | | |
| | | | | | | |
| | | | | | | |
| | | | | | | |
| | | | | | | |



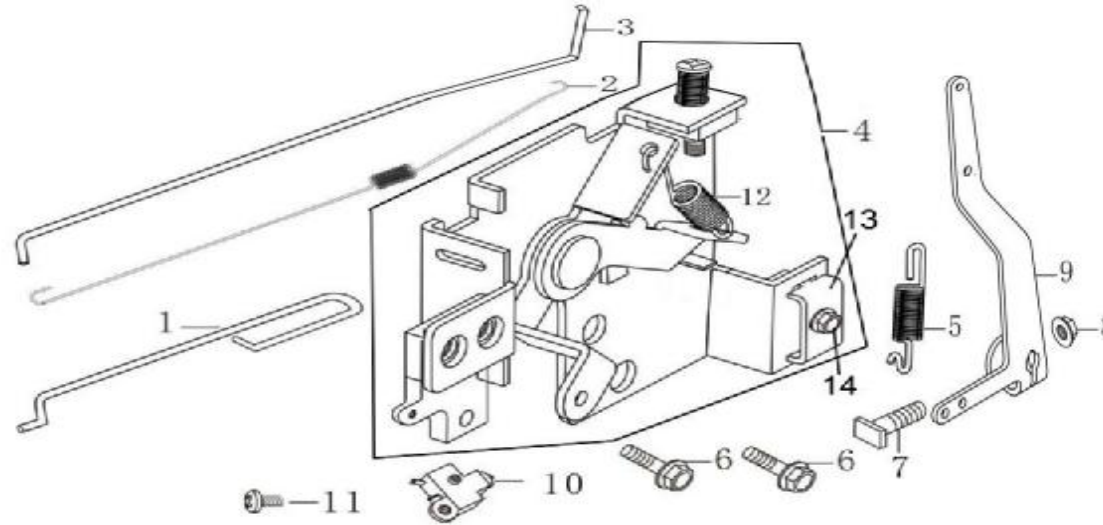
(Flywheel/Ignition Comp)

| No. | Part No. | Description | (Reqd. QTY.) | | | |
|-----|-----------------|---------------------|---------------|-------|-------|-------|
| | | | sx4000 | i4500 | i5000 | i5500 |
| 1 | L270920177-0001 | COIL ASSY, IGNITION | 1 | 1 | 1 | 1 |
| 2 | L380140086-0002 | BOLT, FLANGE M6*22 | 1 | 1 | 1 | 1 |
| 3 | L270020117-0001 | FLYWHEEL COMP | 1 | | | |
| | L270020096-0001 | FLYWHEEL COMP | | 1 | 1 | 1 |
| 4 | L160180015-0001 | FAN, COOLING | 1 | 1 | 1 | 1 |
| 5 | L193590005-0001 | PULLEY, STARTER | 1 | 1 | 1 | 1 |
| 6 | L380370051-0001 | NUT, SPECIAL | 1 | 1 | 1 | 1 |
| | | | | | | |
| | | | | | | |
| | | | | | | |
| | | | | | | |
| | | | | | | |



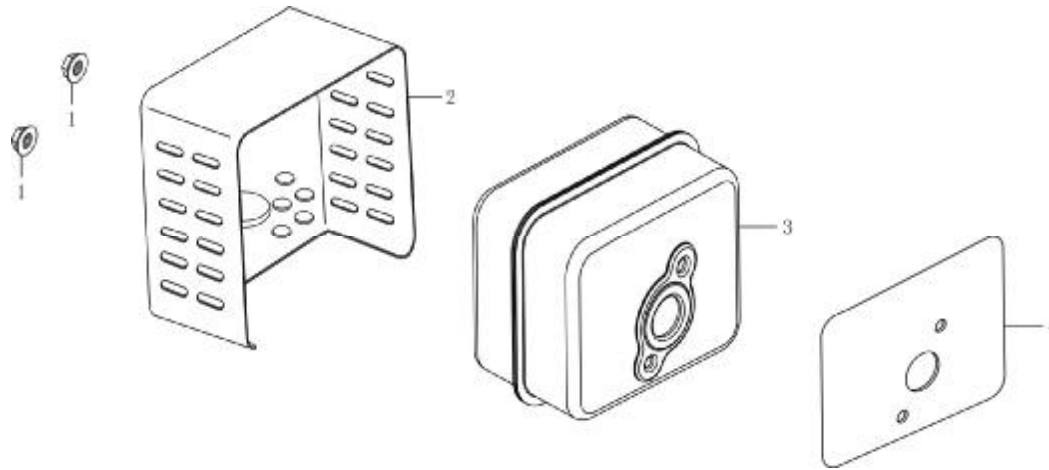
(Air cleaner)

| No. | Part No. | Description | (Reqd. QTY.) | | | |
|-----|-----------------|------------------------------|--------------|-------|-------|-------|
| | | | sx4000 | i4500 | i5000 | i5500 |
| 1 | L180280004-0001 | ELBOW, COMP AIR CLEANER | | 1 | 1 | 1 |
| 2 | L180120073-0001 | ELEMENT | | 1 | 1 | 1 |
| 3 | L180120133-0001 | FILTER, OUTER | | 1 | 1 | 1 |
| 4 | L180070117-0001 | COVER, AIR CLEANER | | 1 | 1 | 1 |
| 5 | L180020334-0001 | AIR CLEANER ASSY | | 1 | 1 | 1 |
| 6 | L380140013-0005 | BOLT, FLANGE M6*16 | | 1 | 1 | 1 |
| 7 | L380370066-0001 | NUT, FLANGE M6 | 2 | 2 | 2 | 2 |
| 8 | L180280014-0001 | ELBOW, COMP AIR CLEANER | 1 | | | |
| 9 | L180130142-0001 | FILTER, OUTER | 1 | | | |
| 10 | L180070118-0001 | COVER, AIR CLEANER | 1 | | | |
| 11 | L180020435-0001 | AIR CLEANER ASSY | 1 | | | |
| 12 | L180070112-0001 | COVER, AIR CLEANER (SNORKEL) | | 1 | 1 | 1 |
| | | | | | | |



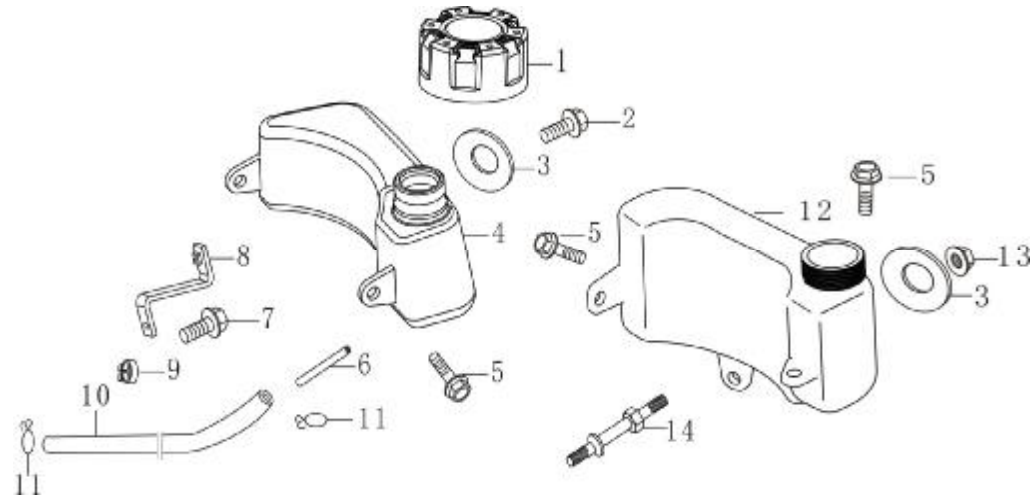
(Control)

| No. | Part Number | Description | (Reqd. QTY.) | | | |
|-----|-----------------|--------------------------|--------------|-------|-------|-------|
| | | | sx4000 | i4500 | i5000 | i5500 |
| 1 | L171650004-0001 | ROD, THROTTLE | 1 | 1 | 1 | 1 |
| 2 | L171610003-0001 | SPRING, THROTTLE RETURN | 1 | 1 | 1 | 1 |
| 3 | L171590018-0001 | ROD, GOVERNOR | 1 | 1 | 1 | 1 |
| 4 | L171680039-0001 | LIFTER , VALVE | 1 | 1 | 1 | 1 |
| 5 | L171600018-0001 | SPRING, GOVERNOR | 1 | 1 | 1 | 1 |
| 6 | L380140067-0003 | Bol t, Flange M6*12 | 2 | 2 | 2 | 2 |
| 7 | L380250002-0001 | BOLT, GOVERNOR ARM | 1 | 1 | 1 | 1 |
| 8 | L380370048-0001 | Nut, Flange M6 | 1 | 1 | 1 | 1 |
| 9 | L171620015-0001 | ARM, GOVERNOR | 1 | 1 | 1 | 1 |
| 10 | L271660026-0001 | SWITCH ASSY, ENGINE STOP | 1 | 1 | 1 | 1 |
| 11 | L380200008-0005 | SCREW , PAN M4*10 | 1 | 1 | 1 | 1 |
| 12 | L381150358-0001 | SPRING | 1 | 1 | 1 | 1 |
| 13 | L171710003-0001 | Throttle Cable Clamp | 1 | 1 | 1 | 1 |
| 14 | L380140053-0002 | Bol t, Flange M5*16 | 1 | 1 | 1 | 1 |



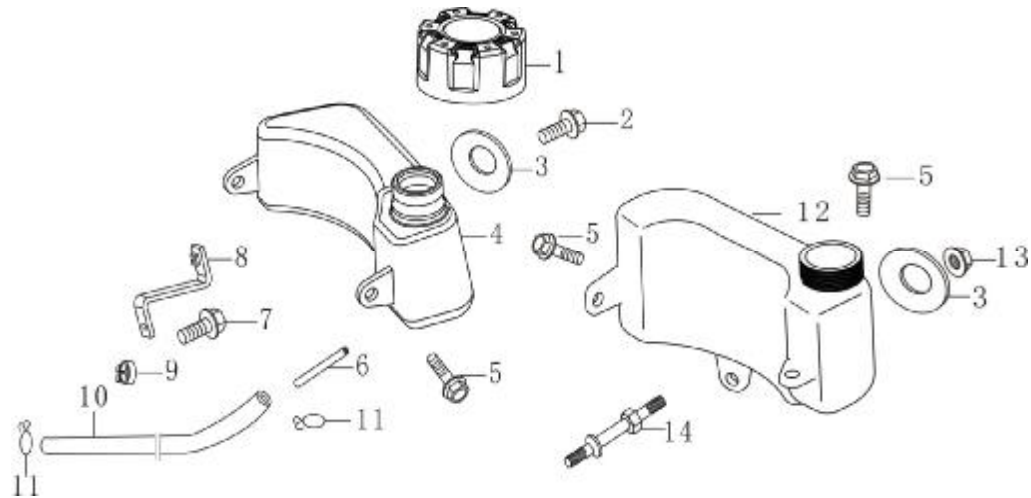
(Muffler)

| No. | Part No. | Description | (Reqd. QTY.) | | | |
|-----|-----------------|--------------------------|--------------|-------|-------|-------|
| | | | sx4000 | i4500 | i5000 | i5500 |
| 1 | L380370048-0001 | NUT, FLANGE M6 | 2 | 2 | 2 | 2 |
| 2 | L180960034-0001 | PROTECTOR COVER, MUFFLER | 1 | | | |
| | L180960026-0001 | PROTECTOR COVER, MUFFLER | | 1 | 1 | 1 |
| 3 | L180570990-0001 | MUFFLER ASSY. | 1 | | | |
| | L180570824-0001 | MUFFLER ASSY. | | 1 | 1 | 1 |
| 4 | L180660047-0001 | GASKET, MUFFLER | 1 | | | |
| | L180660034-0001 | GASKET, MUFFLER | | 1 | 1 | 1 |
| | | | | | | |
| | | | | | | |
| | | | | | | |
| | | | | | | |
| | | | | | | |



(Fuel tank)

| No. | Part No. | Description | (Reqd. QTY.) | | | |
|-----|------------------|------------------------|--------------|-------|-------|-------|
| | | | sx4000 | i4500 | i5000 | i5500 |
| 1 | L170870046-0001 | Cap Comp., Fuel Filler | 1 | 1 | 1 | 1 |
| 2 | L380140333-0001 | BOLT, FLANGE M6*18 | | 1 | 1 | 1 |
| 3 | L380450520-0001 | WASHER 6*25*2 | 1 | 1 | 1 | 1 |
| 4 | L170500539-0001 | Tank Comp., Fuel | | 1 | 1 | 1 |
| 5 | L380140013-0005 | BOLT, FLANGE M6*16 | 2 | 1 | 1 | 1 |
| 6 | L170010017-0001 | STRAINER, FUEL | 1 | 1 | 1 | 1 |
| 7 | L380140067-0003 | BOLT, FLANGE M6*12 | | 1 | 1 | 1 |
| 8 | L1706050010-0001 | HOLDER, FUEL TANK | | 1 | 1 | 1 |
| 9 | L380930025-0001 | CLIP, WIRE HARNESS | 1 | 1 | 1 | 1 |
| 10 | L380750234-0001 | Tube, Fuel 5.5*9.5*285 | 1 | | | |
| | L380750202-0001 | Tube, Fuel 5.5*9.5*295 | | 1 | 1 | 1 |
| 11 | L380950190-0001 | Clip, Tube | 2 | 2 | 2 | 2 |
| 12 | L170500540-0001 | Tank Comp., Fuel | 1 | | | |



(Fuel tank)

| No. | Part No. | Description | (Reqd. QTY.) | | | |
|-----|-----------------|-----------------|--------------|-------|-------|-------|
| | | | sx4000 | i4500 | i5000 | i5500 |
| 13 | L380370048-0001 | NUT, FLANGE M6 | 1 | | | |
| 14 | L380850003-0001 | BOLT, STUD 6*60 | 1 | | | |
| | | | | | | |
| | | | | | | |
| | | | | | | |
| | | | | | | |
| | | | | | | |
| | | | | | | |
| | | | | | | |
| | | | | | | |
| | | | | | | |
| | | | | | | |
| | | | | | | |
| | | | | | | |
| | | | | | | |
| | | | | | | |
| | | | | | | |
| | | | | | | |
| | | | | | | |



(Owner's Manual & Labels)

| No. | Part No. | Description | (Reqd. QTY.) | | | |
|-----|-----------------|-----------------------|---------------|-------|-------|-------|
| | | | SX4000 | i4500 | i5000 | i5500 |
| 1 | L360130624-0001 | Owner's Manual | 1 | 1 | 1 | 1 |
| 2 | L370331460-0001 | Model Label | 1 | | | |
| 3 | L370331463-0001 | Model Label | | 1 | | |
| 4 | L370331461-0001 | Model Label | | | 1 | |
| 5 | L370350105-0001 | Logo, ROVER | | | 1 | |
| 6 | L370331462-0001 | Model Label | | | | 1 |
| 7 | L370320789-0001 | Oil Level Label | 1 | 1 | 1 | 1 |
| 8 | L370320347-0001 | Muffler Caution Label | 1 | 1 | 1 | 1 |
| 9 | L370320219-0001 | No Oil Shipping Label | 1 | 1 | 1 | 1 |

