



Parklands

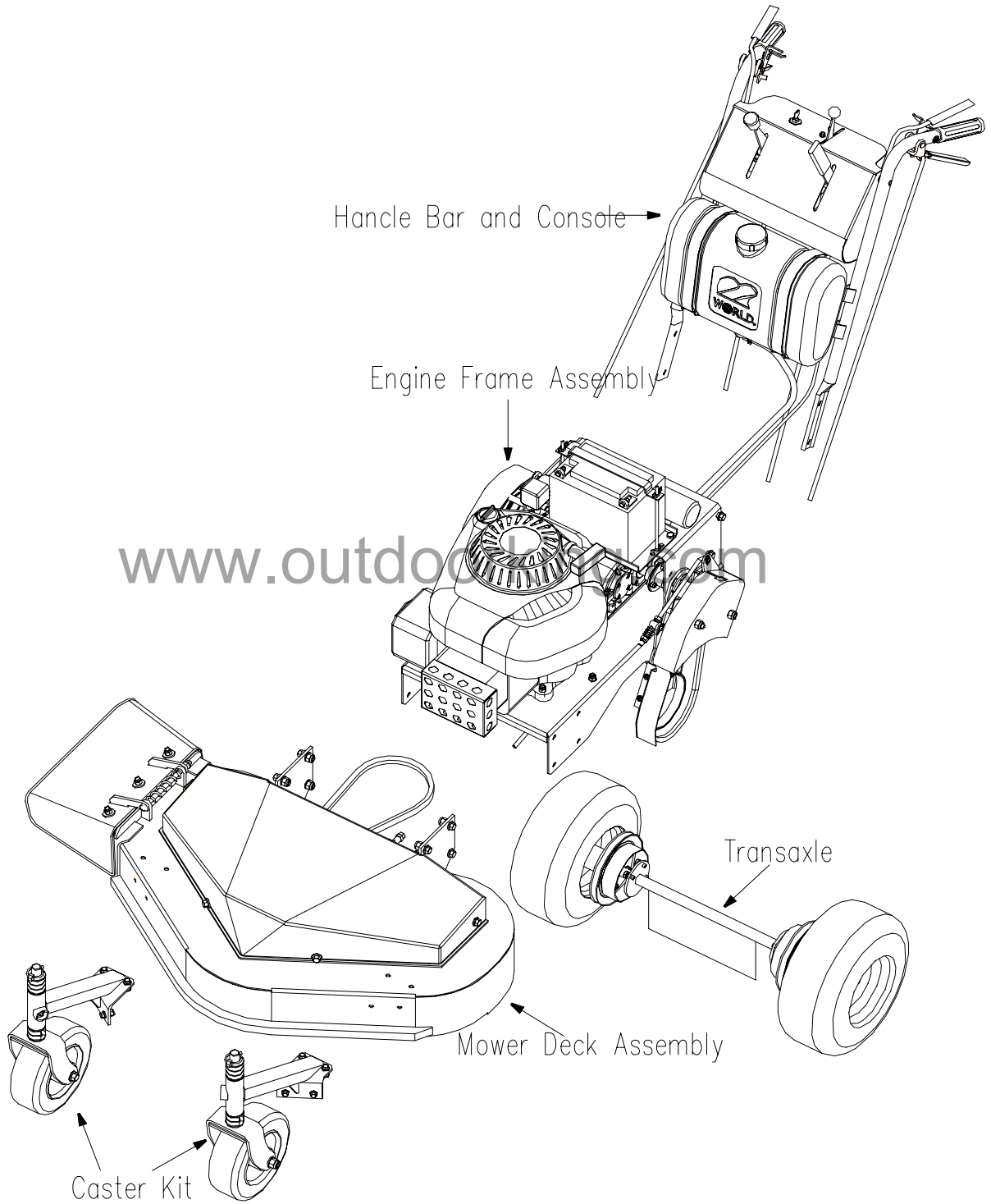
www.outdoorking.com

P O W E R P R O D U C T S

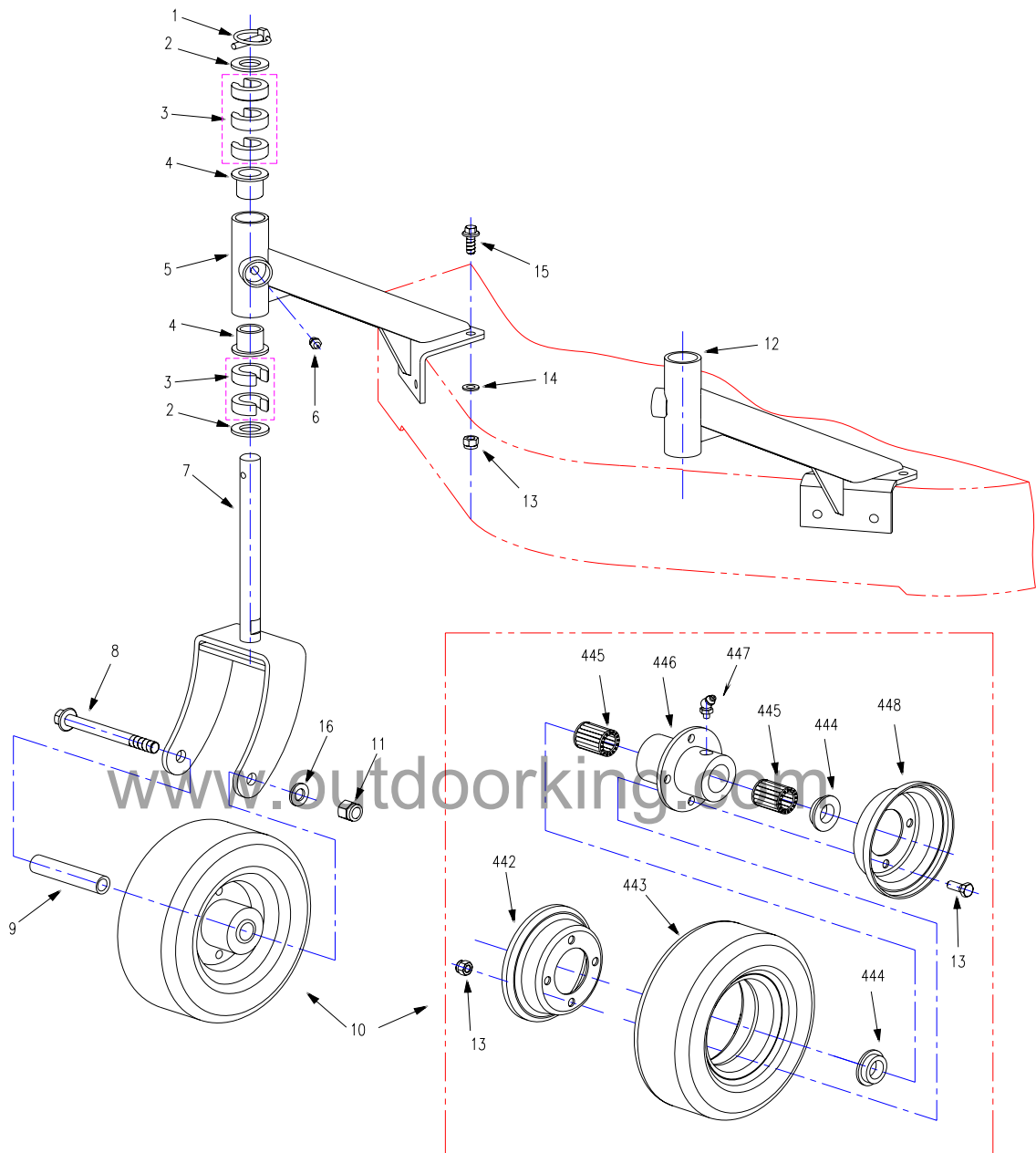
PWC - 33

WY33N13BS SPARE PARTS LIST

Mower Assembly



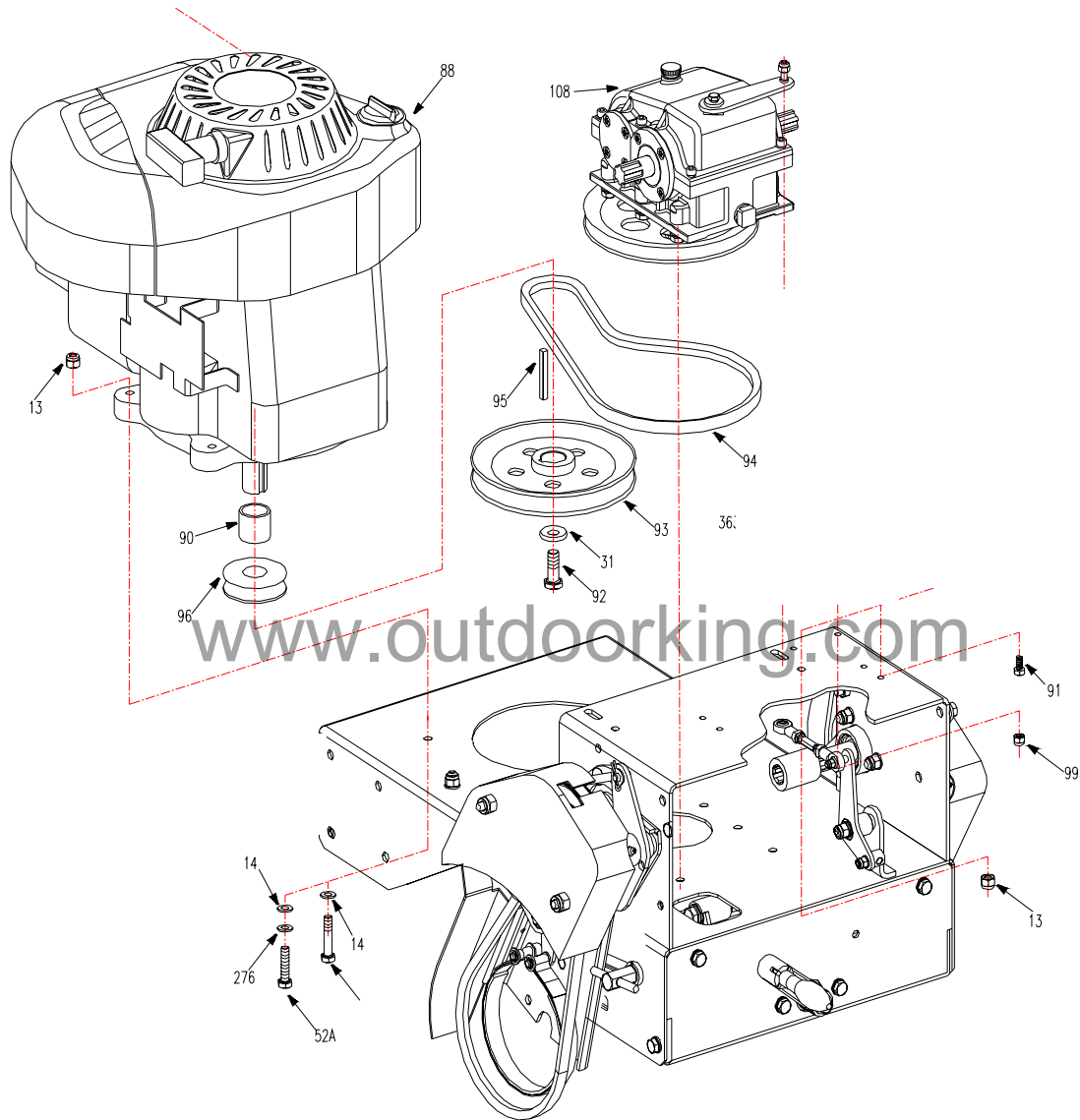
Caster Kit



Ref.#	Part#	Description
1	3301010	Linchpin
2	B97.1-20	Washer 20
3	3301002	1/2" Spacer
4	3301003	Oilite Bronze Bushing
5	3301030	Caster Wheel Arm RH
6	B1152-8	Grease Fitting M8
7	3301020	Caster Wheel Yoke
8	B5787-12120	Hex Hd Bolt M12x120
9	3301004	Caster Wheel Spanner
10	3301050	Caster Wheel 8"x3"

Ref.#	Part#	Description
11	B6182-12	Lock nut M12
12	3301040	Caster Wheel Arm LH
13	B6182-8	Locknut M8
14	B97.1-8	Washer 8
15	B5787-820	Hex Hd Bolt M8x20
16	B97.1-12	Washer 12
444	3331008	Bushing
446	3301054	Wheel Hub Weldment
447	3301055	Grease Fitting 45 M6*1

Engine Frame Assembly



Ref.#	Part#	Description
13	B6182-8	Locknut M8
14	B97.1-8	Washer 8
31	3302008	Wing Washer
52	B5783-840	Hex Hd Bolt M8x40
79	B6182-5	Nut M5
88	3300027	Engine (B&S 13.5HP Intek I/C-R) *
90	3307001	Bushing

Ref.#	Part#	Description
91	B5285-6313F	F-Style Self-Drilling Screw
92	3307005	Bolt 7/16-20x1-1/4
93	3307003	Engine Drive Pulley
94	3300002	Transmission Drive Belt
95	3307002	Square Key
96	3307010	Transmission Drive Pulley
108	3334000	Transmission

Mower Deck Assembly

Ref.#	Part#	Description
11	B6182-12	Locknut M12
13	B6182-8	Locknut M8
14	B97.1-8	Washer 8
15	B5787-820	Hex Hd Bolt M8x20
21	3332001A	Mower Deck
22	3332002A	Blade Brake Arm Assembly
23	3302003	Blade Brake Spring
24	4201006	Swing Bolt M12x100
25	3302019	Torsion Spring
26	2802090N	Discharge Chute Assembly
27	2802008	Long Bolt
28	3332030	Idler Pulley Assembly
29	3332080	Tension Pulley Fixed Seat
30	3302007	Blade
31	3302008	Wing Washer
32	3302011	Center Blade Bolt
33	3302012	Center Spindle Assembly
35	3302013	Bolt
36	3302014	Outer Spindle Assembly
37	3302015A	Belt Cover
38	3302016	Blade Pulley
39	3302009	Plate
40	3302017	Blade Drive Belt
41	3302018	Bushing
42	3302010	Bushing
43	3302095	Spacer
44	3332003	Hex Hd Bolt
45	3332004A	Swivel
46	3332005	Compression Spring
47	3332007	Bushing
48	SIBJK 8T	Rod End Bearing
49	3332009	Idler Bracket
50	3302110	Mulching Shield Weldment
52	B5783-840	Hex Hd Bolt M8x40

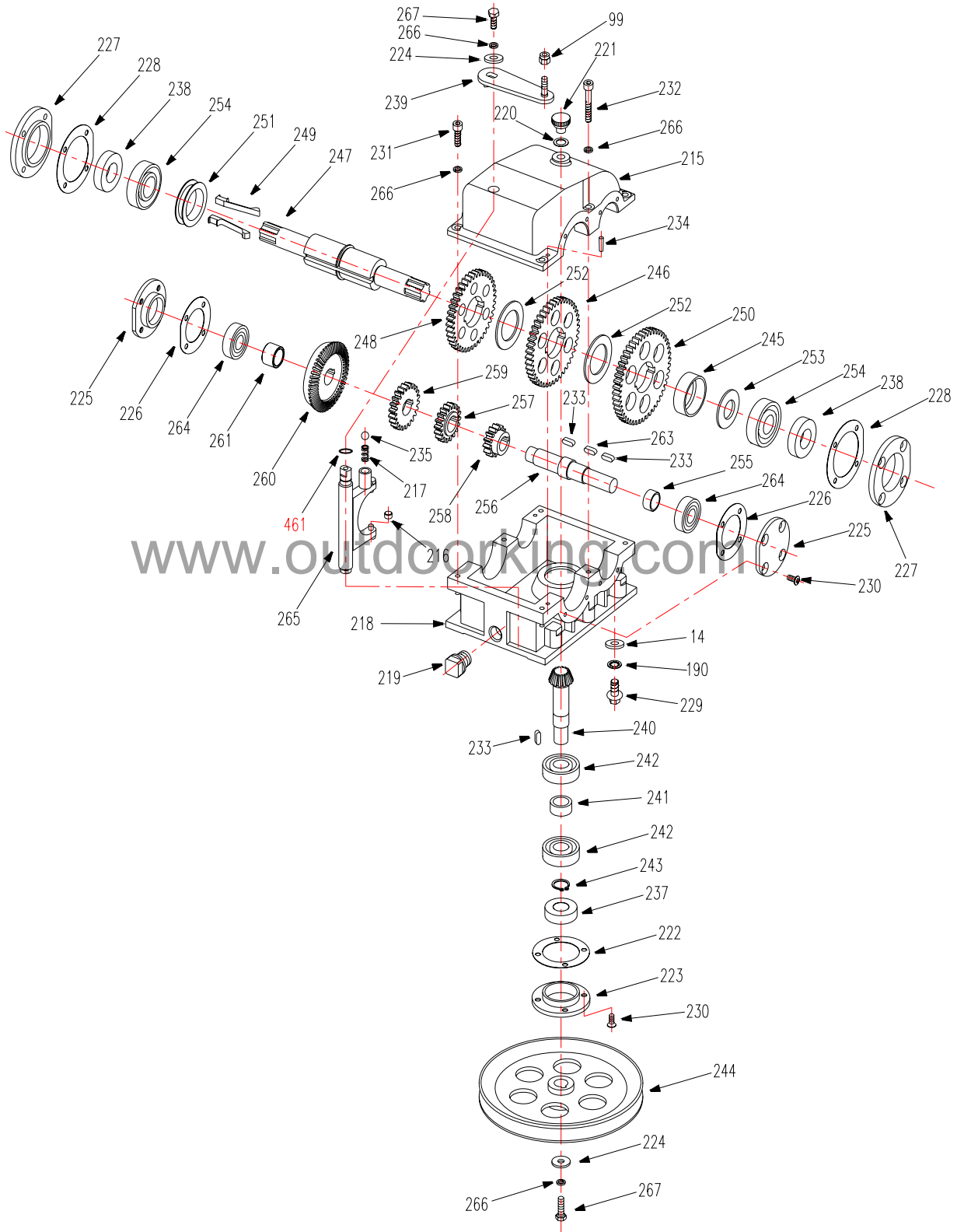
Ref.#	Part#	Description
53	B896-12	Snap Ring 12
54	B6170-8	Locknut M8
55	B6187.1-12	Nut M12
56	B6182-10	Locknut M10
57	B5787-1025	Hex Bolt M10x25
58	B97.1-10	Washer 10
59	B5787-825	Hex Hd Bolt M8x25
62	3300001	Blade Drive Belt
63	B2685-162025	Oilite Bronze Bearing 16x20x25
66	B893.2-62	Spacer 62
67	B276-6305RS	Bearing 6305-2RS
68	3302085	Outer Blade Spindle
69	3302082	Spindle Housing
70	3302081	Blade Coupling
71	3302083	Center Blade Spindle
72	3332075	Tension Pulley Seat Welding
73	3302056	Idler Pulley Welding
74	B276-6303RS	Bearing 6303-2RS
75	B893.2-47	Spacer 47
76	3302058	Washer 10
77	3332055A	Blade Drive Arm Weldment
78	3332059	Belt Hook
79	B6182-5	Locknut M5
80	B97.1-5	Washer 5
81	2802121	Brake Pad
82	B819-525	Screw M5x25
83	2802026	Bracket, Discharge Chute
84	B818-825	Screw M8x25
85	3303034	Washer
86	2802104	Discharge Chute
186	B896-8	Snap Ring 8
190	B861.1-8	Washer 8
274	B5783-816	Bolt M8x16
276	B93-8	Washer 8

Console Frame Assembly

Ref.#	Part#	Description
13	B6182-8	Locknut M8
14	B97.1-8	Washer 8
53	B896-12	Snap Ring 12
56	B6182-10	Locknut M10
76	3302058	Washer 10
63	B2685-162025	Oilite Bronze Bearing 16x20x25
99	B6182-6	Locknut M6
106	B5783-820	Hex Hd Bolt M8x20
120	3333001	Engine Frame
122	3333003	Brake Arm-LH
124	3333007	Rear Shield
125	3333009	Idler Pulley Assembly-LH
127	3333016	IdlerPulley Assembly-RH
128	3333017	Shift Arm
130	3333070	Brake Arm-RH
131	2800010	Wheel Drive Pulley
132	3303002	Brake Band
133	3303012	Height Adjusting Pivot
134	3303022	Shift Pivot Arm
135	3303046	Engine Pulley Belt Guide
136	3303049	Height Adjusting Bolt Assembly
137	3303050	Screw Cover
138	3333004	Brake Linkage
139	3333005	Safety Board
141	3333011	Swivel
142	3333012	Blade Engage Control Rod
146	3333019	Swivel
147	3333068	Tension Spring
148	XSZ56-1-17	Hair Pin
150	2800017	Brake Spring
151	2803010	Bushing
152	2803011	Idler Pulley
153	2803016	Bushing
154	3303008	Rod and Bearing M6
155	3303009	Shift Adjusting Screw
156	3303011	Connecting Rod
157	3303014	Height Adjusting Pad
158	3303017	Oilite Bronze Bushing
159	3303018	Washer
160	3303020	Height Adjusting Screw
161	3303021	Rod and Bearing M6 (levo)
162	3303023	Nylon Bushing
163	3303037	Bushing
164	3303141	Nylon Bushing
165	3303180	Rubber Cover
166	3306015	Shift Tie-in
167	B1096-522	Square Key 5x22
168	B12-840	Hex Hd Bolt M8x40

Ref.#	Part#	Description
169	B1567-5310C	Key C5x3x10
170	B2673-825	(InternalHead) Screw M8x25
171	B276-6003RS	Bearing 6003-2RS
172	B39-16	Quadrate Nut M16
173	B5782-1055	Hex Hd Bolt M10x55
175	B6172-6	Locknut M6
176	B6172-6L	Locknut M6
180	B861.2-10	Washer 10
181	B893.1-35	Spacer 35
182	B894.1-16	Spacer 16
185	B896-6	Snap Ring 6
186	B896-8	Snap Ring 8
188	B97.1-16	Washer 16
189	3303016	Handle Assembly
190	B861.1-8	Washer 8
191	3303123	Height Adjusting Handle
192	3303124	Compression Spring
193	3303125	Washer
194	3303126	Height Adjusting Rocker
195	B879-316	Spring Pin M3x16
196	B879-320	Spring Pin M3x20
197	3333059	Idler Bracket Weldment -LH
198	2800034	Idler Pulley Assembly
199	3333057	Spacer
200	3333058	Bushing
201	B1152-6	Grease Fitting M6
202	B5782-860	Hex Hd Bolt M8x60
205	99502H	Bearing 99502-2RS
208	3333055	Idler Bracket Weldment -RH
209	3300003	Drive Belt
266	B93-6	Washer 6
305	2806010	Nylon Bushing
330	B97.1-6	Washer 6
431	3333090	Axle Hanger-LH
432	3333060	OutPut Shaft Assembly-LH
433	3333080	OutPut Shaft Assembly-RH
434	3333100	Axle Hanger-RH
435	3333078	OutPut Shaft RH
436	3333077	Spindle Housing
437	3333076	OutPut Shaft-LH
438	3333075	Idler Sleeve
440	B894.1-45	Spacer 45
451	B77-610	Screw M6x10
452	2800061	Connector (1)
453	2800062	Connector (2)
454	3333112	Brake Rod,RH
455	3333111	Brake Rod,LH
456	B5783-616	Hex Hd Bolt M6x16

Transmission Assembly

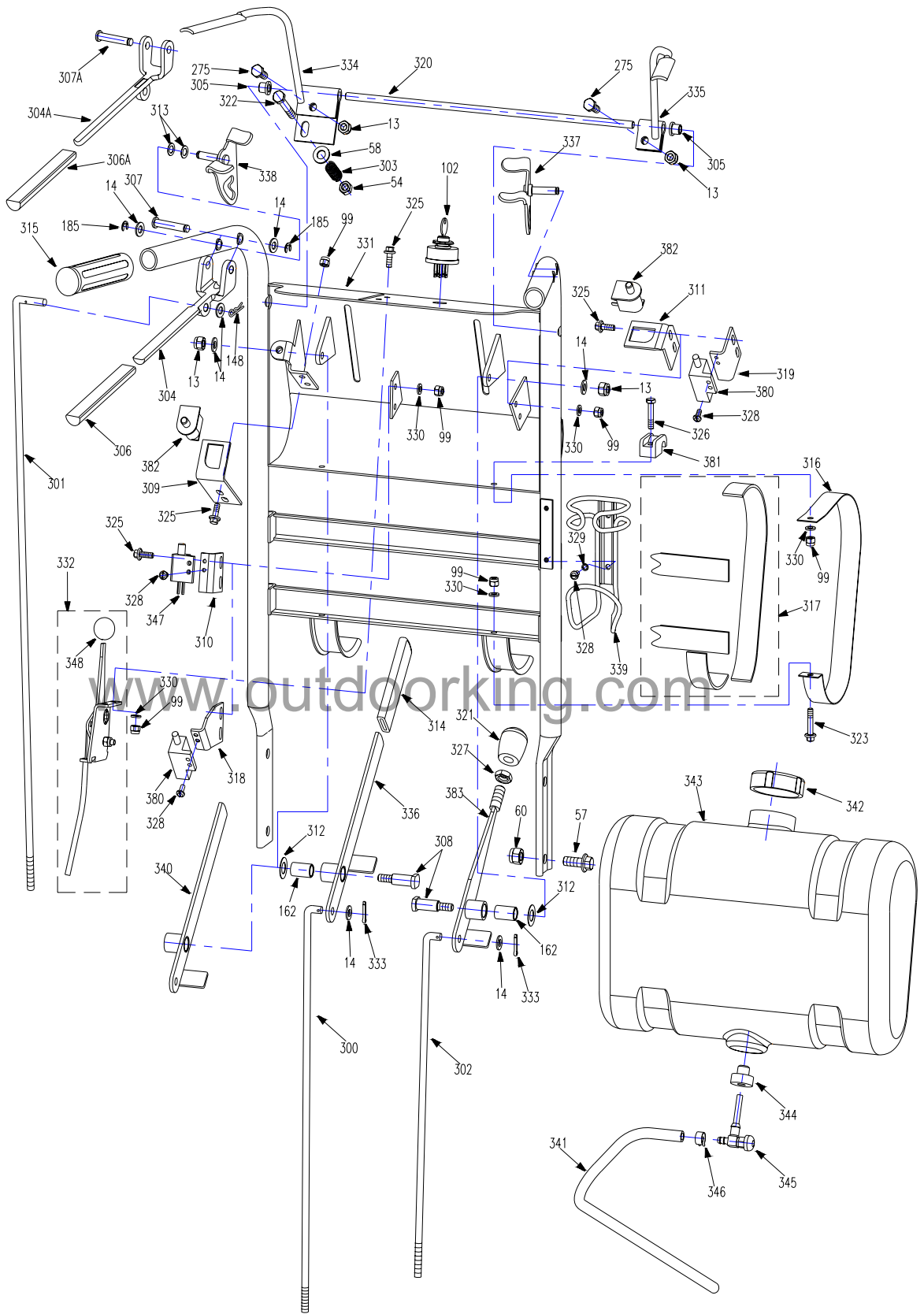


Transmission Assembly

Ref.#	Part#	Description
14	B97.1-8	Washer 8
99	B6182-6	Locknut M6
190	B861.1-8	Washer 8
215	2804004	Transmission Case -Top
216	2804012	Roller
217	2804038	Detent Spring
218	3304001U	Transmission Case -Bottom
219	3304007	Oil Drain Plug
220	3304008	Fill /Breather Plug Spacer
221	3304009	Fill /Breather Plug
222	3304011	Input Shaft Seal Ring
223	3304012	Input Shaft Bearing Cover
224	3304014	Washer
225	3304015	BearingCover -Countshaft
226	3304016	Seal Ring
227	3304019	Bearing Cover -Output
228	3304020	Seal Ring
229	3300106	Hex Hd Bolt 5/16-18x3/4
230	3300124	Screw 10-24x1/2
231	3300187	Screw 1/2-20x3/4
232	3300188	Screw 1/4-20x1-5/8
233	B1096-514	Square Key 5x14
234	B117-416	Roll Pin 4x16
235	B308-5/16	Detent Steel Ball 5/16"
237	B9877.1-173510	Oil Seal FB17x35x10B
238	B9877.1-204010	Oil Seal FB20x40x10B
239	3334001	Shift Arm Weldment
240	3304031U	Bevel Gear

Ref.#	Part#	Description
241	3304032	Spacer
242	B276-6203	Bearing 6203
243	B894.1-17	Spacer 17
244	3304013	Transmission Input Pulley
245	2804003	Shift Spacer
246	2804007	Spur Gear, Output Shaft 2nd
247	2804008	Output Shaft
248	2804009	Spur Gear, Output Shaft 1st
249	2804016	Sliding Key
250	2804017	Spur Gear, Output Shaft 3rd
251	2804019	Shift Spacer
252	3304053	Washer
253	3304054	Spacer
254	B276-6204	Bearing 6204
255	2804001	Shift Spacer
256	2804002	Center Shaft
257	2804005	Spur Gear, Counter shaft 2nd
258	2804006	Spur Gear, Counter shaft 3rd
259	2804020	Spur Gear, Counter shaft 1st
260	3304041U	Taper Ring Gear
261	3304042	Spacer
263	B1096-516	SquareKey 5x16
264	B276-6202	Bearing 6202
265	2804013	Shift Fork
266	B93-6	Washer 6
267	3300198	Hex HdBolt 1/4-20x3/4
461	B3452.1-8.75*1.8	O-Ring 8.75*1.8

Handle Bar and Console

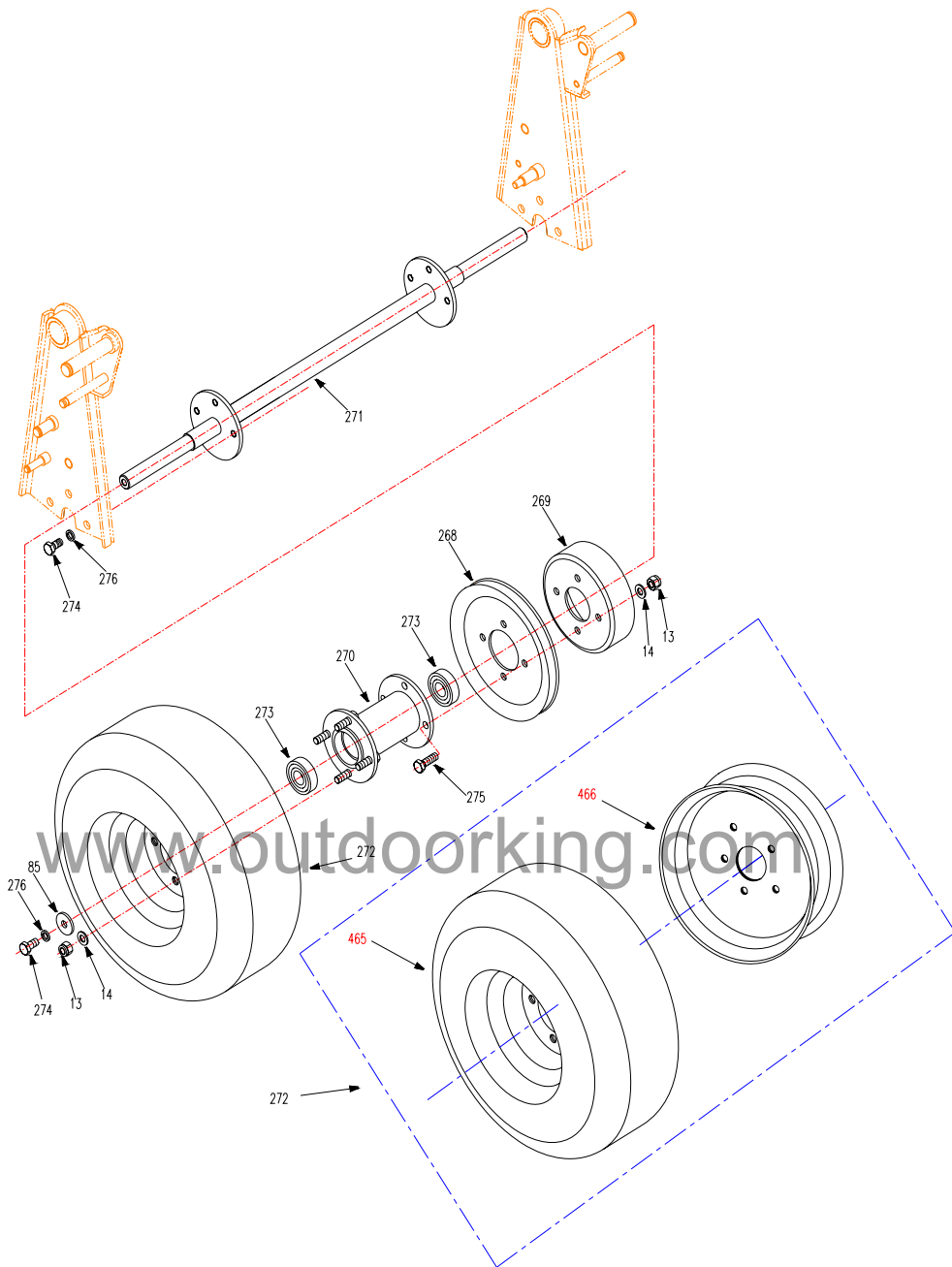


Handle Bar and Console

Ref.#	Part#	Description
13	B6182-8	Locknut M8
14	B97.1-8	Washer 8
54	B6170-8	Locknut M8
57	B5787-1025	Hex Bolt M10x25
58	B97.1-10	Washer 10
60	B6187-10	Locknut M10
99	B6182-6	Locknut M6
148	XSZ56-1-17	Hair Pin
162	3303023	Nylon Bushing
185	B896-6	Snap Ring 6
275	B5783-825	Hex Hd Bolt M8x25
300	3336003	Blade Control Rod
301	3336005	Brake Control Rod
302	2806012	Shift Brake Rod
303	2806002	Compression Spring
304A	2806020	Steering Lever (Weldment)
305	2806010	Bushing
306	2806011	Handle Grip
306A	2806097	Handle Grip
307A	2806096	Axis Pin
308	2806055	Axis Pin
309	2806056	Electrical Switch Bracket
310	2806057	Blade Switch Bracket
311	2806058	Switch Bracket
312	2806061	Wave Washer
313	2806086	Saddle Shaped Washer
314	3306002	Handle Grip
315	3306005	Handle Grip
316	3306017	Fuel Tank Mounting Strap
317	3306018	Rubber Strip

Ref.#	Part#	Description
320	2806042	Bolt
321	B4141.13-1240	Knob, M12x40
322	B5782-855	Hex Hd Bolt M8x55
323	B5783-630	Hex Hd Bolt M6x30
325	B5787-616	Hex Hd Bolt M6x16
326	B5787-630	Hex Hd Bolt M6x30
327	B6172-12	Nut M12
328	B67-510	Screw M5x10
329	B93-5	Washer 5
330	B97.1-6	Washer 6
331	3336004	Handle Weldment
332	2806005	Throttle Control Assembly (B&S)
333	B91-2520	Split Pin 2.5*20
334	2806003	Flameout Handle-LH
335	2806007	Flameout Handle-RH
336	2806015	Mower Blade Drive Lever
337	2806070	Neutral latch-RH
338	2806071	Neutral latch-LH
339	2806090	Cup Frame
341	2807005	Fuel Line (B&S, Kawasaki)
342	3307021	Gas Cap
343	3307022	Fuel Tank
344	3307023	Fuel Tank Bushing
345	3307024	Fuel Line Shut-off
346	3307025	Hose Clamp
347	2808005	Blade Switch
348	3306030	Knob
349	2806095	Gear shift lever
381	2808012	Pipe Clamp
382	2808001	Handle Bar Switch

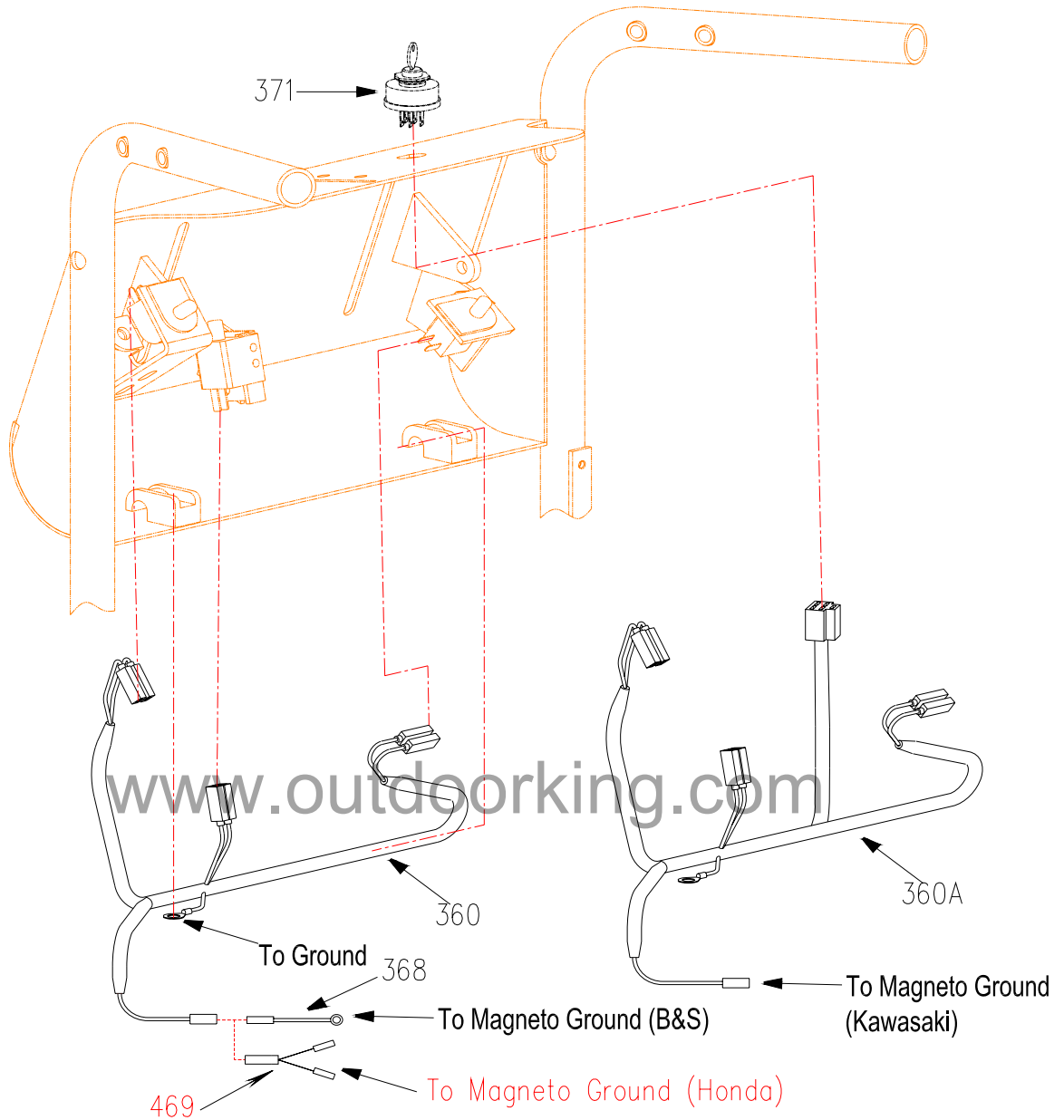
Transaxle



Ref.#	Part#	Description
13	B6182-8	Locknut M8
14	B97.1-8	Washer 8
85	3303034	Washer
268	3335003	Differential Pulley
269	3335004	Brake Drum
270	3335002	Wheel Hub Weldment
271	3335005	Axle Shaft

Ref.#	Part#	Description
272	3305001	Tire & Rim Assembly
273	B276-6203RS	Bearing 6203-2RS
274	B5783-816	Hex Hd BoltM8x16
275	B5783-825	Hex Hd BoltM8x25
276	B93-8	Washer 8
465	3335030	Tire
466	3335031	Rim

Recoil Start-up Wiring Harness



Ref.#	Part#	Description
360	2808010	Wiring Harness (B&S)
368	2808014	Engine Flameout Wiring Harness (B&S)