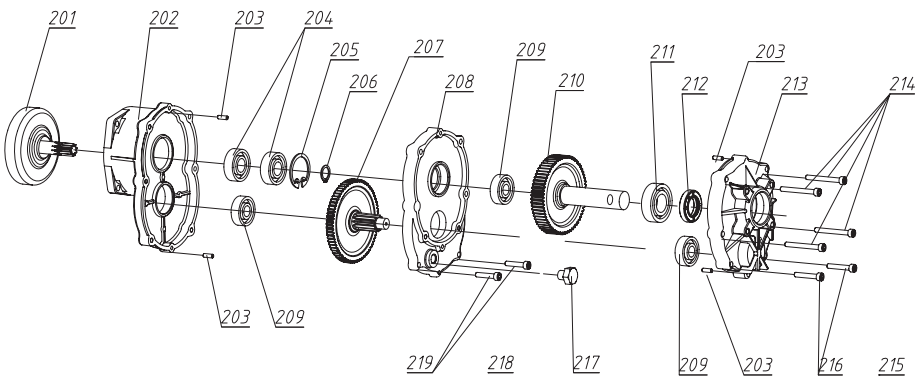
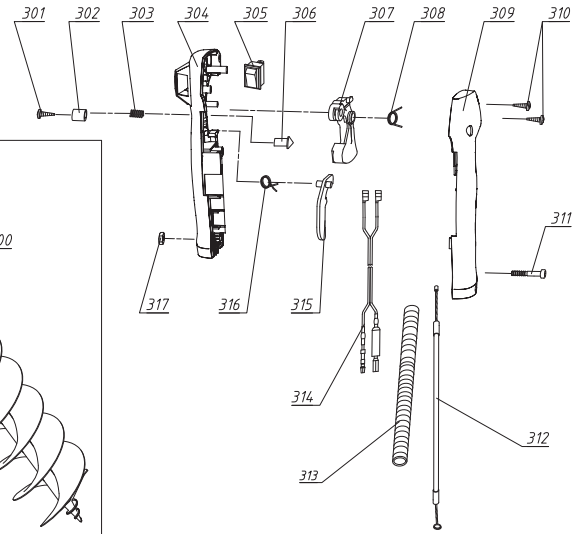
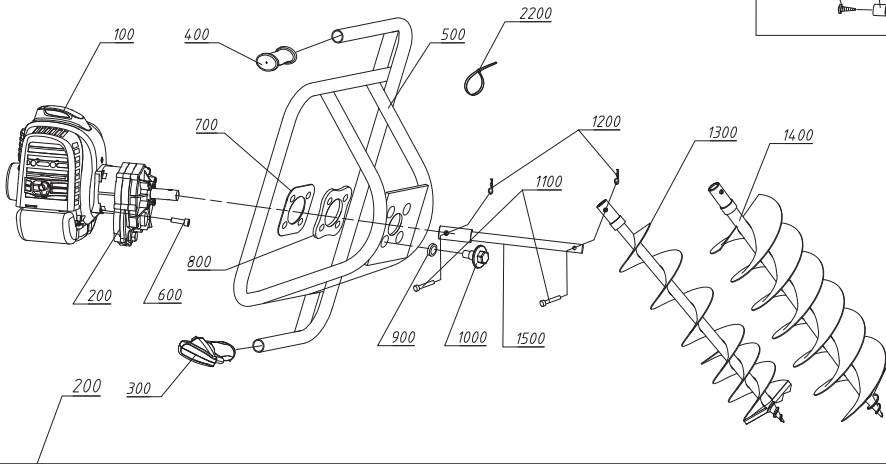
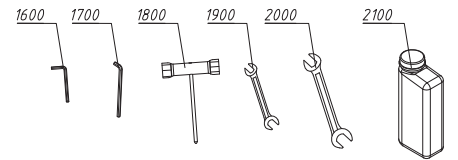


AG43(HPHD43) MODEL ENGINE AUGER EXPLODED VIEW



TOOLS:



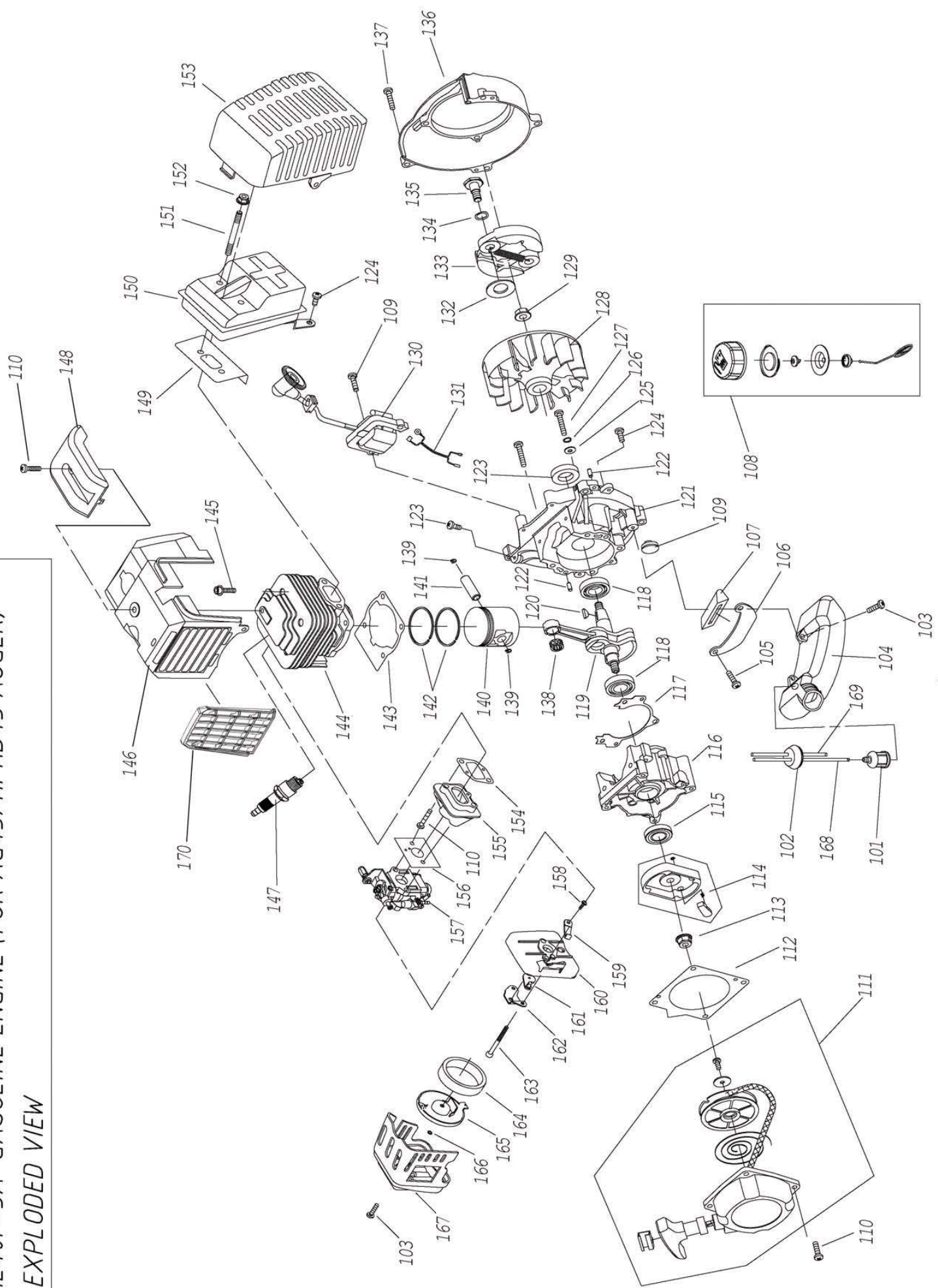
HPHD43 - A: EXPLODED VIEW

Ref	Part #	Title
100	800100100	1E40F-5A engine assembly
200	800100200	Gear box assembly
201	800100201	Clutch bowl assembly
202	800100202	Gear box housing top
203	800100203	Position Pin
204	800100204	Ball bearing 6202-2RS/P5
205	800100205	Hole circlip F35
206	800100206	Shaft circlip F15
207	800100207	Primary gear
208	800100208	Gear box housing middle
209	800100209	Ball bearing 6201/P5
210	800100210	Secondary gear
211	800100211	Ball bearing 6004/OPEN
212	800100212	Sealing ring 20×35×7
213	800100213	Gear box housing bottom
214	800100214	Inner hex bolt M5×45
215	800100215	Spindle
216	800100216	Inner hex bolt M5×30
217	800100217	Grease filling bolt M10×10
218	800100218	Middle gear
219	800100219	Inner hex bolt M5×25
300	800100300	Control handle assembly
301	800100301	Screw ST2.9×10
302	800100302	Half-throttle lock button
303	800100303	Lock spring
304	800100304	Left control handle housing
305	800100305	Cut-off switch
306	800100306	Lock pin
307	800100307	Throttle trigger
308	800100308	Throttle trigger spring
309	800100309	Right control handle housing
310	800100310	Screw ST3.5×16
311	800100311	Inner hex bolt M5×30
312	800100312	Throttle cable

313	800100313	Protection tube
314	800100314	Cut-off wire set
315	800100315	Lock off lever
316	800100316	Lock off spring
317	800100317	Nylock nut M5
400	800100400	Auxiliary handle
500	800100500	Handle bracket
600	800100600	Inner hex bolt M6×20
700	800100700	Gear box big washer
800	800100800	Shock absorber pad
900	800100900	Shock absorber ring
1000	8001001000	Step bolt M8
1100	8001001100	Auger bit pin
1200	8001001200	Open pin 1.7×32
1300	8001001300	Auger bit F150mm
1400	8001001400	Auger bit F200mm
1500	8001001500	Extension shaft 300mm
1600	8001001600	Alley key S=4mm
1700	8001001700	Short Alley key S=5mm
1800	8001001800	Box spanner 17×19mm
1900	8001001900	Open spanner 8×10mm
2000	8001002000	Open spanner 13×16mm
2100	8001002100	Fuel mixture bottle

1E40F-5A GASOLINE ENGINE (FOR AG43/HPHD43 AUGER)

EXPLODED VIEW



HPHD43 - B: EXPLODED VIEW - 1E40F-5A ENGINE (P/N 100)

Ref	Part #	Title
101	800100101	Fuel filter
102	800100102	Fuel pipe plug
103	800100103	Bolt M5×16
104	800100104	Fuel tank
105	800100105	Bolt M5×25
106	800100106	Fuel tank rack
107	800100107	Fuel tank rack pad
108	800100108	Fuel tank cap assembly
109	800100109	Fuel tank rubber foot
110	800100110	Bolt M5×20
111	800100111	Starter recoil assembly
112	800100112	Starter gasket
113	800100113	Nut M8
114	800100114	Starter clutch assembly
115	800100115	Oil sealing 12×22×7
116	800100116	Rear half crank case
117	800100117	Crank case gasket
118	800100118	Ball bearing 6202/P5
119	800100119	Crank shaft assembly
120	800100120	Key 3×5×13mm
121	800100121	Front half crank case
122	800100122	Position pin 4×10mm
123	800100123	Oil sealing 15×30×7
124	800100124	Bolt M5×12
125	800100125	Spring washer F5
126	800100126	Flate washer F5
127	800100127	Inner hex screw M5×30
128	800100128	Ignition rotor
129	800100129	Nylock nut M8
130	800100130	Ignition coil
131	800100131	Cut-off wire set
132	800100132	Washer F8
133	800100133	Clutch centrifugal moduel
134	800100134	Wave washer F10×14

135	800100135	Clutch bolt
136	800100136	Fan housing
137	800100137	Bolt M5×25
138	800100138	Needle bearing
139	800100139	Piston pin circlip
140	800100140	Piston
141	800100141	Piston pin
142	800100142	Piston ring
143	800100143	Cylinder gasket
144	800100144	Cylinder
145	800100145	Inner hex bolt M5×20
146	800100146	Cylinder cover
147	800100147	Spark plug Champion RCJ6Y
148	800100148	Spark plug cover
149	800100149	Muffler gasket
150	800100150	Muffler assembly
151	800100151	Bolt 6×65
152	800100152	Lock nut(M6)
153	800100153	Muffler cover
154	800100154	Insulator gasket
155	800100155	Insulator tube
156	800100156	Carburetor gasket
157	800100157	Carburetor
158	800100158	Screw ST 3×8
159	800100159	Choke lever
160	800100160	Air filter base
161	800100161	Choke plate
162	800100162	Air filter inner plate
163	800100163	Bolt M5×55
164	800100164	Air filter sponge
165	800100165	Sponge cover
166	800100166	O-ring 3.15×1.8
167	800100167	Air filter cover
168	800100168	Black fuel pipe F2.4×4.5
169	800100169	Clear fuel pipe F2.5×4.5
170	800100170	Engine heat guide cover