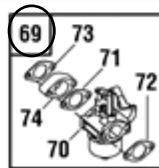
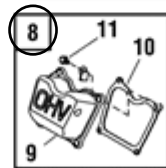
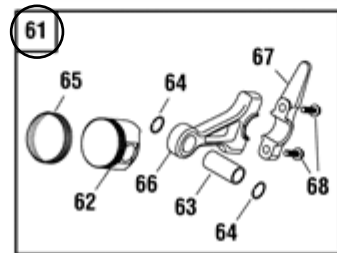
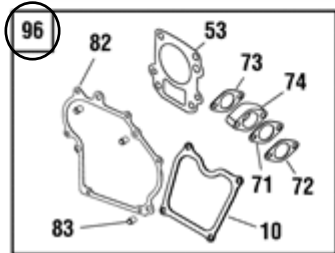
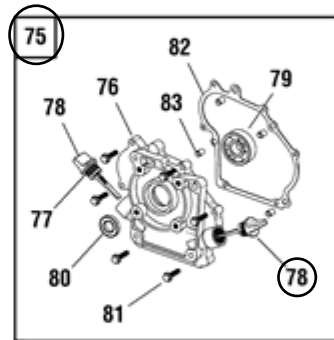
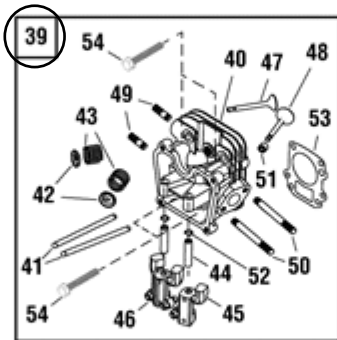
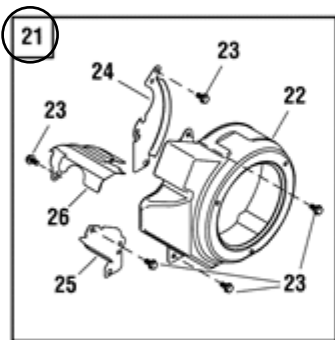
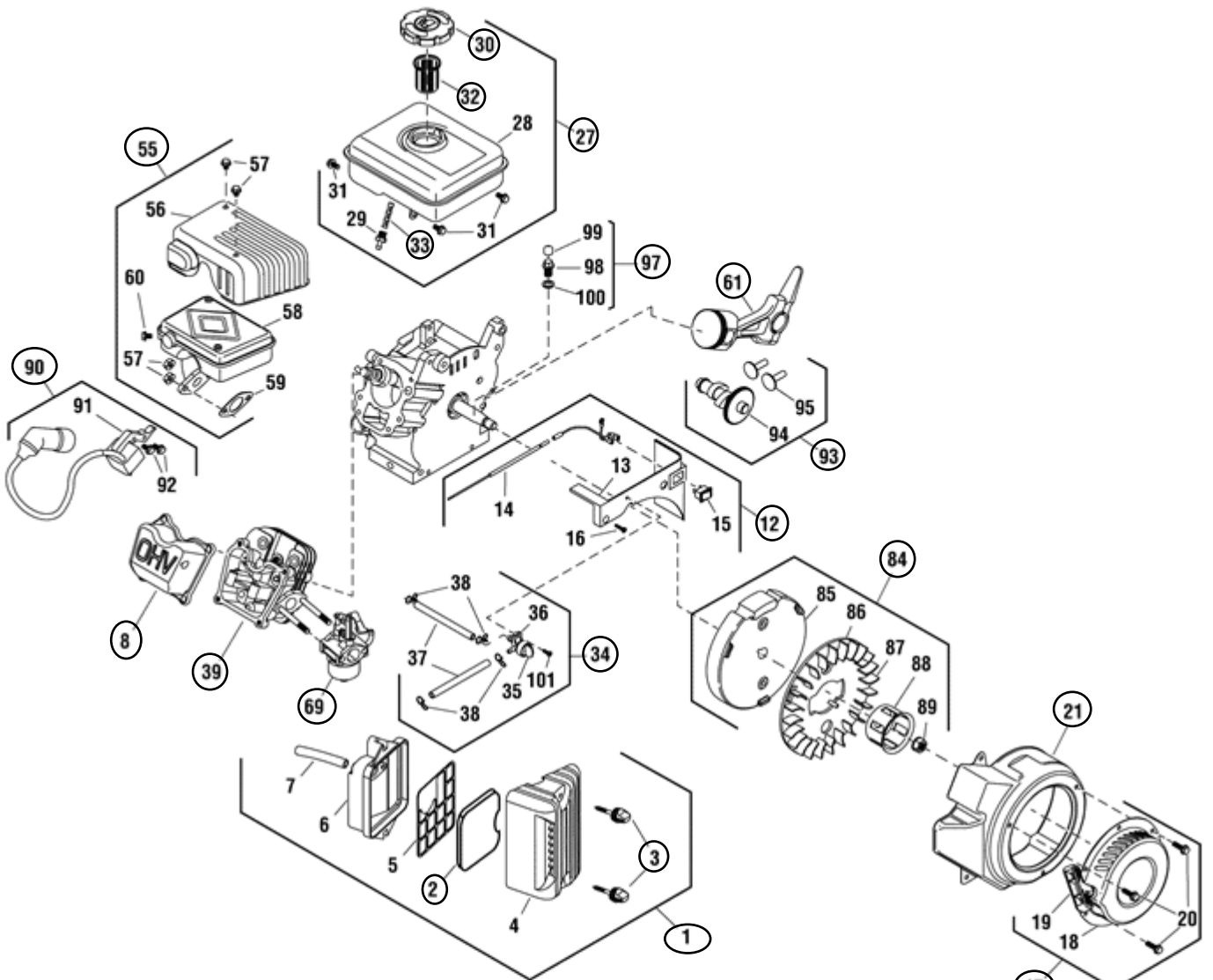


Click on item number for price



Click on blue part number for pricing

| Ref # | Part #                   | Description                      | Qty | Notes  |
|-------|--------------------------|----------------------------------|-----|--|
| 1     | <a href="#">AF07927A</a> | KIT, Air Filter Assembly         | 1   | (Includes Ref. Nos. 2, 3, 4, 5, 6 & 7))  |
| 2     | <a href="#">AF07930A</a> | FILTER, Air                      | 1   |  |
| 3     | <a href="#">AF07929A</a> | SCREW, Air Filter                | 2   |  |
| 4     | N/A                      | COVER, Air Filter                | 1   | (Not a serviceable part. Order Kit No. 1)  |
| 5     | N/A                      | MESH, Air Filter                 | 1   | (Not a serviceable part. Order Kit No. 1)  |
| 6     | N/A                      | INTAKE MANIFOLD                  | 1   | (Not a serviceable part. Order Kit No. 1)  |
| 7     | N/A                      | HOSE, Breather                   | 1   | (Not a serviceable part. Order Kit No. 1)  |
| 8     | <a href="#">EE14641A</a> | HEAD COVER ASSEMBLY              | 1   | (Includes Ref. Nos. 9, 10 & 11)  |
| 9     | N/A                      | COVER, Head                      | 1   | (Not a serviceable part. Order Kit No. 8)  |
| 10    | N/A                      | GASKET, Head Cover               | 1   | (Not a serviceable part. Order Kit No. 1 or 96)                                  |
| 11    | N/A                      | SCREW, Hex Flange, M6 x 12       | 4   | (Not a serviceable part. Order Kit No. 1)  |
| 12    | <a href="#">EE14638A</a> | SWITCH PANEL ASSEMBLY            | 1   | (Includes Ref. Nos. 13, 14, 15 & 16)   |
| 13    | N/A                      | PANEL, Switch                    | 1   | (Not a serviceable part. Order Kit No. 12)                                       |
| 14    | N/A                      | HARNESS, Cutout                  | 1   | (Not a serviceable part. Order Kit No. 12)                                       |
| 15    | N/A                      | SWITCH, Cutout                   | 1   | (Not a serviceable part. Order Kit No. 12)                                       |
| 16    | N/A                      | SCREW, Pozi Self Tap, ST4.9 x 16 | 1   | (Not a serviceable part. Order Kit No. 12)                                       |
| 17    | <a href="#">EE14598A</a> | STARTER ASSEMBLY                 | 1   | (Includes Ref. Nos. 18, 19 & 20)   |
| 18    | N/A                      | RECOIL                           | 1   | (Not a serviceable part. Order Kit No. 17)                                       |
| 19    | N/A                      | KNOB, Starter                    | 1   | (Not a serviceable part. Order Kit No. 17)                                       |
| 20    | N/A                      | SCREW, Hex Flange, M6 x 12       | 3   | (Not a serviceable part. Order Kit No. 17)                                       |
| 21    | <a href="#">EE14644A</a> | HOUSING ASSEMBLY, Flywheel       | 1   | (Includes Ref. Nos. 22, 23, 24, 25 & 26)   |
| 22    | N/A                      | HOUSING, Flywheel                | 1   | (Not a serviceable part. Order Kit No. 21)                                       |
| 23    | N/A                      | SCREW, Hex Flange, M6 x 12       | 5   | (Not a serviceable part. Order Kit No. 21)                                       |
| 24    | N/A                      | DEFLECTOR, Flywheel Head         | 1   | (Not a serviceable part. Order Kit No. 21)                                       |
| 25    | N/A                      | DEFLECTOR, Intake                | 1   | (Not a serviceable part. Order Kit No. 21)                                       |
| 26    | N/A                      | PLATE, Deflector                 | 1   | (Not a serviceable part. Order Kit No. 21)                                       |
| 27    | <a href="#">EE14631A</a> | FUEL TANK ASSEMBLY               | 1   | (Includes Ref. Nos. 28, 29, 30, 31, 32 & 33)                                     |
| 28    | N/A                      | TANK, Fuel                       | 1   | (Not a serviceable part. Order Kit. No. 27)                                      |
| 29    | N/A                      | NOZZLE, Fuel Tank                | 1   | (Not a serviceable part. Order Kit. No. 27)                                      |
| 30    | <a href="#">EE14610A</a> | FUEL CAP                         | 1   |  |
| 31    | N/A                      | SCREW, Hex Flange, M6 x 12       | 3   | (Not a serviceable part. Order Kit. No. 27)                                      |
| 32    | <a href="#">EE14615A</a> | BASKET, Fuel Filter              | 1   |  |
| 33    | <a href="#">EE14616A</a> | FILTER, Fuel                     | 1   |  |
| 34    | <a href="#">EE14611A</a> | FUEL LINE & TAP ASSEMBLY         | 1   | (Includes Ref. Nos. 35, 38, 37, 38 & 101)  |
| 35    | N/A                      | DIAL CAP, Fuel Tap               | 1   | (Not a serviceable part. Order Kit. No. 34)                                      |
| 36    | N/A                      | FUEL TAP                         | 1   | (Not a serviceable part. Order Kit. No. 34)                                      |
| 37    | N/A                      | FUEL LINE                        | 2   | (Not a serviceable part. Order Kit. No. 34)                                      |
| 38    | N/A                      | CLIP, Fuel Line                  | 4   | (Not a serviceable part. Order Kit. No. 34)                                      |
| 39    | <a href="#">EE14671A</a> | HEAD ASSEMBLY                    | 1   | (Includes Ref. Nos. 40, 41, 42, 43, 44, 45, 46, 47, 48, 49, 50, 51, 52, 53 & 54) |
| 40    | N/A                      | CYLINDER HEAD                    | 1   | (Not a serviceable part. Order Kit. No. 39)                                      |
| 41    | N/A                      | PUSH ROD                         | 2   | (Not a serviceable part. Order Kit. No. 39)                                      |
| 42    | N/A                      | RETAINER, Valve Spring           | 2   | (Not a serviceable part. Order Kit. No. 39)                                      |
| 43    | N/A                      | VALVE SPRING                     | 2   | (Not a serviceable part. Order Kit. No. 39)                                      |
| 44    | N/A                      | PIN, Rocker Arm                  | 2   | (Not a serviceable part. Order Kit. No. 39)                                      |
| 45    | N/A                      | ROCKER ARM, Intake               | 1   | (Not a serviceable part. Order Kit. No. 39)                                      |
| 46    | N/A                      | ROCKER ARM, Exhaust              | 1   | (Not a serviceable part. Order Kit. No. 39)                                      |
| 47    | N/A                      | VALVE, Intake                    | 1   | (Not a serviceable part. Order Kit. No. 39)                                      |
| 48    | N/A                      | VALVE, Exhaust                   | 1   | (Not a serviceable part. Order Kit. No. 39)                                      |
| 49    | N/A                      | STUD, Muffler                    | 2   | (Not a serviceable part. Order Kit. No. 39)                                      |

Click on blue part number for pricing

| Ref # | Part #                   | Description                      | Qty | Notes  |
|-------|--------------------------|----------------------------------|-----|--|
| 50    | N/A                      | STUD, Manifold                   | 2   | (Not a serviceable part. Order Kit. No. 39)          |
| 51    | N/A                      | VALVE SEAL                       | 1   | (Not a serviceable part. Order Kit. No. 39)          |
| 52    | N/A                      | CIRCLIP, Internal                | 2   | (Not a serviceable part. Order Kit. No. 39)          |
| 53    | N/A                      | GASKET, Cylinder                 | 1   | (Not a serviceable part. Order Kit. No. 39 or 96)    |
| 54    | N/A                      | SCREW, Flanged, M8 x 55          | 4   | (Not a serviceable part. Order Kit. No. 39)          |
| 55    | <a href="#">EE14622A</a> | MUFFLER ASSEMBLY                 | 1   | (Includes Ref. Nos. 56, 57, 58, 59 & 60)             |
| 56    | N/A                      | GUARD, Muffler                   | 1   | (Not a serviceable part. Order Kit. No. 55)          |
| 57    | N/A                      | SCREW, Hex Flange, M6 x 8        | 3   | (Not a serviceable part. Order Kit. No. 55)          |
| 58    | N/A                      | MUFFLER                          | 1   | (Not a serviceable part. Order Kit. No. 55)          |
| 59    | N/A                      | GASKET, Muffler                  | 1   | (Not a serviceable part. Order Kit. No. 55)          |
| 60    | N/A                      | NUT, Hex Flange, M8              | 2   | (Not a serviceable part. Order Kit. No. 55)          |
| 61    | <a href="#">EE14660A</a> | PISTON & ROD ASSEMBLY            | 1   | (Includes Ref. Nos. 62, 63, 64, 65, 66, 67 & 68)     |
| 62    | N/A                      | PISTON                           | 1   | (Not a serviceable part. Order Kit. No. 61)          |
| 63    | N/A                      | PIN, Piston                      | 1   | (Not a serviceable part. Order Kit. No. 61)          |
| 64    | N/A                      | CLIP, Piston                     | 2   | (Not a serviceable part. Order Kit. No. 61)          |
| 65    | N/A                      | PISTON RING SET                  | 1   | (Not a serviceable part. Order Kit. No. 61)          |
| 66    | N/A                      | CONNECTING ROD                   | 1   | (Not a serviceable part. Order Kit. No. 61)          |
| 67    | N/A                      | SADDLE, Connecting Rod           | 1   | (Not a serviceable part. Order Kit. No. 61)          |
| 68    | N/A                      | SCREW, Hex Flange, M6 x 20       | 2   | (Not a serviceable part. Order Kit. No. 61)          |
| 69    | <a href="#">CR03767A</a> | CARBURETOR ASSEMBLY              | 1   | (Includes Ref. Nos. 70, 71, 72, 73 & 74)             |
| 70    | N/A                      | CARBURETOR                       | 1   | (Not a serviceable part. Order Kit. No. 69)          |
| 71    | N/A                      | GASKET, Inner                    | 1   | (Not a serviceable part. Order Kit. No. 69 or 96)    |
| 72    | N/A                      | GASKET, Outer                    | 1   | (Not a serviceable part. Order Kit. No. 69 or 96)    |
| 73    | N/A                      | GASKET, Manifold                 | 1   | (Not a serviceable part. Order Kit. No. 69 or 96)    |
| 74    | N/A                      | MANIFOLD, Carburetor             | 1   | (Not a serviceable part. Order Kit. No. 69 or 96)    |
| 75    | <a href="#">EE14653A</a> | CRANKCASE COVER ASSEMBLY         | 1   | (Includes Ref. Nos. 76, 77, 78, 79, 80, 81, 82 & 83) |
| 76    | N/A                      | COVER, Crankcase                 | 1   | (Not a serviceable part. Order Kit. No. 75)          |
| 77    | N/A                      | WASHER, Dipstick                 | 2   | (Not a serviceable part. Order Kit. No. 75)          |
| 78    | <a href="#">EE14636A</a> | DIPSTICK                         | 2   | (Not a serviceable part. Order Kit. No. 75)          |
| 79    | N/A                      | BALL BEARING, 6303               | 1   | (Not a serviceable part. Order Kit. No. 75)          |
| 80    | N/A                      | SEAL, M252C                      | 1   | (Not a serviceable part. Order Kit. No. 75)          |
| 81    | N/A                      | SCREW, Hex Flange, M6 x 25       | 6   | (Not a serviceable part. Order Kit. No. 75)          |
| 82    | N/A                      | GASKET, Crankcase                | 1   | (Not a serviceable part. Order Kit. No. 75 or 96)    |
| 83    | N/A                      | PIN, Crankcase                   | 4   | (Not a serviceable part. Order Kit. No. 75 or 96)    |
| 84    | <a href="#">EE14649A</a> | FLYWHEEL ASSEMBLY                | 1   | (Includes Ref. Nos. 85, 86, 87, 88 & 89)             |
| 85    | N/A                      | FLYWHEEL                         | 1   | (Not a serviceable part. Order Kit. No. 84)          |
| 86    | N/A                      | FAN, Flywheel                    | 1   | (Not a serviceable part. Order Kit. No. 84)          |
| 87    | N/A                      | KEY, Flywheel                    | 1   | (Not a serviceable part. Order Kit. No. 84)          |
| 88    | N/A                      | CUP, Starter                     | 1   | (Not a serviceable part. Order Kit. No. 84)          |
| 89    | N/A                      | NUT, M12                         | 1   | (Not a serviceable part. Order Kit. No. 84)          |
| 90    | <a href="#">EE14633A</a> | IGNITION COIL ASSEMBLY           | 1   | (Includes Ref. Nos. 91 & 92)                         |
| 91    | N/A                      | IGNITION COIL                    | 1   | (Not a serviceable part. Order Kit. No. 90)          |
| 92    | N/A                      | SCREW, Hex Flange, M6 x 20       | 2   | (Not a serviceable part. Order Kit. No. 90)          |
| 93    | <a href="#">EE14648A</a> | CAMSHAFT & VALVE LIFTER ASSEMBLY | 1   | (Includes Ref. Nos. 94 & 95)                         |
| 94    | N/A                      | CAMSHAFT                         | 1   | (Not a serviceable part. Order Kit. No. 93)          |
| 95    | N/A                      | LIFTER                           | 2   | (Not a serviceable part. Order Kit. No. 93)          |
| 96    | <a href="#">EE14674A</a> | KIT, Gaskets & Pins              | 1   | (Includes Ref. Nos. 10, 53, 71, 72, 73, 74, 82 & 83) |
| 97    | <a href="#">EE14608A</a> | BOLT, Sump Plug                  | 1   | (Includes Ref. Nos. 94, 95 & 96)                     |

| Ref # | Part # | Description                      | Qty | Notes                                       |
|-------|--------|----------------------------------|-----|---|
| 98    | N/A    | BOLT, Sump Plug, M10 x 16        | 1   | (Not a serviceable part. Order Kit. No. 93) |
| 99    | N/A    | CAP, Sump Plug                   | 1   | (Not a serviceable part. Order Kit. No. 93) |
| 100   | N/A    | WASHER, M10                      | 1   | (Not a serviceable part. Order Kit. No. 93) |
| 101   | N/A    | SCREW, Pozi Self Tap, ST4.9 x 12 | 1   | (Not a serviceable part. Order Kit. No. 34) |