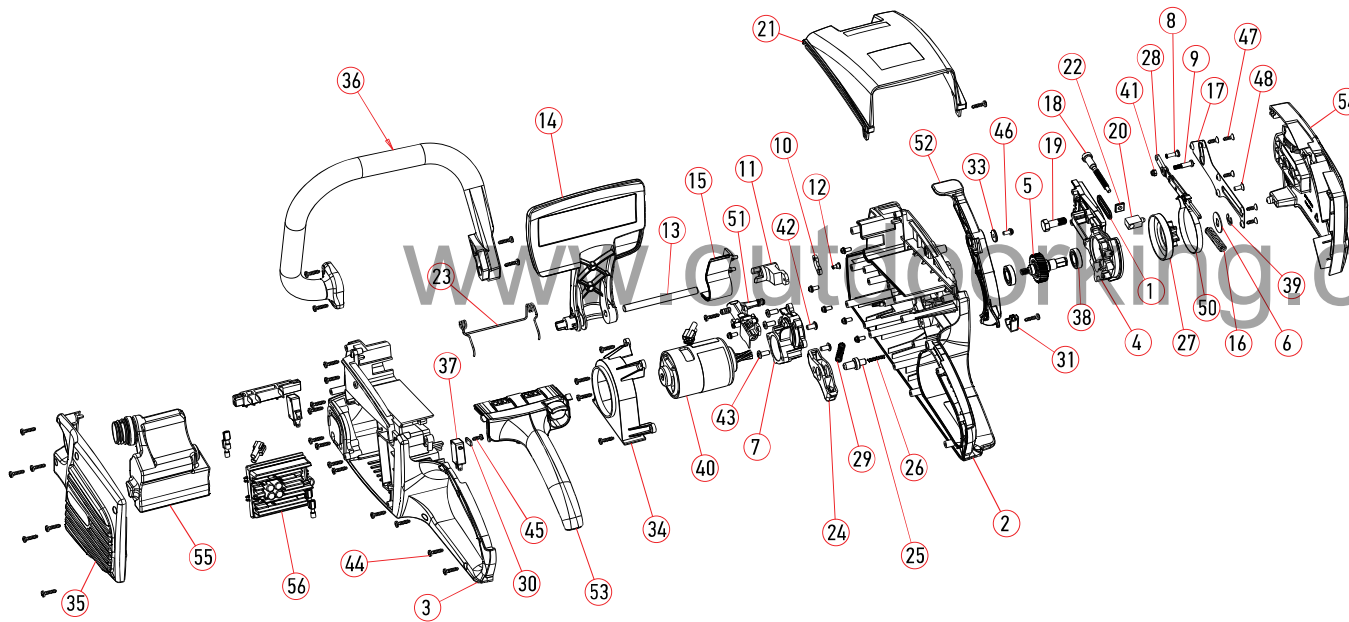


No.	Name	Kit Part Number	Quantity
1	O-ring, Bar Pad	546580	1
2	Case, Right	N/A	1
3	Case, Left	N/A	1
4	Chassis	N/A	1
5	Shaft, 31 Tooth	N/A	1
6	Shaft Washer, CS250/CS300	N/A	1
7	Gearbox	N/A	1
8	Brake Pin 2, CS250/CS300	N/A	1
9	Brake Pin 1, CS250/CS300	N/A	1
10	Brake Link 5, CS250/CS300	N/A	1
11	Brake Lever, CS250/CS300	N/A	1
12	Brake Pin 3, CS250/CS300	N/A	1
13	Handguard Axle	N/A	1
14	Handguard	N/A	1
15	Case, Handguard Insert	N/A	1
16	Brake Spring, CS250/CS300	N/A	1
17	Brake Cover Plate, CS250/CS300	549519	1
18	Tensioner Screw	546423	1
19	Bar Stud	549523	1
20	Tensioner Pin	N/A	1
21	Top Cover, CS250/CS300	N/A	1
22	Tensioner Retainer	N/A	1
23	Battery Eject Spring, CS250/CS300	549528	1
24	Trigger, Short Version	N/A	1
25	Button, Interlock	N/A	1
26	Interlock Button Spring, CS250/CS300	N/A	1
27	Sprocket, 3/8 Pitch	546622	1
28	Brake Link 4, CS250/CS300	N/A	1
29	Trigger Spring, CS250/CS300	N/A	1
30	Switch Capture Clamp, CS250/CS300	N/A	1
31	Powersharp Arm Retainer, CS250/CS300	546620	1
32	Powersharp Stone Holder, Integrated	546620	1
33	Powersharp Arm Washer, CS250/CS300	546620	1
34	Exhaust Shroud	549550	1
35	Motor Cover	N/A	1
36	Front Handle	N/A	1
37	Micro Switch, Jiaben	551298	2
38	Bearing, 24 x 12 x 16	N/A	2
39	E-clip, Output Shaft, CS250/CS300	N/A	1
40	Pmdc Motor	551320	1
41	Nut, M4	N/A	1
42	Screw, M3 x 0.8 x 10 mm, BH, Torx	N/A	2
43	Screw, M3 x 0.8 x 12 mm, BH, Torx	N/A	3
44	Screw, K40 x 16 BH, Torx	N/A	30
45	Screw, K40 x 10 BH, Torx	N/A	1
46	Screw, M4 x 0.7 x 10 mm, BH, Torx (Paw)	N/A	8
47	Screw, K40 x 12 CSh, Torx	N/A	5
48	Screw, M4 x 0.7 x 8 mm, CSH, Torx	N/A	1
49	Screw, M4 x 0.7 x 12 mm, PH, Slotted	N/A	2
50	Brake Linkage, CS250/CS300	N/A	1
51	Oil Pump	552426	1
52	Powersharp Arm Assembly, CS250/CS300	546620	1
53	Battery Release Handle Cap, CS250/CS300	N/A	1
54	Side Cover Assembly	546621	1
55	Oil Tank Assembly	552431	1
56	Controller	559294	1
	Bar (Not Shown)	140SDEA041	1
	Chain (Not Shown)	560607 NA, 566366 EU	1



CS250 Part Guide