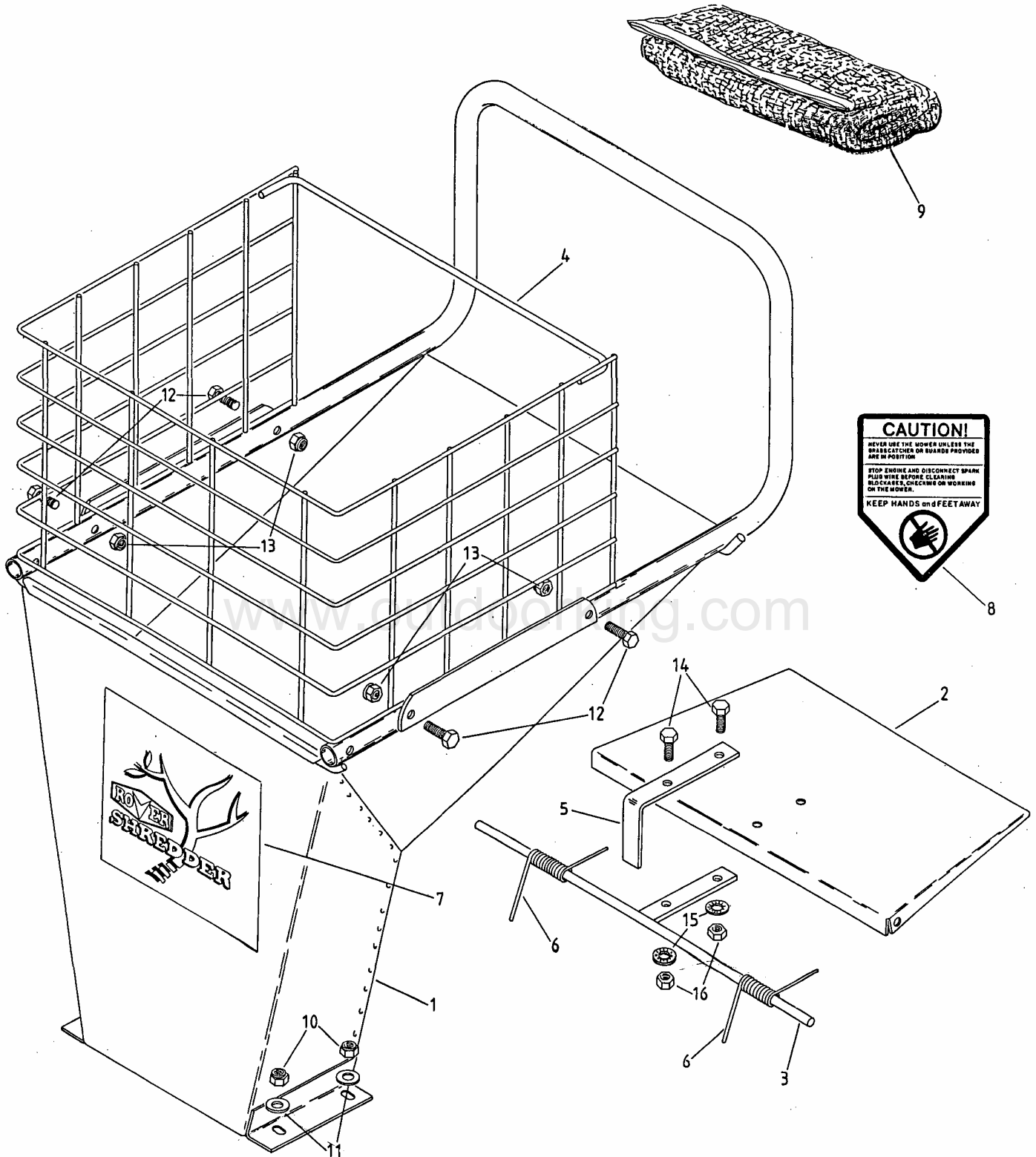




**MOWERS LIMITED**  
 GREAT SERVICE - GREAT FINISH  
 ABN 11 000 257 303

# SPARE PARTS VIEW

**Shredder**  
**Top Assembly**  
 SPV 15 Sheet 2



SHREDDER	DRG 2 OF 2
	SPV-15





MOWERS LIMITED  
GREAT STREET - GREAT FINISH  
ABN 11 000 257 303

# SPARE PARTS VIEW

**Shredder**  
**Top Assembly**  
SPV 15 Sheet 2

2 of 2

Item	Part	Description	Qty
	* Common Hardware item		
1	A10093	Chute assembly	1
2	A09585	Flap	1
3	A00754	Hinge assembly	1
4	A10011	Chute Mesh assembly	1
5	A09586	Flap handle	1
6	A09603	Flap spring	2
7	A09548	Decal- Shredder	1
8	A02571	Decal- Caution	1
9	A09563	Hessian bag	1
10	* A02223	Nyloc nut- 5/16" unc.hex	4
11	* A02030	Washer- 5/16" x 5/8" x 18g.flat	4
12	* 1213264	Bolt- 1/4" x 1-1/4" unf.HT.	4
13	* A02045	Nyloc nut- 1/4" unf.	4
14	* A02146	Setscrew- 1/4" x 3/4" unc.hex.	2
15	* A02044	Washer- 1/4" shakeproof	2
16	* A02001	Nut- 1/4" unc.hex.	2

[www.outdoorking.com](http://www.outdoorking.com)

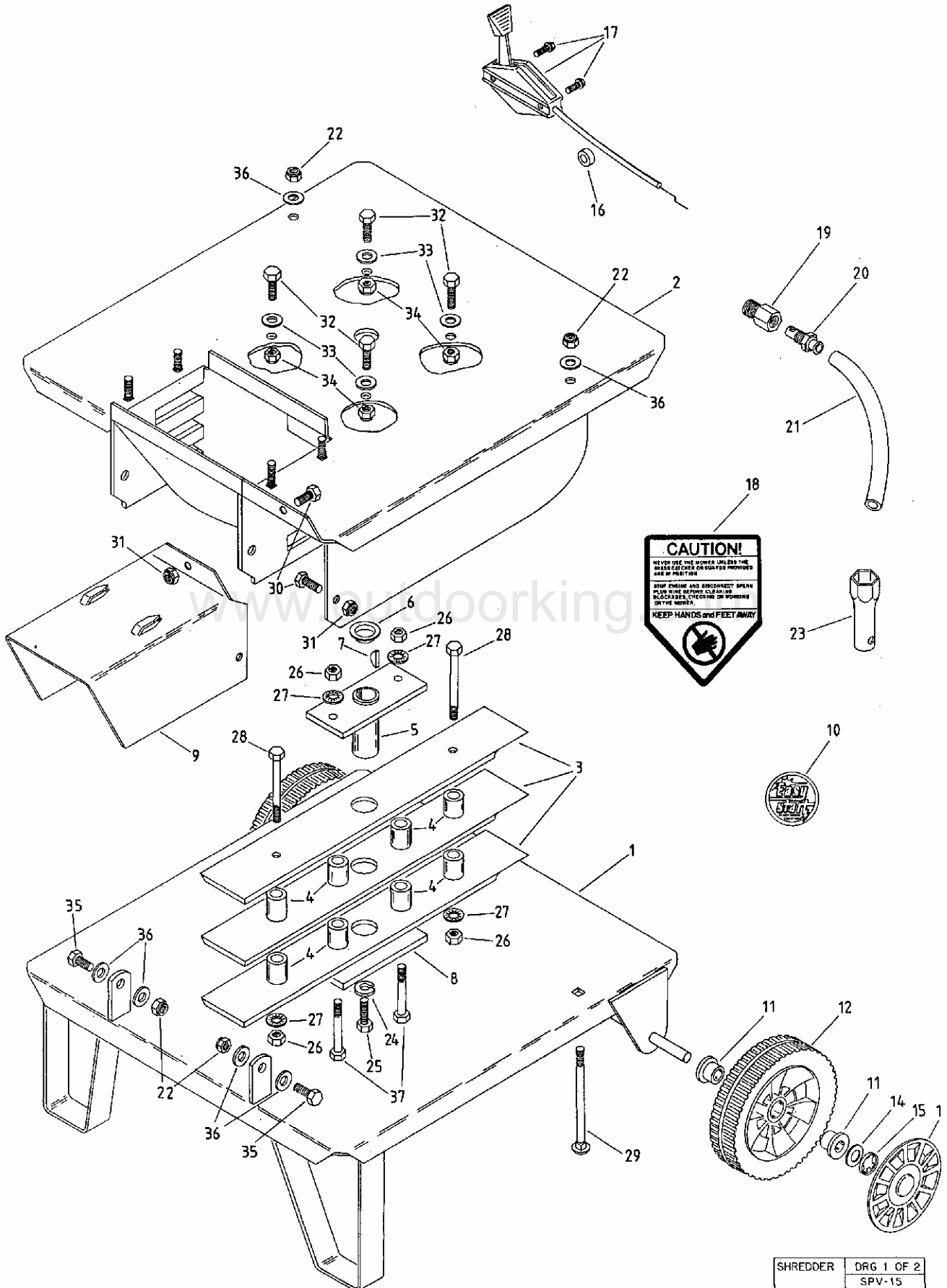




MOWERS LIMITED  
 GARDI STREET - GARDI PARKWAY  
 ABN 11 000 257 303

# SPARE PARTS VIEW

## Shredder Main Assembly SPV 15 Sheet 1



SHREDDER	DRG 1 OF 2
	SPV-15





MOWERS LIMITED  
GARIBDI STREET - GARIBDI PARKWAY  
ABN 11 000 257 303

# SPARE PARTS VIEW

## Shredder Main Assembly SPV 15 Sheet 1

2 of 2

Item	Part	Description	Qty
1	A10196	Base assembly	1
2	A00752	Shredding chamber assembly	1
3	A09601	Blade- 3 to a set	1
4	A09594	Spacer	8
5	A00760	Sleeve assembly	1
6	A09622	Seal	1
7	A02051	Woodruff key	1
8	A09596	Bottom plate	1
9	A09590	Discharge chute	1
10	A03268	Decal- Easy start	1
11	A03353	Wheel bearing	4
12	A03319	Wheel	2
13	A03327	Wheel cap- red	2
14	373109	Tension washer	2
15	A03092	Ratchet plate- Avdel 7301/0016	2
16	A02520	Spacer	1
17	A10180	Throttle control assembly	1
18	A02571	Decal- Caution	1
19	A06225	Drain cock body	1
20	A06158	Drain cock	1
21	A02315	Drain tube	1
22	* A02008	Nyloc nut- 3/8" unc.thin	2
23	A03518	Plug spanner	1
24	* A02036	Washer- 3/8" x 3/32" x 3/32" spring	1
25	* A02187	Setscrew- 3/8" 1-1/2" unf.HT.	1
26	* A02060	Nut- 3/8" unf.hex.	4
27	* A02034	Washer- 3/8" shakeproof	4
28	* A02121	Bolt- 3/8" x 3" unf.HT.	2
29	* A02276	Bolt- 3/8" x 5" unc.cuphead	2
30	* A02083	Setscrew- 5/16" x 3/4" unc.hex.	2
31	* A02223	Nyloc nut- 5/16" unc.	2
32	* 1213809	Bolt- 5/16 x 1-1/2" unf. HT.	4
33	* A02030	Washer- 5/16" x 5/8" x 18g.flat	4
34	* A02256	Nyloc nut- 5/16" unf.	4
35	* A02099	Setscrew- 3/8" x 1" unc.hex.	2
36	* A02033	Washer- 3/8" x 3/4" x 16g.flat	4
37	* A02278	Bolt- 3/8" x 3-3/4" unf.HT.	2
38	A00758	Blade assembly	1
39	A09608	Bush	1

