



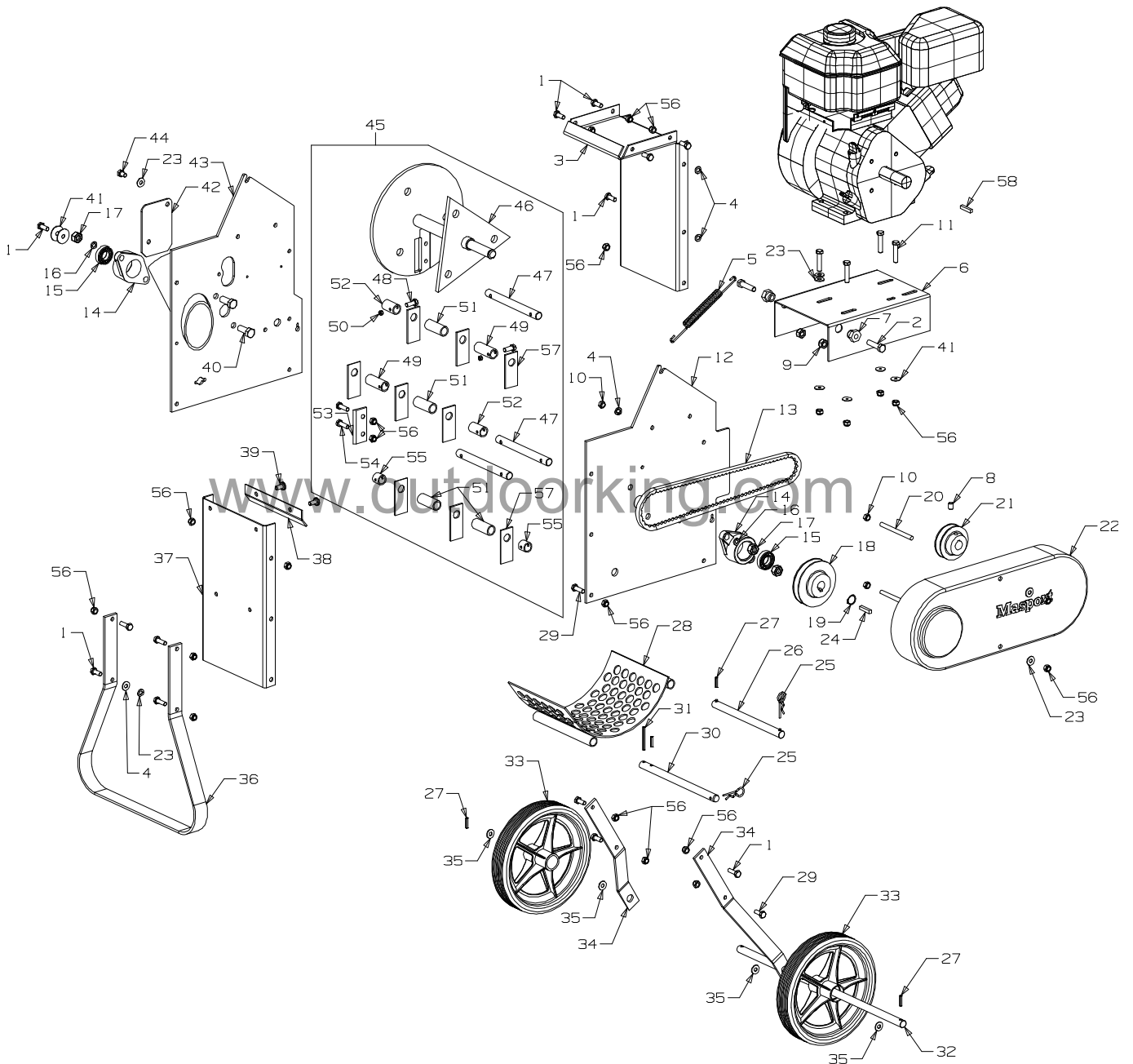
## CHIPPER SHREDDERS

# 5.0 HP Chipper Shredder

Part Numbers	Bio Wizz 5.0	936912
	Bio Wizz 5.0 Chute	936902

[www.outdoorking.com](http://www.outdoorking.com)  
From Serial Number 1239047

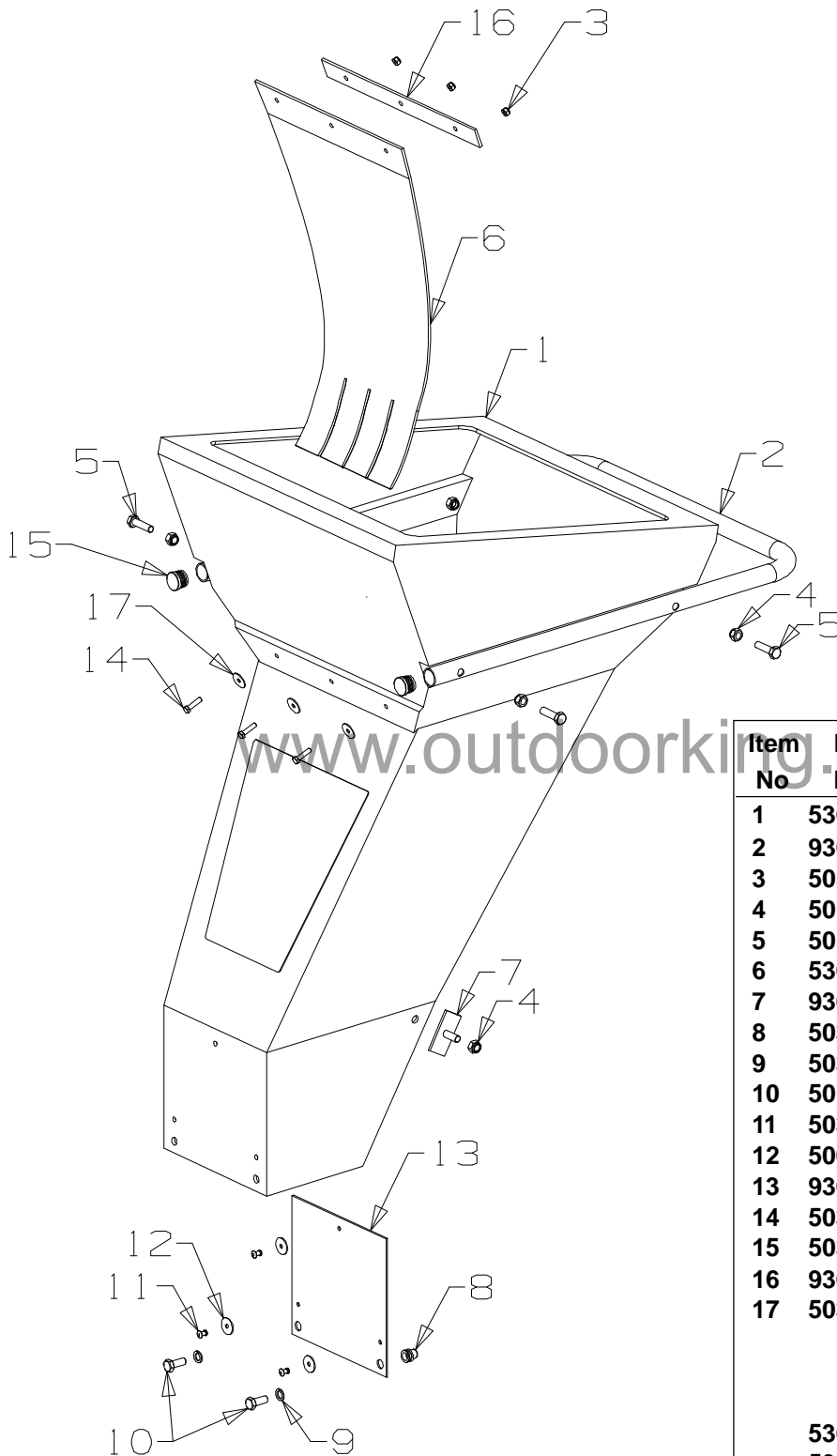






Item No	Part No	Description	Qty	Item No	Part No	Description	Qty
1	501597	Screw, Set M8 x 20 Hex	12	36	936031	Leg-"U", Front - Green P/C	1
2	503731	Bolt, Special M10 x 40	2	37	936018	Plate-Front - Green P/C	1
3	936020	Plate-Rear - Green P/C	1	38	936021	Plate-Stop	1
4	503747	Washer, Spring 8mm	10	39	503679	Screw, Pan M8 x 20	2
5	536008	Spring-Belt Tensioner	1	40	503728	Bolt, Special M12 x 30	4
6	936034	Plate-Mounting, Engine - Green P/C	1	41	503746	Washer, Flat 8 x 25 x 1.6	6
7	936035	Bush-Pivot, Engine	2	42	936005	Plate-Cover, Maintenance	1
8	503734	Screw, Grub UNC 3/8" x .50	1	43	936000	Plate Assy-Side, RH - Green P/C	1
9	501680	Nut, Nyloc M10	2	44	501863	Screw, Set M8 x 12	1
10	501602	Nut, M8	4	45	936032	<b>Cutter Assy-Belt Drive</b>	1
11	501843	Screw, Set M8 x 40	4	46	536026	• Rotor Assy-Belt Drive	1
12	936003	Plate-Side, LH - Green P/C	1	47	536029	• Rod Assy-Shredder	3
13	536116	Belt-V, A36	1	48	503678	• Bolt, M5 x 28 HEX	6
	503751	<b>Bearing-Complete</b>	2	49	536044	• Spacer-Blade, 21.3 x 51 - Drilled	2
14	503730	• Housing-Bearing	2	50	503511	• Nut, Nyloc M5	6
15	503729	• Bearing, Ball	2	51	536045	• Spacer-Blade, 21.3 x 51 - Plain	4
16	501759	SKF YAR 204-012-2RF Washer, Spring 12mm	4	52	536042	• Spacer-Blade, 21.3 x 36 - Drilled	2
17	501756	Nut, M12	4	53	536027	• Blade-Chipper - 75mm	1
18	536010	Pulley-Rotor, 3.5"	1	54	599501	• Screw, CSK M8 x 25	2
19	503680	Circlip, 18 Ext	1	55	536043	• Spacer-Blade, 21.3 x 18 - Drilled	2
20	536024	Stud-M8 x 100, Belt	2	56	501793	• Nut, Nlyoc M8 Hex (2)	23
21	536011	Pulley-Engine, 2.5"	1	57	536030	• Blade-Shredder	9
22	536015	Cover-Belt	1	58	536012	Key-Engine 3/16" x 3/16" x 38	1
23	501606	Washer, Flat 8 x 19 x 1.6	6			<b>NOT ILLUSTRATED</b>	
24	536064	Key-Engine 1/4" x 1/4" x 32	1		536115	Owner's Manual	1
25	536028	Clip-Hairpin, 3mm	2		536022	Decal - "Danger, Chipper Inlet"	1
26	936017	Rod-Shredder Plate, Rear	1		536023	Decal - "Danger, Discharge Opening"	1
27	503369	Pin, Tension 3/16" x 7/8"	4				
28	936033	Plate Assy - Shredder	1				
29	501598	Screw, Set M8 x 25	5				
30	936016	Rod-Shredder Plate, Front	1				
31	031290	Pin, Tension 3/16" x 2"	1				
32	936009	Axle-Rear	1				
33	536013	Wheel Assy-225mm	2				
34	936019	Support-Axle - Green P/C	2				
35	502017	Washer, Flat 16 x 35 x 1.6	4				

**Bold Text** = Assemblies  
**Bulleted Text** = Items included in Assemblies



Item No	Part No	Description	Qty
1	536058	Chute-Chipper - Black	1
2	936063	Handle-Chute - Black	1
3	503511	Nut, M5 Hex Nyloc	3
4	501793	Nut, M8 Hex Nyloc	6
5	501685	Screw, Set M8 x 30 Hex	4
6	536060	Flap-Chute, Rubber	1
7	936065	Retainer-Chute	2
8	503682	Nut, M8 Nutsert	2
9	503747	Washer, Spring 8mm	2
10	501597	Screw, Set M8 x 20 Hex	2
11	503660	Rivet-Pop, 4.8 Dia x 9.0	3
12	500848	Washer, Flat 3/16" x .5	3
13	936061	Plate-Protector, Front	1
14	503727	Screw, Set M5 x 20 Hex	3
15	503319	Plug-22mm - Plastic	2
16	936062	Plate-Kickback - Black	1
17	503512	Washer, Flat 5 x 22 x 1.5	3
<b>NOT ILLUSTRATED</b>			
	536066	Decal - "Danger"	1
	536025	Decal - "5.0 Bio Wizz"	1

**HEAD OFFICE - NEW ZEALAND**

1 - 37 Mt Wellington Hwy  
Panmure, Auckland 6  
Phone: (64 9) 571 1200  
Fax: (64 9) 571 5864