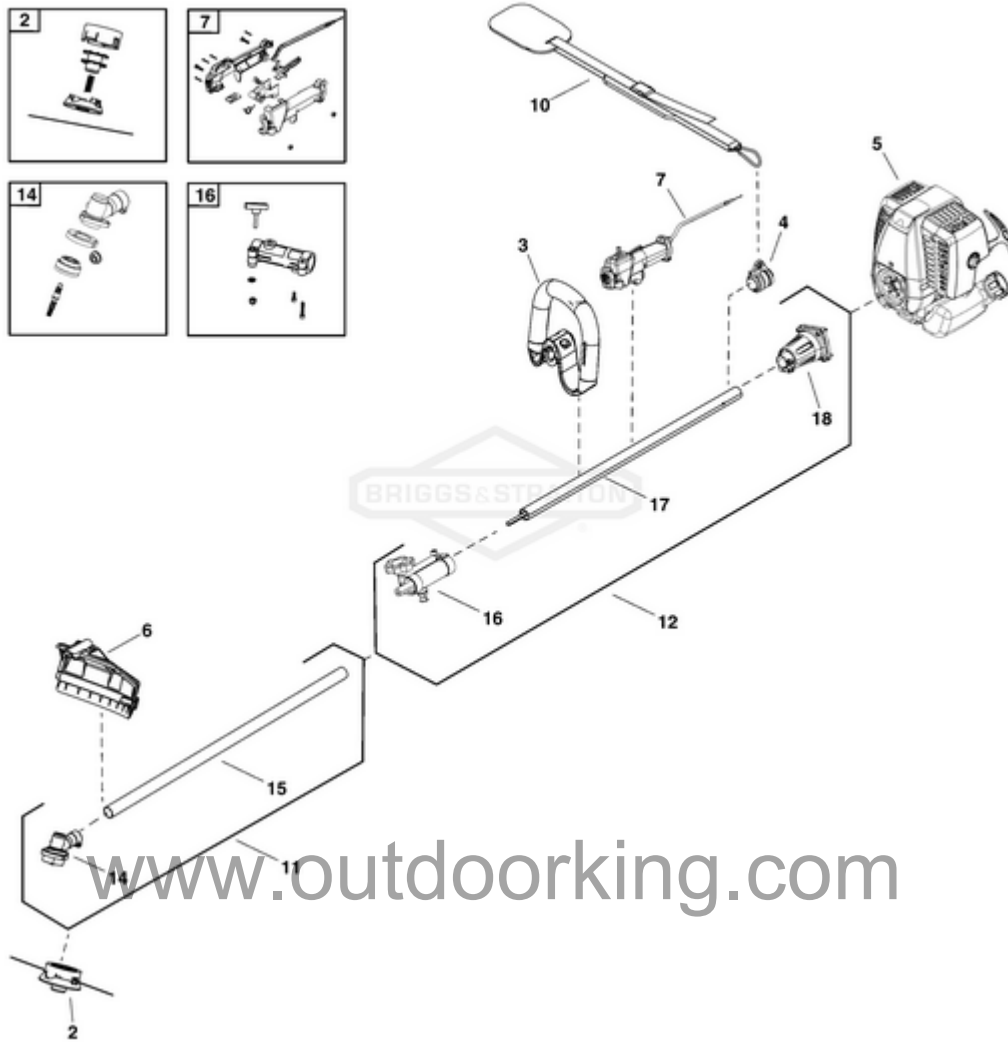


Ref #

Part #

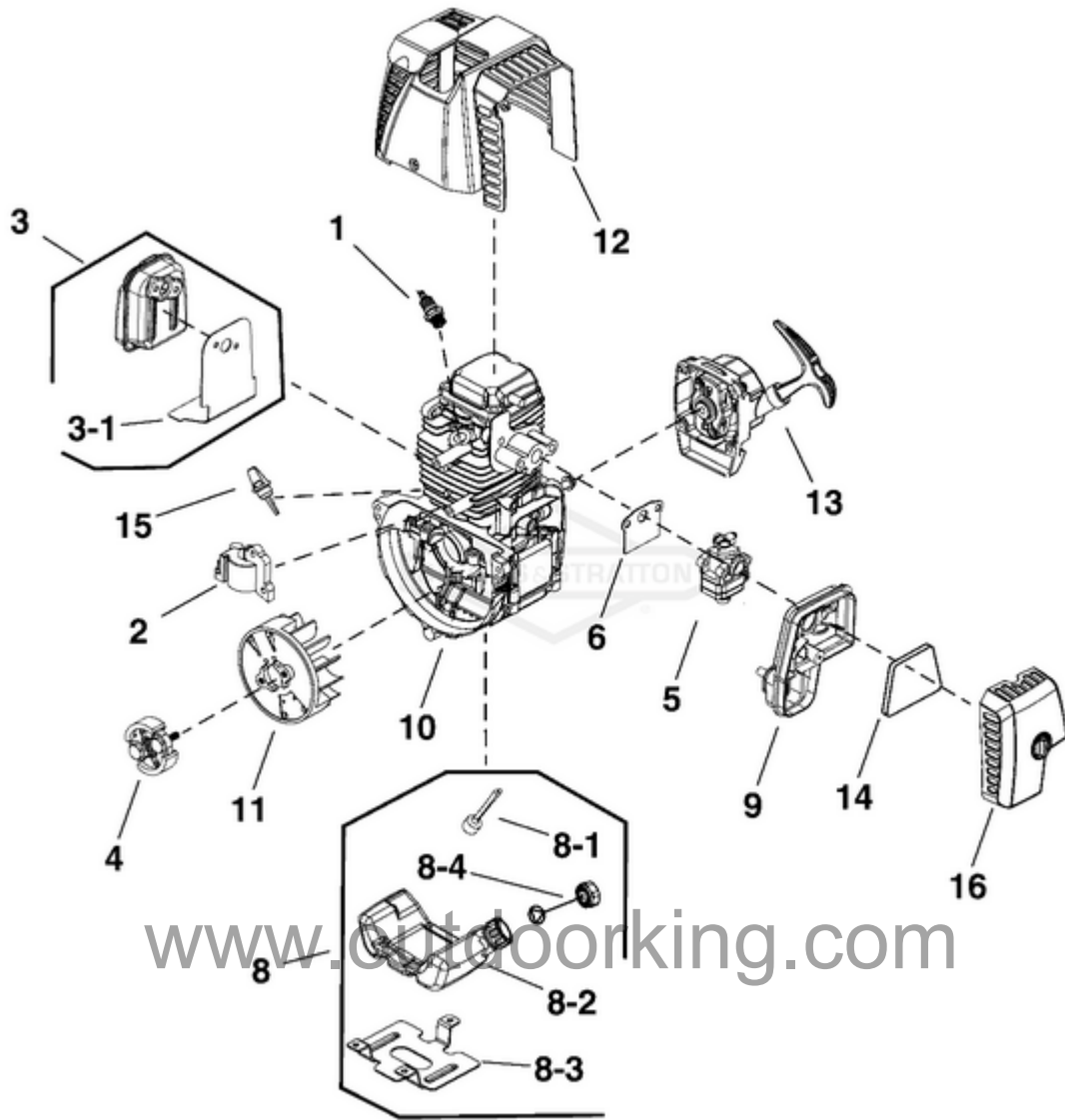
Description

Qty



<b>Ref #</b>	<b>Part #</b>	<b>Description</b>	<b>Qty</b>
2	BP50001R	BUMPHEAD DIATOP	1
3	TR02007A	HANDLE ASSEMBLY	1
4	TR02002A	STRAP CLAMP ASSEMBLY	1
5	TR02141A	ENGINE, 24.5CC 4T	1
6	TR02008A	GUARD ASSEMBLY	1
7	TR02006A	THROTTLE ASSEMBLY	1
10	TR02011A	SHOULDER HARNESS	1
11	TR02137A	LOWER DRIVE SHAFT ASSEMBLY	1
12	TR02138A	UPPER DRIVE SHAFT ASSEMBLY	1
14	TR02000A	GEAR BOX ASSEMBLY	1
15	TR02003A	LOWER SHAFT ASSEMBLY	1
16	TR02005A	COUPLING ASSEMBLY	1
17	TR02004A	UPPER SHAFT ASSEMBLY	1
18	TR02001A	CLUTCH HOUSING ASSEMBLY	1

[www.outdoorking.com](http://www.outdoorking.com)



www.outdoorworking.com

Ref #	Part #	Description	Qty	Context Note	Foot Note
1	TR02278A	SPARK PLUG TORCH CMR6A	1		
2	TR02267A	IGNITION UNIT ASSEMBLY	1		
3	TR02268A	MUFFLER ASSEMBLY	1	(Incl. Ref. Nos. 3-1	
3-1	TR02269A	MUFFLER GASKET KIT	1		
4	TR02271A	CLUTCH ASSEMBLY	1		
5	TR02262A	CARBURETOR ASSEMBLY	1		
6	TR02263A	CARBURETOR GASKET	1		
8	TR02272A	FUEL TANK ASSEMBLY	1	(Incl. Ref. Nos. 8-1 through 8-4)	
8-1	TR02273A	FUEL FILTER ASSEMBLY	1		
8-2	TR02274A	FUEL TANK	1		
8-3	TR02275A	BASE, FUEL TANK	1		
8-4	TR02153A	FUEL CAP ASSEMBLY	1		
9	TR02264A	INTAKE MANIFOLD ASSEMBLY	1		
10	TR02266A	SHORT BLOCK ASSEMBLY	1		
11	TR02270A	FLYWHEEL ASSEMBLY	1		
12	TR02279A	ENGINE COVER ASSEMBLY	1		
13	TR02265A	STARTER ASSEMBLY	1		
14	TR02151A	AIR FILTER	1		
15	TR02152A	OIL FIL CAP ASSEMBLY	1		
16	TR02261A	AIR FILTER COVER ASSEMBLY	1		