

# MORRISON

## BRUSH CUTTER

### BC 325- (S2)

Part Number BC 325 (S2) 552526

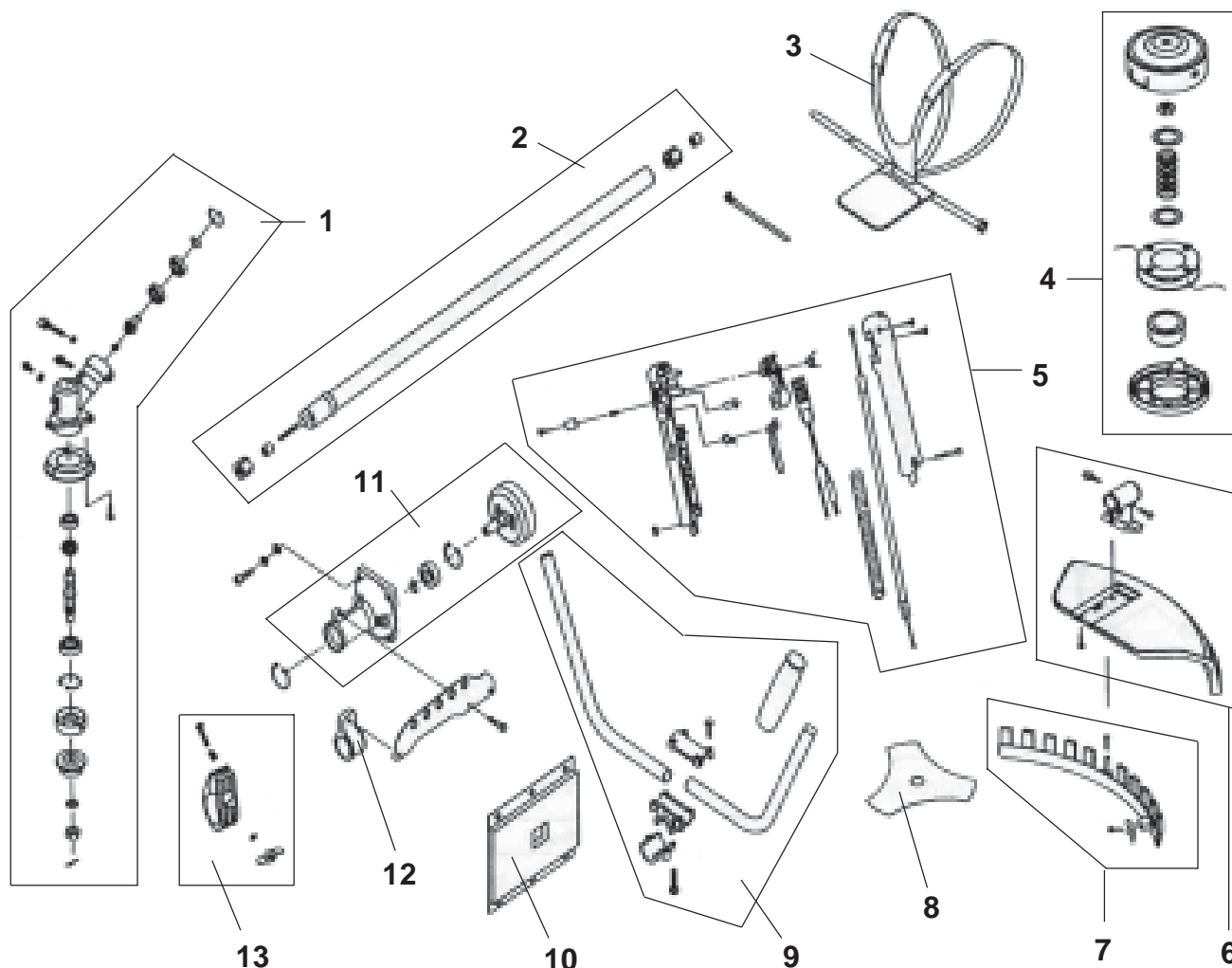
Market Introduction - August 2006





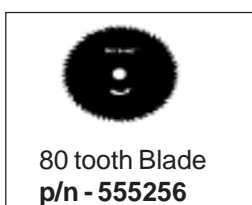
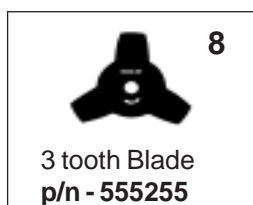
# MORRISON

LINE TRIMMER  
BC325 - S2



NOTE: New Manufacturer - 2006 Models - Series 2

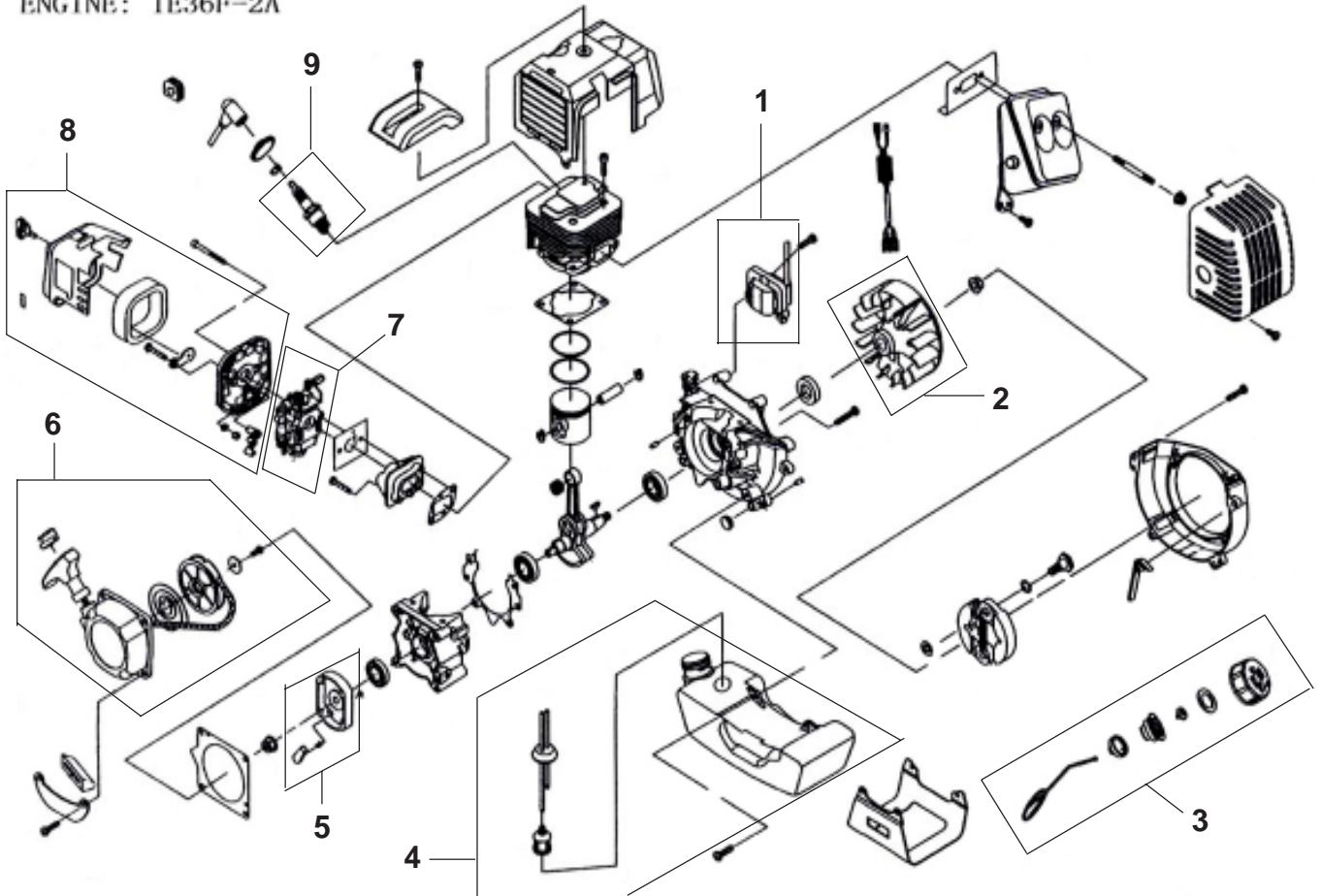
Item No	Part No	Description	Qty	Item No	Part No	Description	Qty
1	555838	Gear Case Assembly	1	9	555846	Handle Assembly	1
2	555841	Shaft Assembly	1	10	555845	Cushon, Harness	1
3	555842	Harness Assembly	1	11	555840	Clutch Assembly	1
4	555190	Bump Head Assembly	1	12	555847	Harness Ring Hanger	1
5	555843	Lever assembly	1	13	555839	Ring Clamp	1
6	555844	Guard Assembly	1			NOT ILLUSTRATED	
7	555601	Guard Skirt	1	554145		Owners Manual	
8	555255	3 Tooth Blade	1				



**For Details  
on Nylon -  
see page 4**



ENGINE: 1E36F-2A



Note : New Manufacturer 2006 Models - Series 2

Item No	Part No	Description	Qty	Item No	Part No	Description	Qty
1	555608	Ignition Coil Assembly	1	6	555610	Starter Assembly	1
2	555609	Flywheel Assembly	1	7	555611	Carburettor	1
3	555578	Petrol Cap	1	8	555574	Air-Cleaner Assembly	1
4	555607	Fuel Tank	1	9	555691	Spark Plug - NGK BPMR6A	1
5	555606	Pawls, Starter	1				



## TRICUT NYLON RANGE

<b>556970</b>	1/2lb Nylon - 0.80 x 180 foot
<b>556973</b>	1lb Nylon - 0.80 x 355 foot
<b>556977</b>	1lb Nylon Spool - 0.80 x 355 foot
<b>556981</b>	3lb Nylon Spool - 0.80 x 1065 foot
<b>556985</b>	5lb Nylon Spool - 0.80 x 1780 foot



## ROUND NYLON RANGE

<b>600045-00</b>	Nylon - 0.80 x 50 foot
<b>600052-00</b>	1/2lb Nylon - 0.80 x 200 foot
<b>600061-00</b>	1lb Nylon Donut - 0.80 x 400 foot
<b>600069-00</b>	1lb Nylon Spool - 0.80 x 400 foot
<b>600077-00</b>	3lb Nylon Spool - 0.80 x 1205 foot
<b>600085-00</b>	5lb Nylon Spool - 0.80 x 2010 foot