

Masport®

CHIPPER SHREDDERS

5.0 HP Chipper Shredder

Part number
536936

Model
Chipper Shredder GRN 5.0

Engine
Honda GX 160

Date and Year of Manufacture: August 2012
Serial number starting from: 7653227

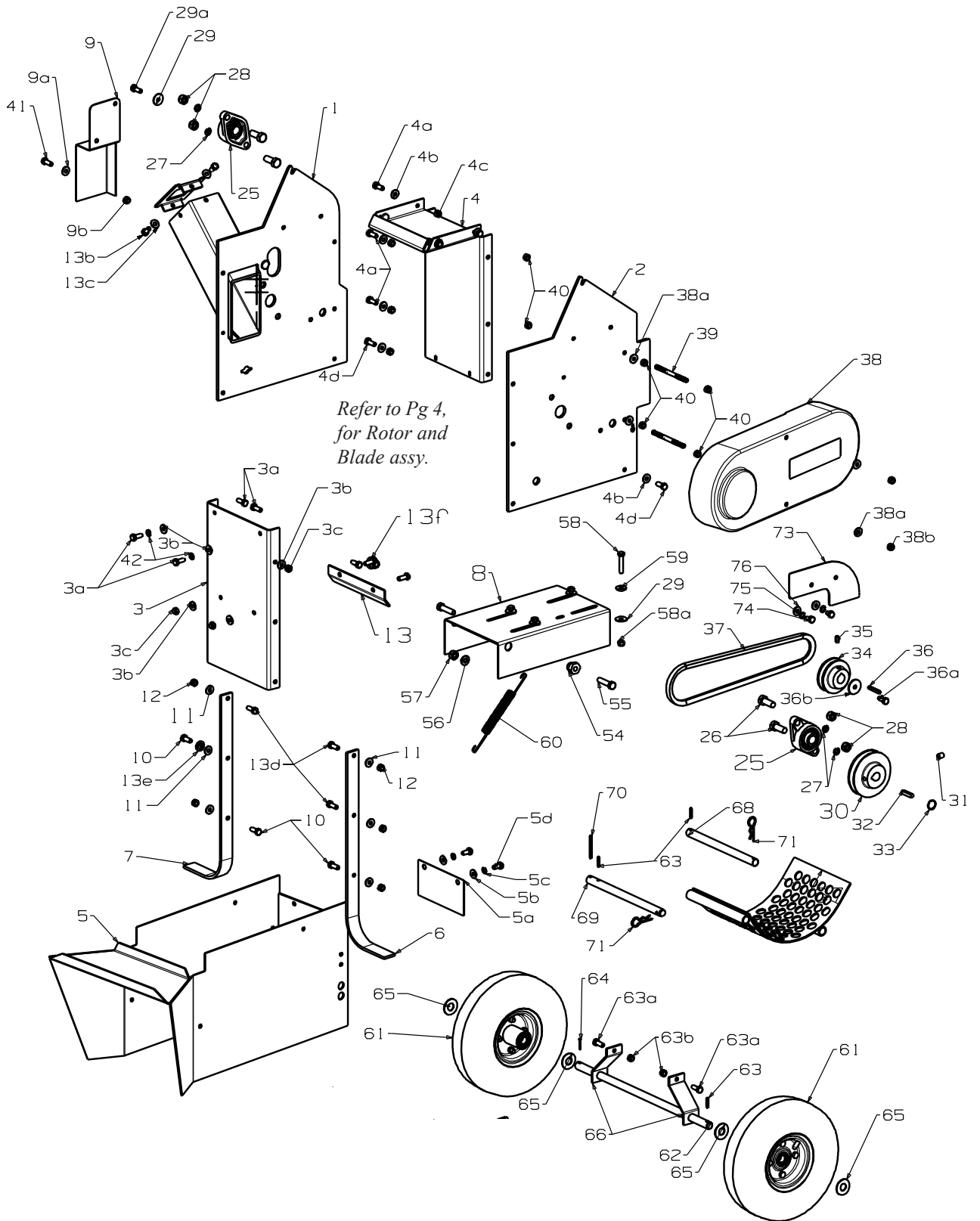




Masport 5.0
Powered By: Honda GX160

Masport®

Issue A.0
May 2013 BH
REF # 736936/S





Masport 5.0
Powered By: Honda GX160

Masport®

Issue A.0
May 2013 BH
REF # 736936/S

Item No	Part No	Description	Qty	Item No	Part No	Description	Qty
1	936378	Plate Assy-Side, RH Euro Grn	1	37	536342	Belt- V, A889	1
2	936003	Plate- Side, LH Grn	1	38	536015	Cover-Belt	1
3	936018	Plate- Front, Grn	1	38a	501606	Washer, Flat 8 x 19 x 1.6	4
3a	501597	Screw, Set M8 x 20 Hex	4	38b	501793	Nut, Nlyoc M8 Hex	2
3b	501606	Washer, Flat 8 x 19 x 1.6	6	39	536024	Stud- M8 x 100, Belt Cover	2
3c	501793	Nut, Nlyoc M8 Hex	4	40	501602	Nut, M8 Hex	6
4	936556	Plate- Rear, Grn	1	41	501597	Screw, Set M8 x 12 Hex	1
4a	501597	Screw, Set M8 x 20 Hex	5	42	503747	Washer, Spring 8mm	2
4b	501606	Washer, Flat 8 x 19 x 1.6	4	54	936035	Bush- Pivot, Engine	2
4c	501793	Nut, Nlyoc M8 Hex	7	55	503731	Bolt, Hex Special M10 x 40	2
4d	501598	Screw, Set m8x25	2	56	501704	Washer, Flat 10 x 19 x 1.6	2
5	936073	Chute- Discharge, Euro Grn	1	57	501680	Nut, M10 Hex Nyloc	2
5a	536323	Plate-Safety, Discharge	1	58	501843	Screw, Set M8 x 40 Hex	4
5b	501606	Washer, Flat 8 x 19 x 1.6	2	58a	501793	Nut, Nlyoc M8 Hex	4
5c	503747	Washer Spg, 8	2	59	503872	Washer, Flat 8 x 20 x 3.0	4
5d	501571	Screw, Set M8x16HT8.8	2	60	536008	Spring- Belt Tensioner	1
6	936078	Leg- Front, LH Euro Grn	1			__==__	
7	936079	Leg- Front, RH Euro Grn	1	61	536228	Wheel Assy- 10" BL Pneu	2
8	936034	Plate- Mount, Engine Grn	1	62	936230	Axle- Rear, Euro	1
9	936117	Plate- Cover, Mntnace/Brg Grn	1	63	503369	Pin, Tension 5.0 x 25	3
9a	501606	Washer, Flat 8 x 19 x 1.6	1	63a	501597	Screw, Set M8 x 20 Hex	2
9b	501793	Nut, Nlyoc M8 Hex	1	63b	501793	Nut, Nlyoc M8 Hex	2
10	501597	Screw, Set M8 x 20 Hex	3	64	500029	Pin, Cotter 4.0D x 25	1
11	501606	Washer, Flat 8 x 19 x 1.6	6	65	502017	Washer, Flat 16 x 32 x 1.6	4
12	501793	Nut, Nlyoc M8 Hex	6	66	936080	Support-Axle, Euro Grn	2
13	536021	Plate-Stop	1	67	536371	Plate Assy, Shredder	1
13a	536375	Restrictor-infeed Tube	1	68	936017	Rod- Shredder Plate, Rear	1
13b	501715	Screw, Set M8x15x1mm	2	69	936016	Rod-Shredder Plate, Front	1
13c	501606	Washer, Flt 8x19x1.6	2	70	031290	Pin, Tension 5.0 x 50	1
13d	501598	Screw, SET M8 x 25	3	71	536028	Clip-Hairpin, 3mm	2
13e	503747	Washer Spg, 8	1	74	501865	Screw, Set M8x12	2
13f	501597	Screw, Set M8 x 20 Hex	2	73	536324	Plate-Safety,Engine	1
		__==__		75	503747	Washer, SPG 8	2
25	503751	Bearing-Complete,Incl Bearing, SKF YAR 204-012-2RF	2	76	501606	Washer, FLT 8x19x1.6	2
26	503728	Bolt, Hex M12 x 30 Special	4			NOT ILLUSTRATED	
27	501759	Washer, Spring 12mm	4	536553	Decal, Caution Guard C-shre		2
28	501756	Nut, M12 Hex	4	536389	Decal, Chute Safety shre		1
29	503746	Washer, Flat 8 x 25 x 1.6	5	536126	Decal, Danger Chipr Inlet		1
29a	502105	Screw, Cap M8x20 Allen	1	536127	Decal, Danger Discharg		1
30	536010	Pulley- Rotor, 3.5"	1	536390	Decal, Noise Chp Shrd		1
31	503734	Screw, Grub UNC 3/8" x .5	1	536203	Decal, Twin blade system		1
32	536064	Key- Engine 1/4" SQ x 32	1				
33	503680	Circlip, 19 Ext	1				
34	536263	Pulley- Engine,20Bx73Dx33.6	1				
35	503970	Screw, Grub UNC 5/16" x .5	1				
36	536264	Key-Engine Honda	1				
36a	501597	Screw,Set M8x20 ZP	1				
36b	572199	Washer, FLT 8x32x2.0	1				

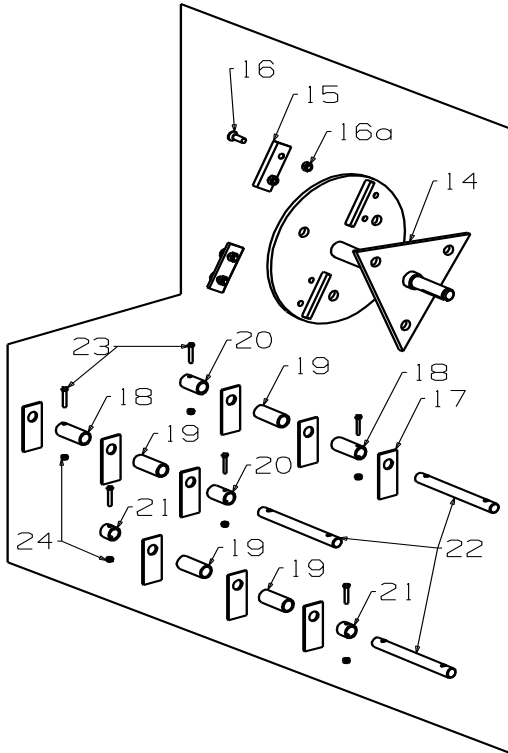


Masport 5.0
Powered By: Honda GX160

Masport®

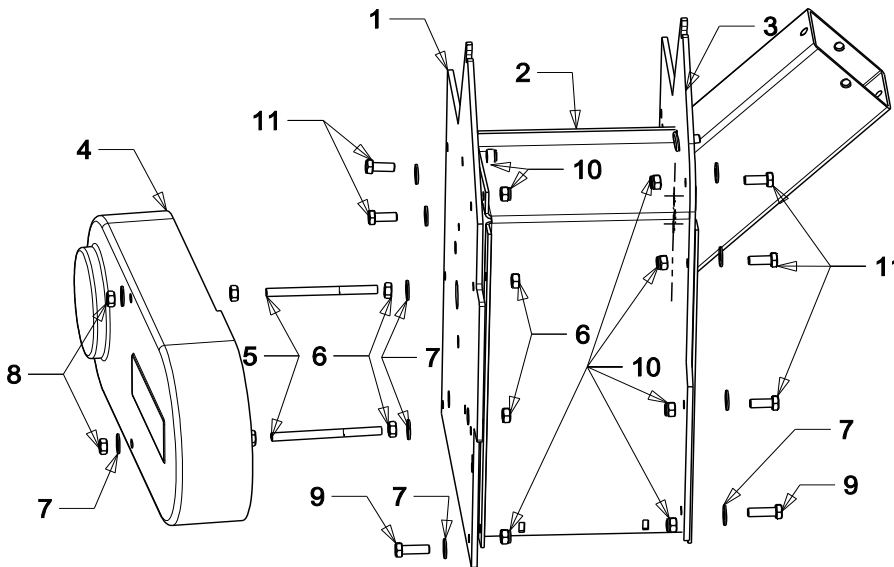
Issue A.0
May 2013 BH
REF # 736936/S

ROTOR ASSEMBLY



Item No	Part No	Description	Qty
14	536195	Rotor Assy- Belt Drive	1
15	536027	Blade-Chipper - 75mm	2
16	599501	Screw, CSK M8 x 25	4
16a	501793	Nut, M8 Hex Nylocx 8 thck	4
17	536030	Blade- Flail, Shredder	9
18	536044	Spacer- Blade, 21.3 x 51 Drilled	2
19	536045	Spacer-Blade, 21.3 x 51- Plain	4
20	536042	Spacer-Blade, 21.3 x 36- Drilled	2
21	536043	Spacer-Blade, 21.3 x 18- Drilled	2
22	536029	Rod Assy- Shredder	3
23	503678	Bolt, M5 x 28 HEX	6
24	503511	Nut, Nyloc M5	6

NOT ILLUSTRATED
536388 Owner's Manual 1



Item No	Part No	Description	Qty	Item No	Part No	Description	Qty
1	936003	Plate-Side, LH Grn	1	7	501606	Washer Flat 8x19x1.6	11
2	936556	Plate Rear, Grn	1	8	501793	Nut nyloc m8 hex	2
3	936378	Plate Assy-RH Euro Grn	1	9	501598	Screw Set m8x25	2
4	536015	Cover Belt	1	10	501793	Nut, nyloc M8 Hex	7
5	536024	Stud-M8x100, Belt Cover	2	11	501597	Screw Set m8x20	5
6	501602	Nut, M8 Hex	6				

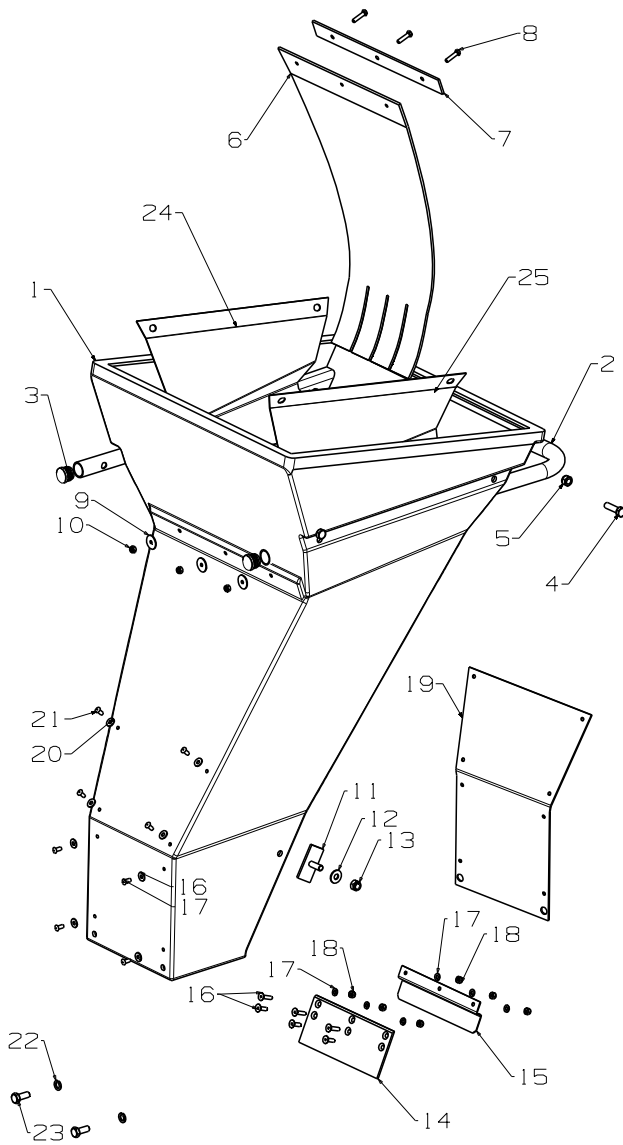


Masport 5.0
Powered By: Honda GX160

Masport®

Issue A.0
May 2013 BH
REF # 736936/S

536940 CHUTE ASSY - SHREDDER MASPORT



Item No	Part No	Description	Qty
1	536058	Chute- Shredder, Euro Black	1
2	936285	Handle- Chute, Blk	1
3	503319	Plug- 22mm, Plastic	2
4	501716	Screw, Set M8 x 35 Hex	4
5	501793	Nut, M8 Hex Nyloc	4
6	536376	Flap- Chute, Rubber	1
7	536377	Plate- Kickback, Black	1
8	503727	Screw, Set M5 x 20 Hex	3
9	503512	Washer, Flat 5 x 22 x 1.5	3
10	503511	Nut, M5 Hex Nyloc	3
11	536065	Retainer-Chute	2
12	501606	Washer, Flt 8 x 19 x 1.6	2
13	501793	Nut, M8 Hex Nyloc	2
14	536315	Plate- Protector, Back	1
15	536316	Bracket- Protector, Back	1
16	503983	Screw, CSK M5 x 16	6
17	501330	Washer, Flt 5 x 10 x 1.0	6
18	503511	Nut, M5 Hex Nyloc	6
19	536061	Plate-Protector, Front	1
20	500848	Washer, Flt 3/16 x .5 x .039	8
21	503660	Rivet-Pop, 4.8 Dia x 9.0	8
22	501606	Washer, Flt 8 x 19 x 1.6	2
23	501598	Screw, Set M8 x 25 Hex	2
24	536386	Plate Restrictor Infeed RH	1
25	536387	Plate Restrictor Infeed LH	1
		NOT ILLUSTRATED	
	503682	Nut, M8 Nutsert	2