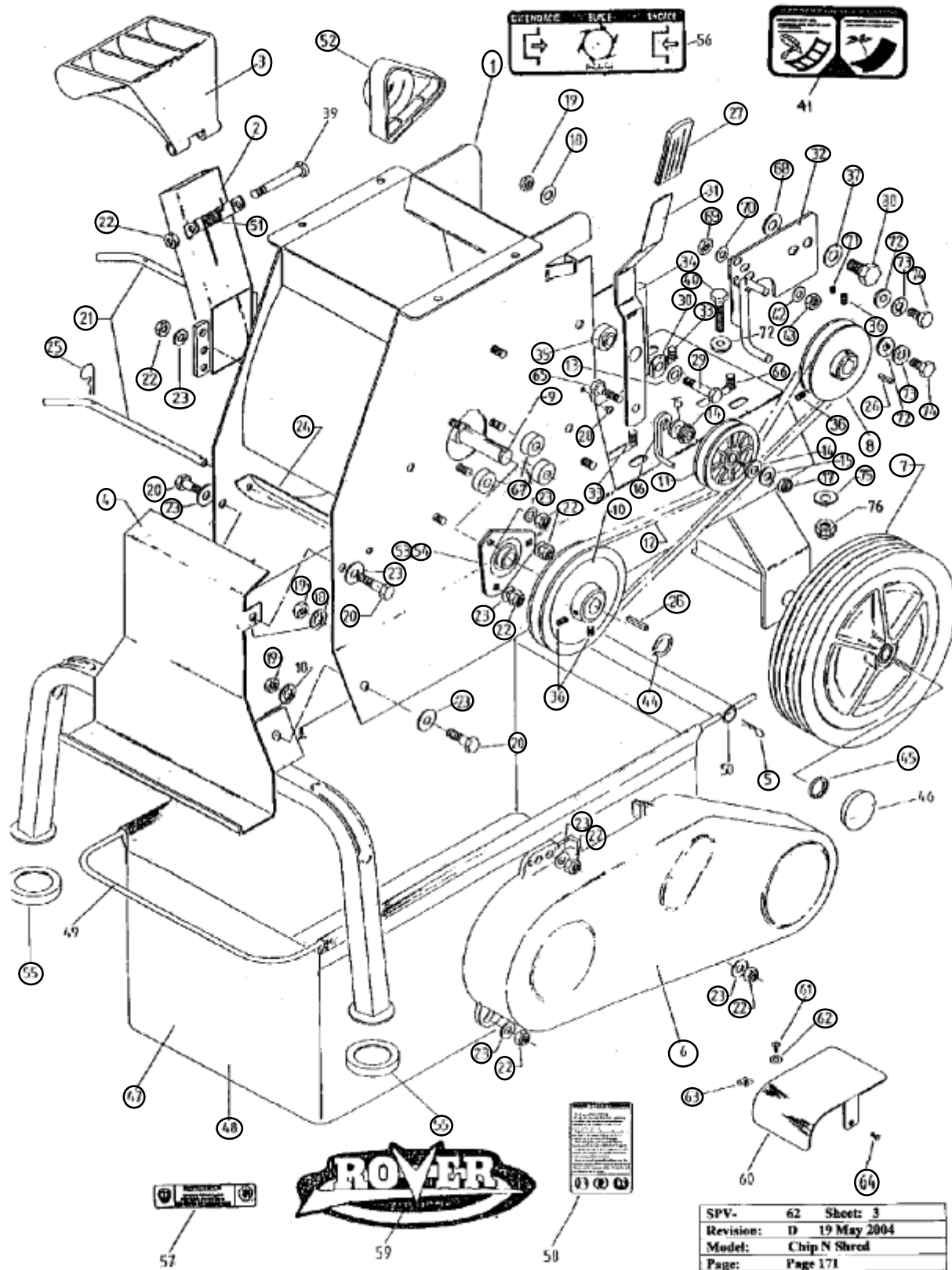


Click on number for pricing



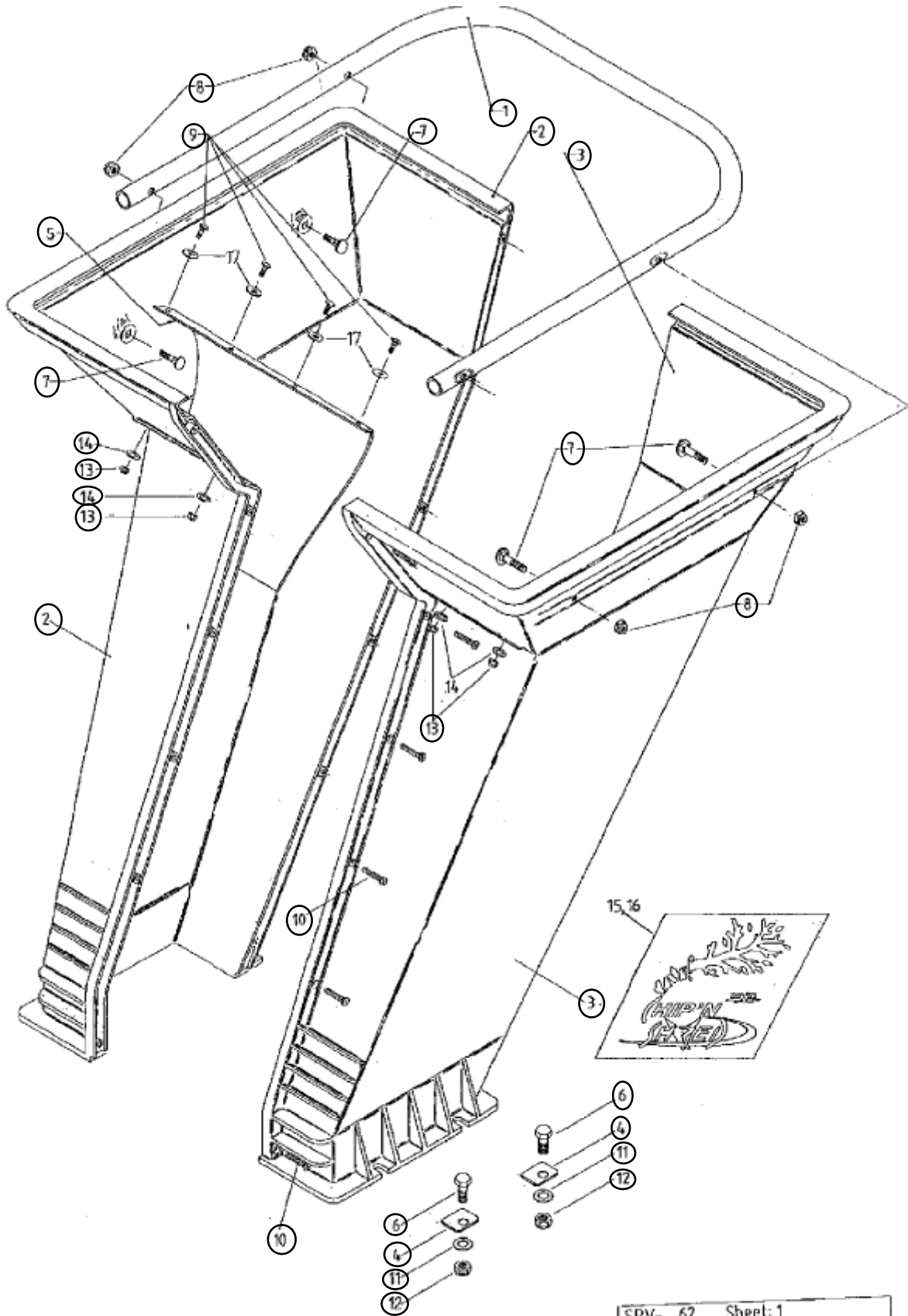
Click on number for pricing

Ref #	Part #	Description	Note	Qty Min Order
1	A10480	Chassis assembly		1
2	A10483	Chipper tube assembly		1
3	A09162	Cover- Chipper tube		1
4	A10482	Support bracket assembly		1
5	A01080	Spring clip		1
6	A09124	Belt guard		1
7	A09118	Wheel		1
8	A09121	Engine pulley		1
9	A09116	Rotor shaft		1
10	A09122	Rotor pulley		1
11	A08585	Jockey pulley		1
12	A09123	Belt		1
13	A02012	Washer-5/16"x 7/8" x 18g.flat		1
14	A02474	Bearing bush		1
15	A02033	Washer- 3/8" x 3/4" x 16g.flat		1
16	A07805	Belt guide		1
17	A02008	Nyloc nut- 3/8" unc.		1
18	A02031	Washer- 5/16" shakeproof		1
19	A02004	Nut- 5/16" unc.		1
20	A02028	Setscrew-5/16"x5/8" unc. w/f.		1
21	A09120	Screen rod		1
22	A02223	Nyloc nut- 5/16" unc.		1
23	A02030	Washer-5/16"x 5/8" x 18g.flat		1
24	A09115	Screen		1
24	A10493	Bar screen assembly		1
25	A09141	Spring clip		1
26	A12464	Key		1
27	A03250	Handle grip		1
28	A04015	Rivet- 73 SS 5-3		1
29	A1213809	Bolt- 5/16" x 1-1/2" unf.HT		1
30	A01025	Tension Washer		1
31	A09140	Clutch lever		1
32	A10495	Belt keeper assembly		1
33	A02127	Taptite-3/8"x16 x 1.0 ind.hex.		1
34	A09145	Finger guard		1
35	A09142	Pivot		1
36	A02080	Grub screw- 5/16" x 1/2" unc.		1
37	A02063	Washer- 1/2" x 1" x 16g.flat		1
38	A02129	Setscrew- 1/2" x 3/4" unf.		1
39	A04020	Bolt- 5/16" x 4" unc.		1
40	A121380	Bolt-5/16"x1-1/2"unfHT-5.5hp		1
41	A16375	Label- screen selection		1
42	A02209	Washer- 1/4" x 5/8" x 18g.flat		1
43	A02235	Nyloc nut- 1/4" unc thin		1
44	A02289	Circlip		1
45	A02103	Ratchet plate		1
46	A09154	Hub cap		1
47	A10491	Mulch catcher assembly	incl. 5,47,48,49,50,	1
48	A09158	Mulch bag		1

Click on number for pricing

Ref #	Part #	Description	Note	Qty Min Order
49	A09159	Frame		1
50	A09160	Spreader tube		1
51	A09168	Spring- chipper tube		1
52	A09169	Rotor shaft cover		1
53	A09136	Bearing- rotor shaft		1
54	A09137	Flangette- rotor shaft bearing		1
55	A09172	Foot		1
56	A09164	Label - Rotor Clutch lever	NLA	1
57	A09163	Label-Warning hopper&chute	NLA	1
58	A09165	Label- Instructions	NLA	1
59	A12507	Label- Rover	NLA	1
60	A09176	Muffler shield (5 hp only)	NLA	1
61	A02163	Screw-1/2"x3/16"mush.head		1
62	A02216	Washer-3/16x1/2"x20g.flat		1
63	A02002	Speed nut-3/16" (5hp only)		1
64	A04052	Screw-10x5/8"self tapper-5hp		1
65	A02229	Setscrew- 3/8" x 2" unc.		1
66	A02127	Taptite-3/8"x16x1.0 ind.Hex		1
67	A09146	Spacer		1
68	A02063	Washer-1/2"x1"x16g.flat-5hp		1
69	A02001	Nut- 1/4" unc. - 5hp		1
70	A02209	Washer-1/4"x5/8"x18g.flat		1
71	A04075	Grub screw-1/4"x3/8"knurlpoint		1
72	A02030	Washer-5/16"x5/8"x18g.flat		1
73	A02031	Washer-1/16" Shakeproof		1
74	A318210	Setscrew-5/16"x5/8"unf.hex		1
75	A02012	Washer-5/16"x7/8"x16g.flat		1
76	A02256	Nyloc Nut-5/16"unf	NLA	1

Click on number for pricing

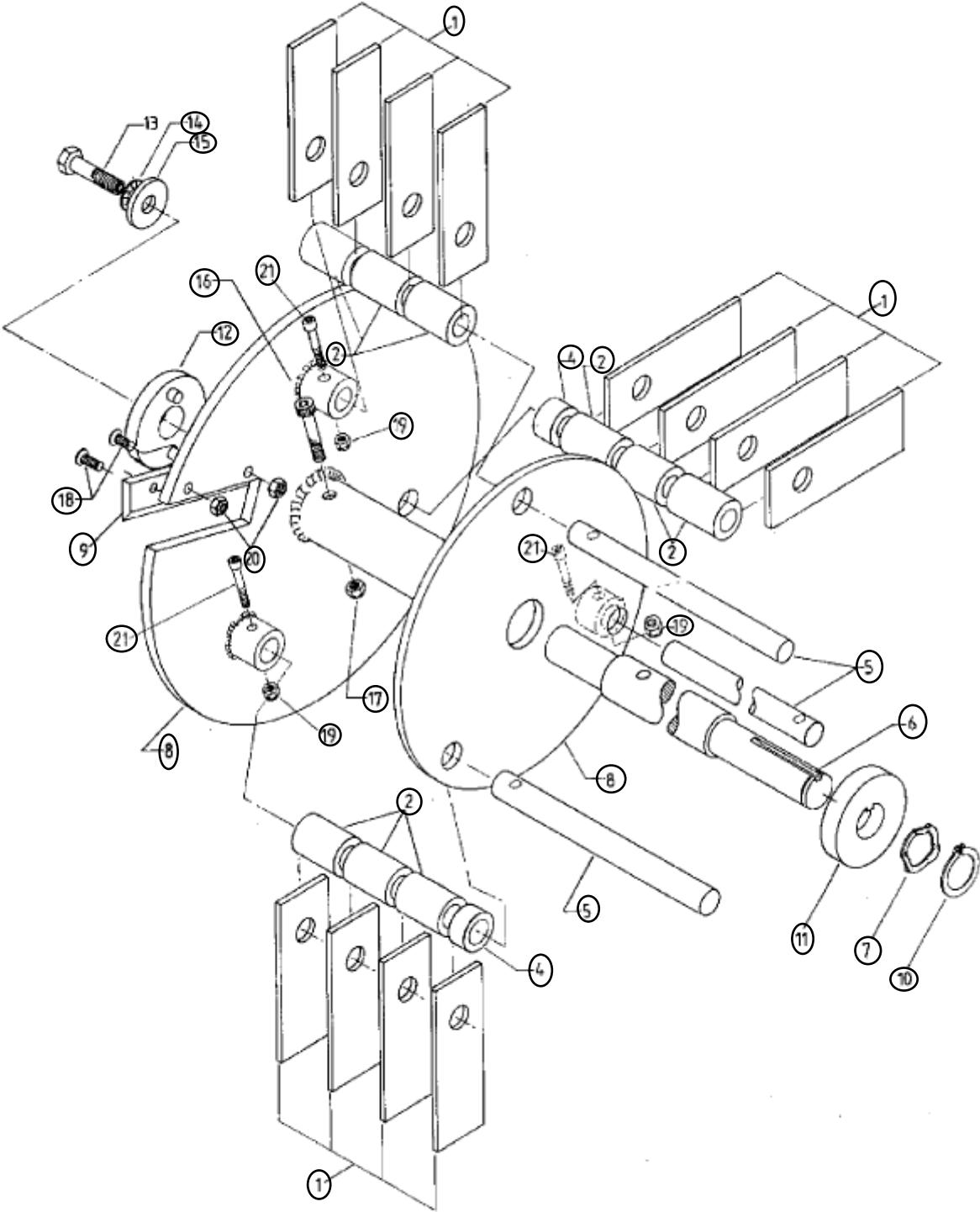


SPV- 62 . Sheet: 1
Rev. A 08/11/1999
Model: Chip' N Shred -09858, 09859
Page:

Click on number for pricing

Ref #	Part #	Description	Qty Min Order
1	A09131	Handle	1
2	A09130	Hopper body- RH	1
3	A09129	Hopper body- LH	1
4	A09139	Washer - hopper	1
5	A09133	Baffle	1
6	A04014K	Setscrew- 5/16" x 1" unc.	1
7	A04079K	Bolt- 1/4" x 1-1/4" unc.cuphead	1
8	A02235K	Nyloc nut- 1/4" unc	1
9	A04080K	Screw- 3/16" x 5/8" mush.head	1
10	A04083K	Screw- 10 x 3/4" pan phillips head	1
11	A02030K	Washer- 5/16" x 5/8" x 18g.flat	1
12	A02223K	Nyloc nut- 5/16" unc.	1
13	A02193K	Nyloc nut- 3/16" unc.	1
14	A02216K	Washer- 3/16" x 1/2" x 20g.flat	1
15	A09174	Label- Chute RH <span style="color: red;">NLA</span>	1
16	A09175	Label- Chute LH <span style="color: red;">NLA</span>	1
17	A04099K	Washer- 3/16 x 3/4" x 16g.flat <span style="color: red;">NA</span>	1

Click on number for pricing



Click on number for pricing

Ref #	Part #	Description	Context Note	Qty Min Order
1	A09111	Flail		1
2	A09184	Flail spacer- 28mm		1
4	A09185	Flail spacer- 7mm		1
5	A09186	Flail bar		1
6	A09116	Rotor shaft		1
7	A09157	Wave washer		1
8	A10509	Rotor assembly -	(incl. 1,2,4,5,8,9,18,19,20,21)	1
9	A09107	Chipper blade		1
10	A02289	Circlip		1
11	A09144	Collar		1
12	A09126	Seal plate		1
13	A02110	Setscrew- 3/8" x 1" unf.ht	Hardware	1
14	A02034	Washer- 3/8" shakeproof		1
15	A09125	Washer- special		1
16	A121434	Bolt- 3/8" x 1-3/4" unf.HT		1
17	A02220	Nyloc nut- 3/8" unf.		1
18	A04081	Capscrew- 5/16" x 1" unc.HT.csk		1
19	A02193	Nyloc nut- 3/16" unc.		1
20	A02223	Nyloc nut- 5/16" unc.		1
21	A04082	Bolt- 3/16" x 1-1/4" unc.HT.		1